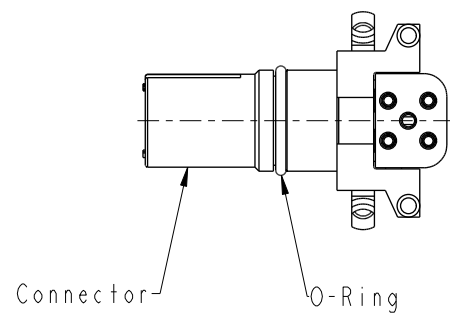
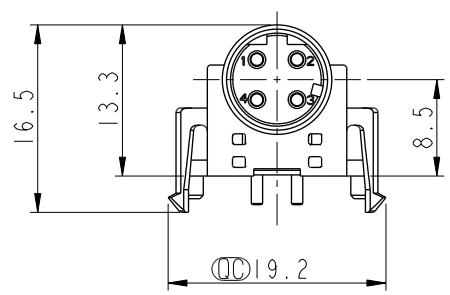
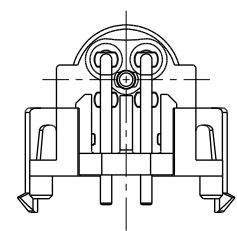
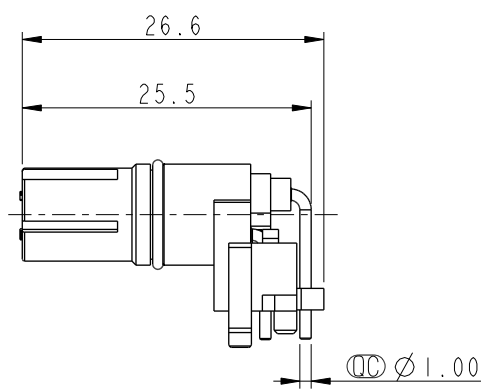
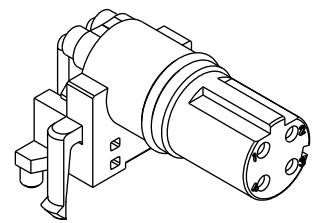
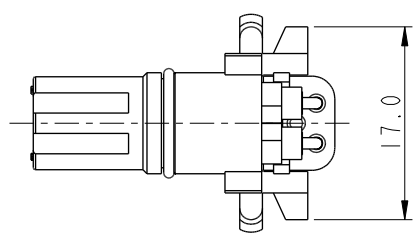


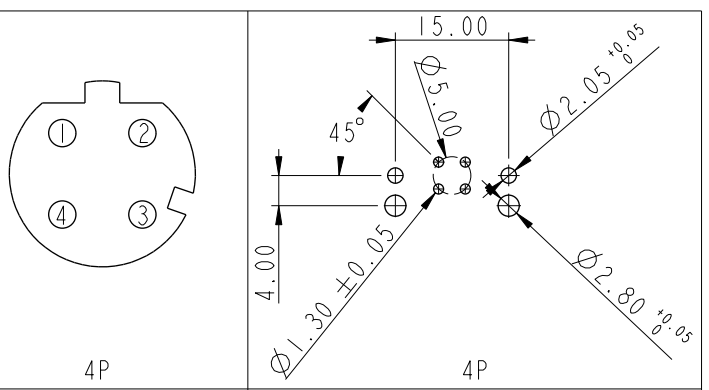
THIS DOCUMENT IS SUBJECT TO CHANGE WITHOUT NOTICE. IT IS CONFIDENTIAL AND A PROPERTY OF AMPHENOL LTW. DISCLOSURE TO THIRD PARTY HAS TO BE AUTHORIZED BY AMPHENOL LTW.

REV.	ECN NO.	DATE	SIGN	DESCRIPTION
A		2022-03-07	Jiahe Lin	Rev.01 To Rev.A

M12D-XXPFFR-EE0001
 XX: No. Of Pin



Note:
 * RoHS Compliant
 * \varnothing Important dimension
 * Waterproof rate: Non-Waterproof
 * Connector
 Housing: Thermoplastic, Black
 Pin: Copper alloy, Gold plated
 O-Ring: Rubber, Gray
 * For pcb thickness max: 1.6mm



Pin Assignment
Front View

PCB Layout

UNIT:mm		TITLE N SEN, M12 D, RECEPTACLE, F, F, PCB R		<h1>Amphenol LTW</h1> 安費諾亮泰企業股份有限公司	ITEM NO	DRAWN BY Jiahe Lin	DATE 2022-03-07		
		TOLERANCE .X ±0.25 .XX ±0.1 .XXX ±0.05 ANGLES ±1°	SCALE 3:2		SIZE A4	SHEET 1 OF 1	DWG NO M12D-XXPFFR-EE0001	CHECKED BY Allen Pan	DATE 2022-03-07
		REV. A	WC-REV. A.1		\varnothing Inspection item	CUSTOMER ALTW	APPROVED BY Fred Lee	DATE 2022-03-07	