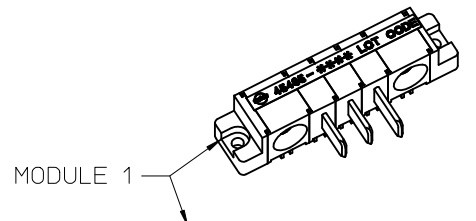
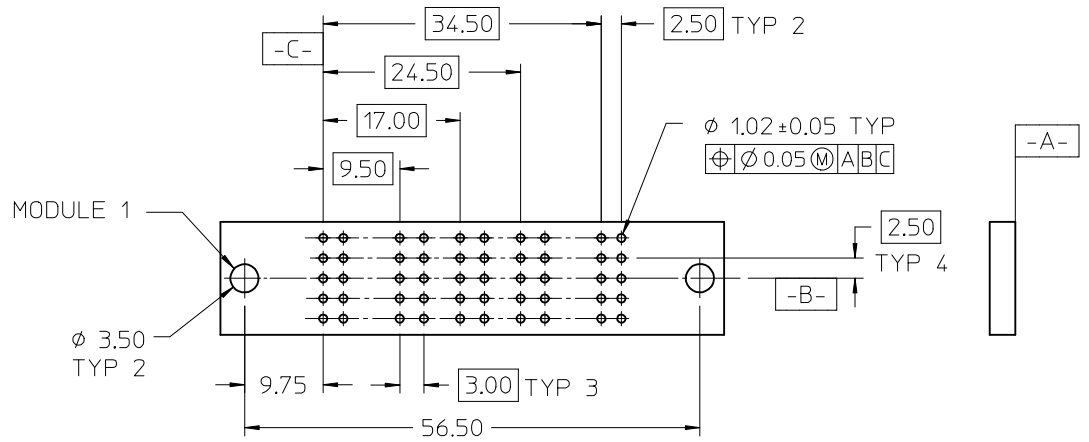
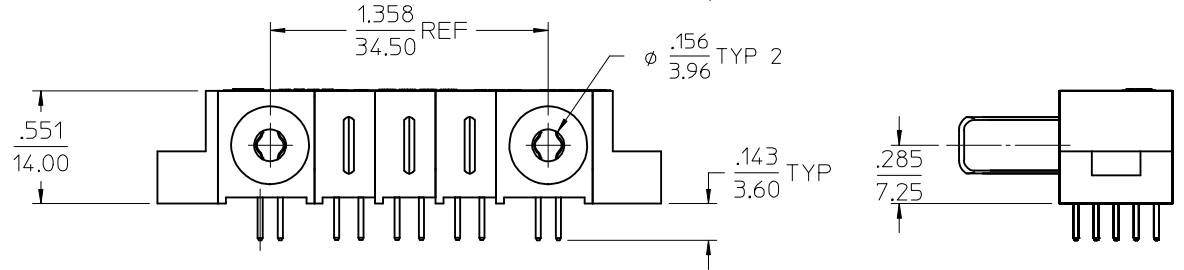
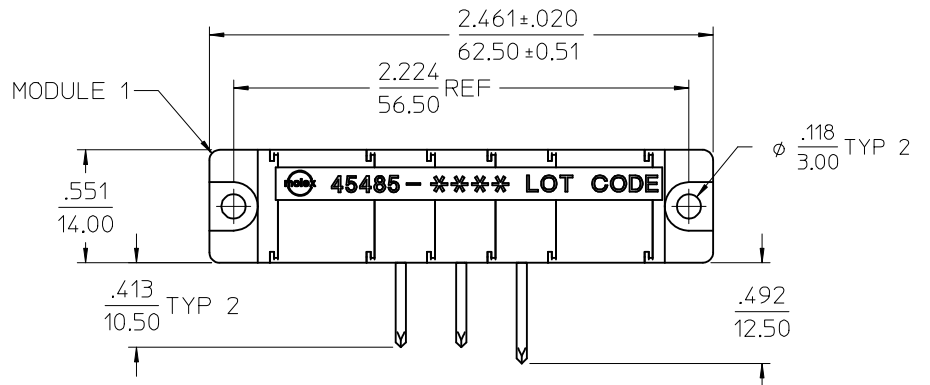


- NOTES:
1. MATERIAL: LCP, GLASS FILLED, UL94V-0, BLACK.
CONTACTS: COPPER ALLOY
 2. FINISH: SELECT GOLD: 30 MI MIN.
SELECT TIN: 100 MI MIN.
BOTH OVER NICKEL
 3. PRODUCT SPECIFICATION: PS-45424-001.
 4. PACKAGING SPECIFICATION: PK-45485-001.



PD 500	PD 516	PD 105	PD 105	PD 106	PD 516	PD 500
--------	--------	--------	--------	--------	--------	--------

PCB LAYOUT: COMPONENT SIDE
PCB THICKNESS: .093/2.36
PCB TOLERANCE: ±.002/0.05

GEOM TOL PCB	DESCRIPTION	REV
		2
EC NO: UCP2005-2625	DRWN: ADRAINO2005/07/07	QUALITY SYMBOLS
CH:KD:KSAMIEC	2005/07/08	
APPR: APATEL	2005/07/13	

GENERAL TOLERANCES (UNLESS SPECIFIED)	mm	INCH
	4 PLACES ± ---	± ---
	3 PLACES ± ---	± .010
	2 PLACES ± 0.25	± .015
	1 PLACE ± 0.38	± ---
ANGULAR ±1/2°		
DRAFT WHERE APPLICABLE		
MUST REMAIN WITHIN DIMENSIONS		

SCALE 1:1	DESIGN UNITS METRIC
DIMENSION STYLE IN/MM	
DRAWN BY SAMIEC	DATE 2004/01/28
CHECKED BY MARGULIS	DATE 2004/01/28
APPROVED BY MARGULIS	DATE 2004/01/28

THIRD ANGLE PROJECTION	REVISE ON CAD ONLY	
TITLE	POWER DOCK ASSEMBLY POWER RIGHT ANGLE SOLDER TAIL	
Molex	MOLEX INCORPORATED	
MATERIAL NO. 45485-0021	DOCUMENT NO. SD-45485-021	SHEET NO. 1 OF 1
THIS DRAWING CONTAINS INFORMATION THAT IS PROPRIETARY TO MOLEX INCORPORATED AND SHOULD NOT BE USED WITHOUT WRITTEN PERMISSION		