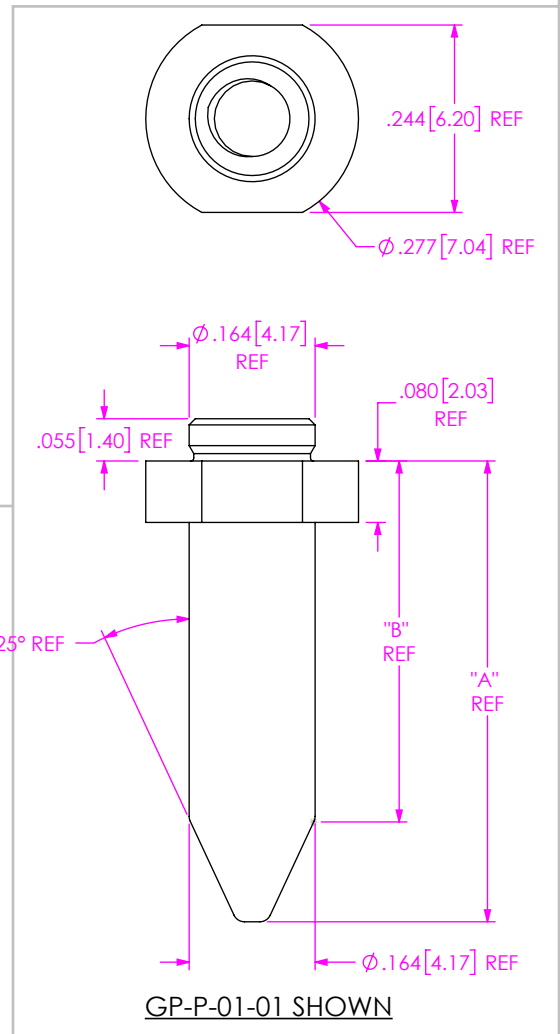
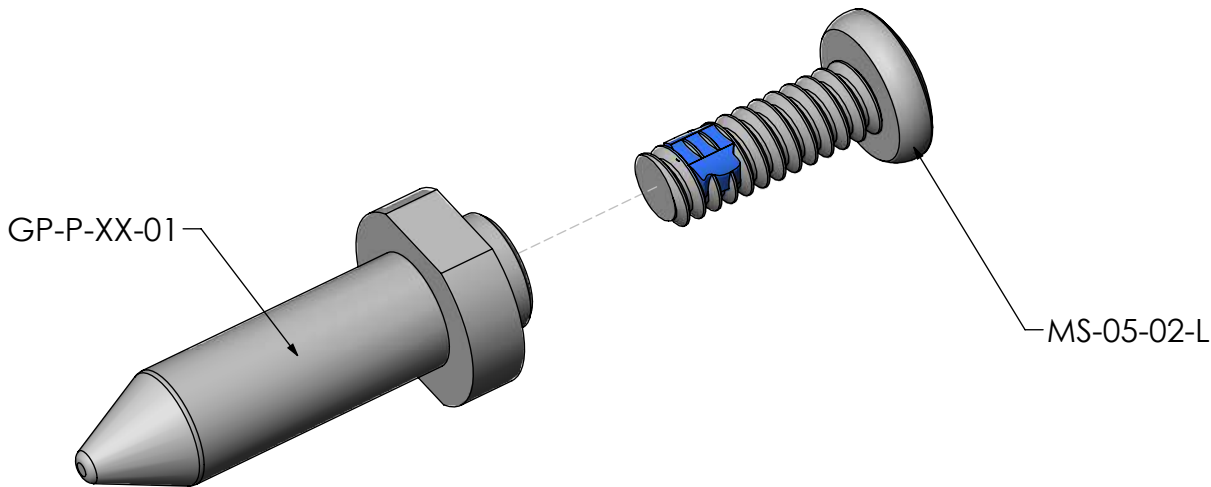


DO NOT SCALE FROM THIS PRINT

DESIGNED & DIMENSIONED IN INCHES[MILLIMETERS]

GPPK-XX-XX

PLUG
 LEAD STYLE
 -01: .600 (FOR SEAM)
 (USE GP-P-01-01)
 -02: .930 (FOR SEAM)
 (USE GP-P-02-01)
 THREADING
 -01: M3 x 0.5



| LEAD STYLE | "A" | "B" |
|------------|------|------|
| -01 | .600 | .470 |
| -02 | .930 | .800 |

NOTES:

- PARTS TO BE PACKAGED IN ZBAG-03.00-04-2.0 AS A KIT.
- KIT TO INCLUDE ONE GP-P-XX-01 AND ONE MS-05-02-L.

UNLESS OTHERWISE SPECIFIED, DIMENSIONS ARE IN INCHES. TOLERANCES ARE:
 DECIMALS .XX: ±.01 [.3]
 .XXX: ±.005 [.13]
 .XXXX: ±.0020 [.051]

PROPRIETARY NOTE
 THIS DOCUMENT CONTAINS INFORMATION CONFIDENTIAL AND PROPRIETARY TO SAMTEC, INC. AND SHALL NOT BE REPRODUCED OR TRANSFERRED TO OTHER DOCUMENTS OR DISCLOSED TO OTHERS OR USED FOR ANY PURPOSE OTHER THAN THAT WHICH IT WAS OBTAINED WITHOUT THE EXPRESSED WRITTEN CONSENT OF SAMTEC, INC.



520 PARK EAST BLVD. NEW ALBANY, IN 47150
 PHONE: 812-944-6733 FAX: 812-948-5047
 e-Mail: info@SAMTEC.com code 55322

MATERIAL: DO NOT SCALE DRAWING SHEET SCALE: 2:1
 GUIDE POST: SUS-301
 SCREW: 303 STAINLESS STEEL

DESCRIPTION: SEAM - GPK OPTION KIT

DWG. NO. GPPK-XX-XX

BY: VICKY Z 12/23/2010 SHEET 1 OF 1