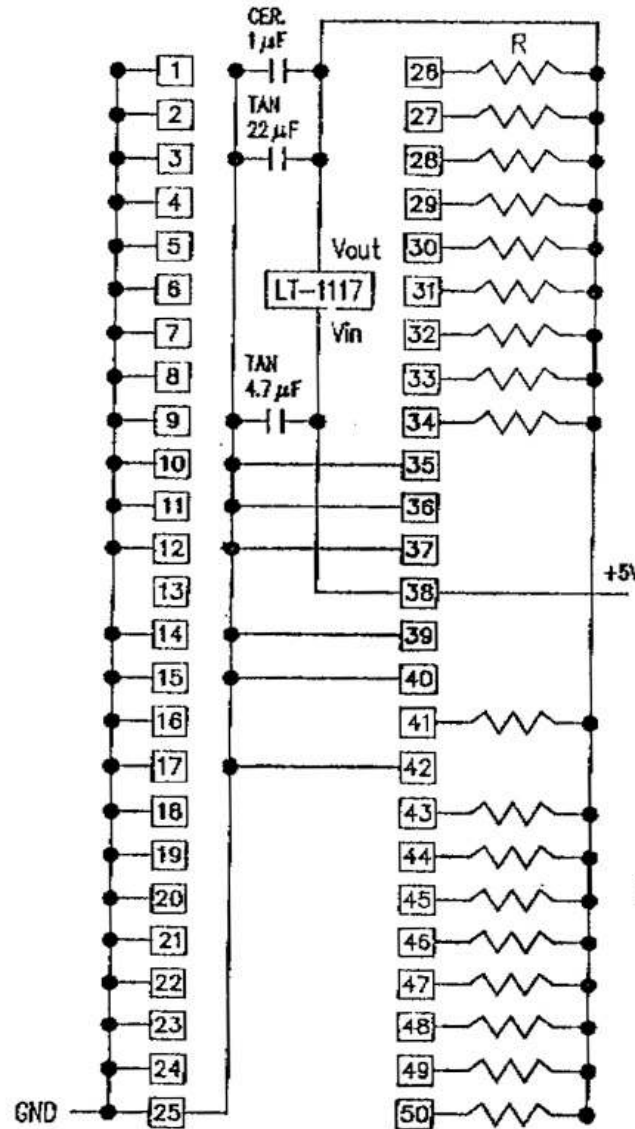
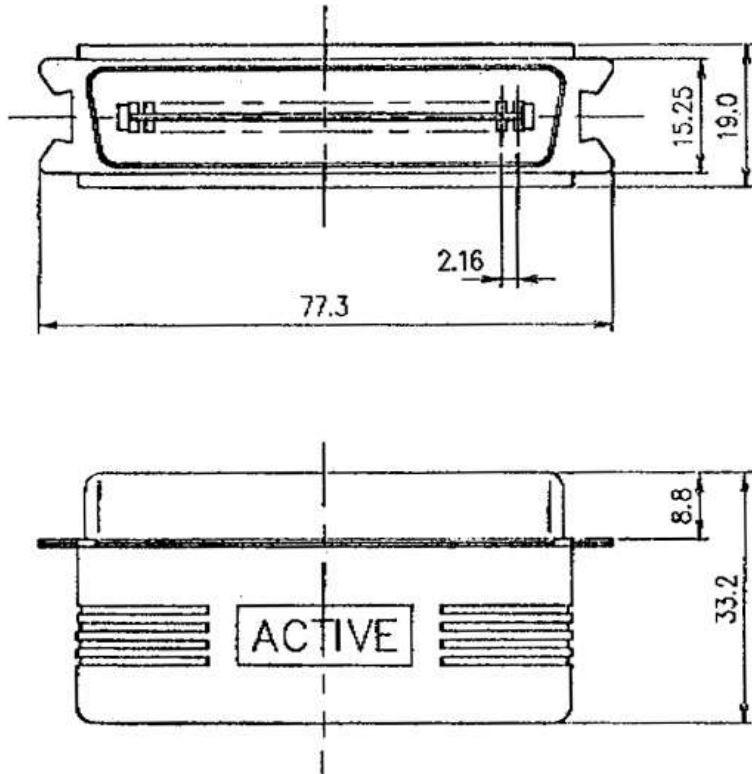


SCSI TERMINATOR

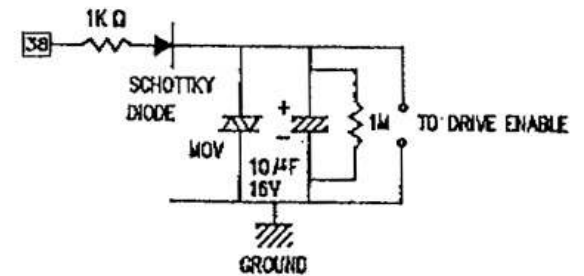


SPECIFICATIONS

1. Contact Material
Copper Alloy
2. Contact Plating
Selective Gold
(mating area with 99% pure hard gold)
3. Insulator Material
PBT UL 94V-0 Thermoplastic
4. Current Rating
1 Amp Max.
5. Working Voltage
30V DC Max.
6. Shield/Housing
P.V.C. Molded/Nf/Cr Alloy
Steel 180° EMI inside Shield

NOTES

- * R : Resistor 110±2%
- * LT-1117 : Regulator IC
- * CER : Ceramic Capacitor
- * TAN : Tantalum



APPROVED	MICHAEL	ASSMANN ELECTRONICS, INC.
CHECKED	JIMMY	P/N : AB-Y102T
DRAWN	WICKEY	DES. : C50M ACTIVE