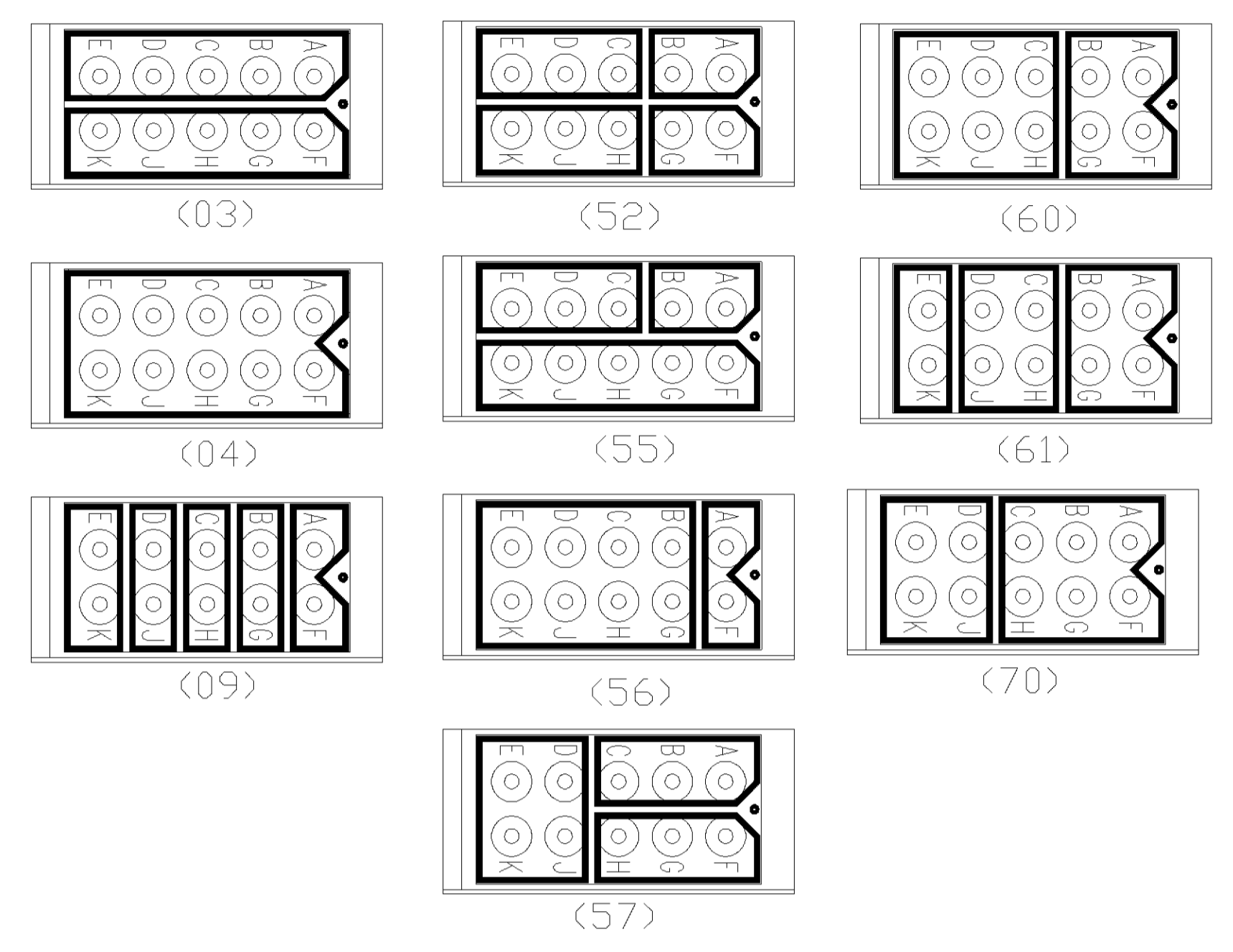
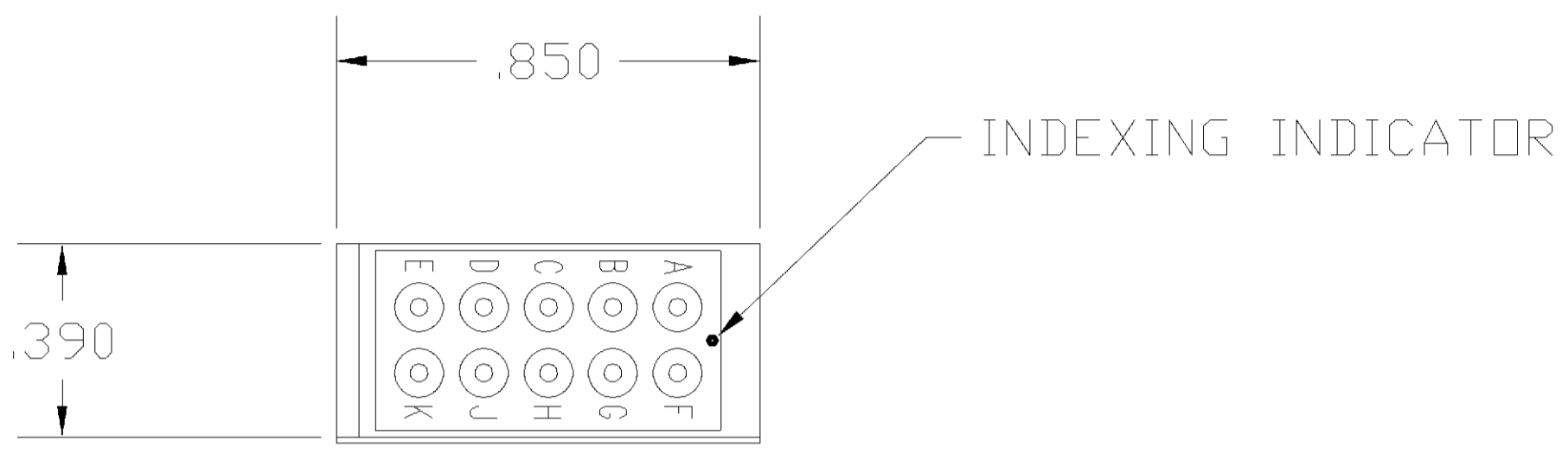


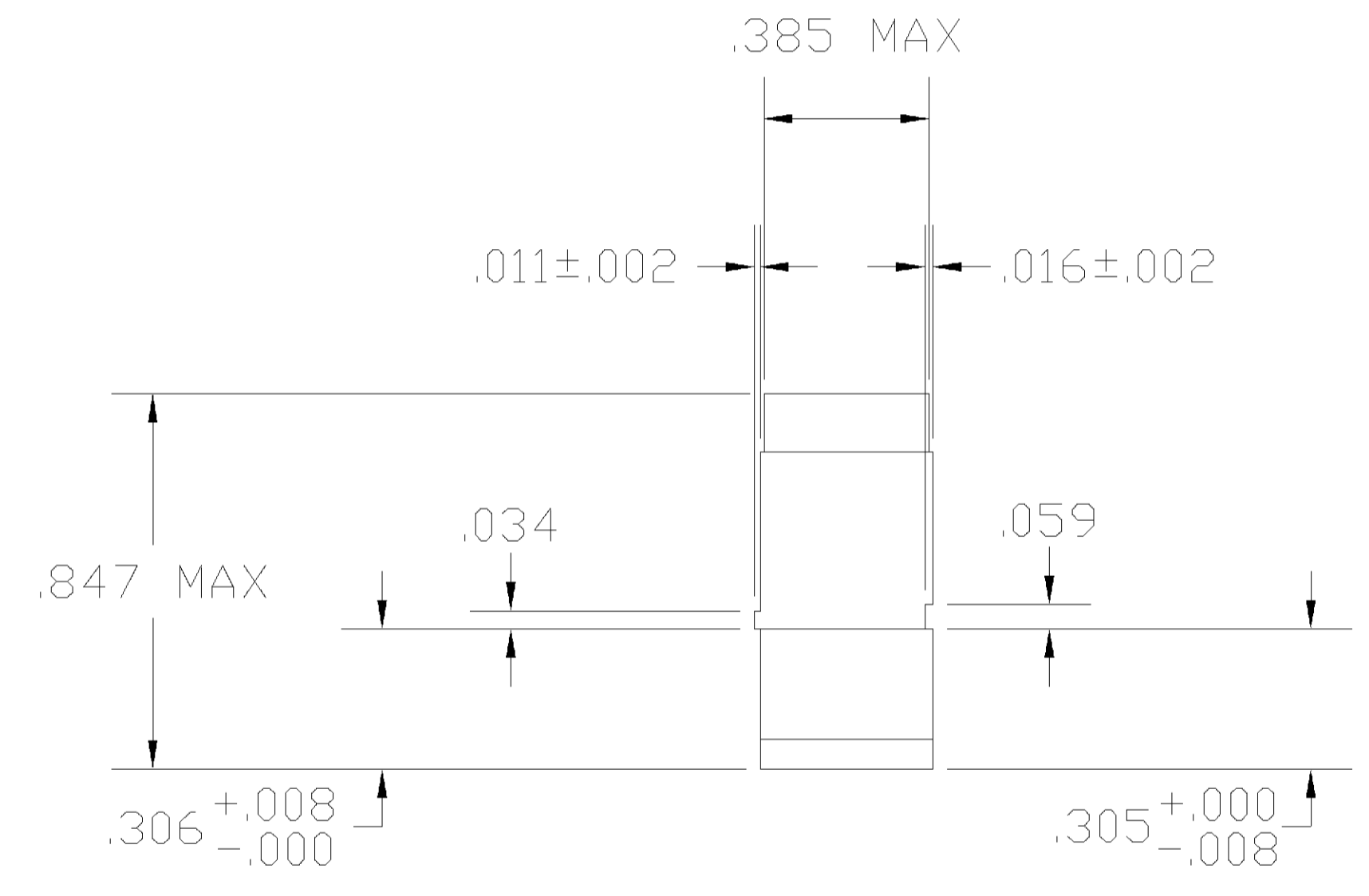
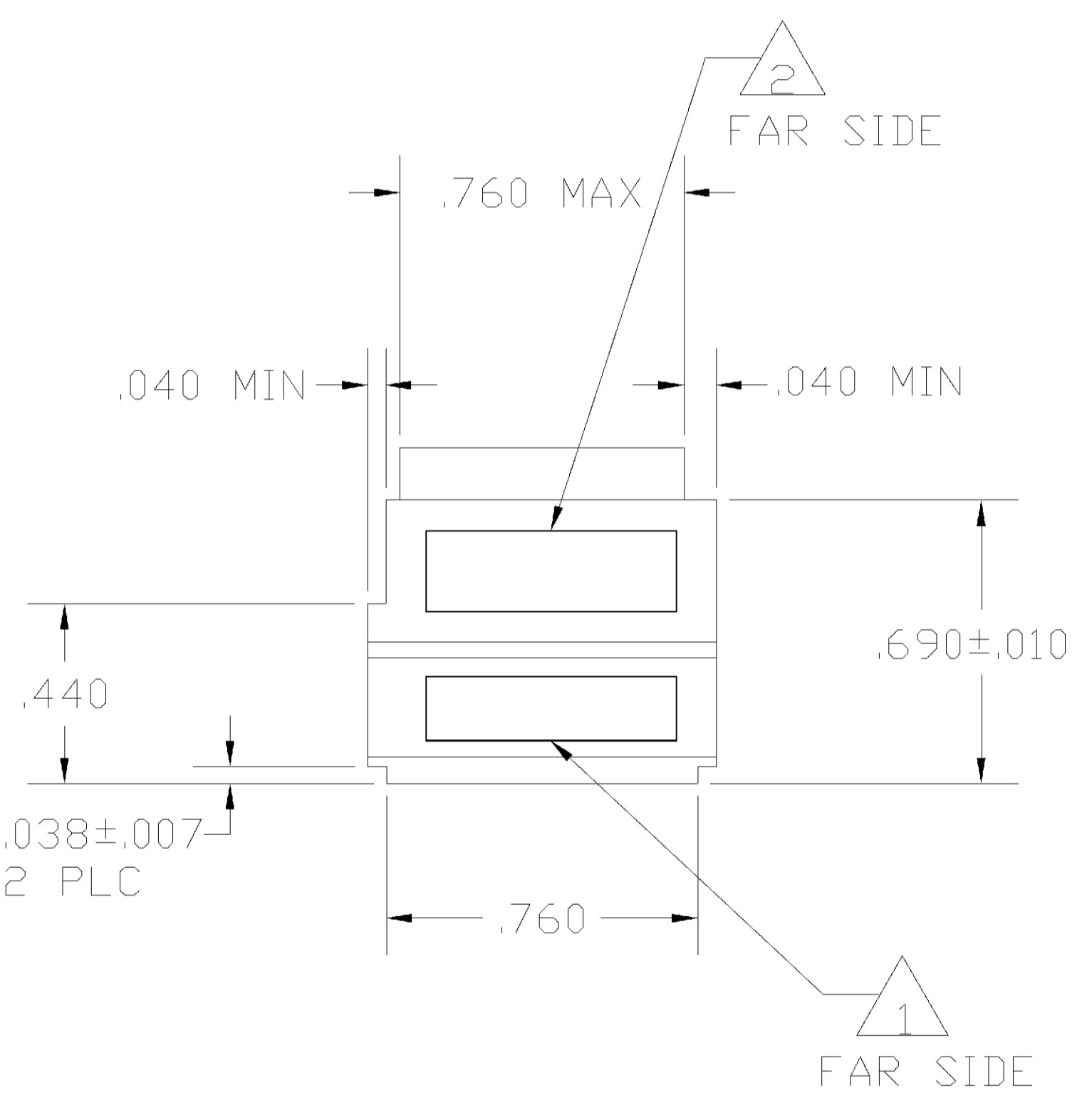
DESCRIPTION	MATERIAL	FINISH
MODULE ASSEMBLY	D.A.P. PER MIL-M14 TYPE SDG-F	COLOR: RED
GROMMET	FLUORSILICONE RUBBER MIL-R-25988 40/50	COLOR: NATURAL
CONTACT SOCKET	BERYLLIUM COPPER ASTM-B194	GOLD PLATE PER MIL-G-45204
RETAINING CLIP	BERYLLIUM COPPER ASTM-B194 OR STAINLESS STEEL PER QQ-S-766	NONE
CONTACTS	COPPER ALLOY PER MIL-C-39029/1	GOLD PLATE PER MIL-G-45204
SEALING PLUGS	F.E.P. PER MIL-P-19468	COLOR: RED

- 1 MARK MODULE ASSEMBLY WITH "AMP", AMP PART NO. AND DATE CODE .060 MINIMUM HIGH CHARACTERS AT APPROXIMATE AREA SHOWN.
- 2 MARK MODULE ASSEMBLY WITH CUSTOMER PART NO., MILITARY PART NO. IF REQUIRED .060 MINIMUM HIGH CHARACTERS AT APPROXIMATE AREA SHOWN.
- 3 BUSSING ARRANGEMENT OUTLINE DENOTES INTERNAL ARRANGEMENT OF SOCKET CONTACTS.
- 4 CONTACTS AND SEALING PLUGS ARE PACKAGED SEPARATELY WHEN REQUIRED.

LOC	REV	DATE	BY	CHK	APP	DESCRIPTION
DF	A0					REV PER OG3D-0159-01



BUSSING ARRANGEMENTS 3



MRTB20E60-111		X							2-592627-6
MRTB20E57-111		X							2-592627-5
MRTB20E56-111			X						2-592627-4
MRTB20E55-111			X						2-592627-3
MRTB20E52-111				X					2-592627-2
MRTB20E09-111					X				2-592627-1
MRTB20E04-111						X			2-592627-0
MRTB20E03-111							X		1-592627-9
		X							1-592627-8
		X						X	1-592627-7
			X						1-592627-6
SUPERSEDED BY 1-592624-8	M81714/2-BB3		X					X	1-592627-5
			X						1-592627-4
SUPERSEDED BY 1-592624-2	M81714/2-BC1			X				X	1-592627-3
				X					1-592627-2
SUPERSEDED BY 1-592624-0	M81714/2-BB2			X				X	1-592627-1
				X					1-592627-0
SUPERSEDED BY 2-592624-2	M81714/2-BC2				X			X	592627-9
					X				592627-8
SUPERSEDED BY 592624-7	M81714/2-BD1					X		X	592627-7
						X			592627-6
SUPERSEDED BY 592624-5	M81714/2-BE1						X	X	592627-5
							X		592627-4
SUPERSEDED BY 592624-3	M81714/2-BA1							X	592627-3
								X	592627-2
SUPERSEDED BY 592624-1	M81714/2-BB1							X	592627-1

MARKING 2: 7061605756552090403

BUSSING ARRANGEMENTS

SEALING PLUG QTY 2 4

CONTACTS QTY 11 4

PART NO.

THIS DRAWING IS A CONTROLLED DOCUMENT.

SWN C.C. THOMAS 31JAN002

CHK D. MILLER 1-31-02

APP'D B. MILLER 1-31-02

TYCO Electronics

Tyco Electronics Corporation
Harrisburg, Pa. 17105-3608

PRODUCT SPEC
FEED-BACK MODULE ASSY, SIZE 20, TJ

APPLICATION SPEC

SIZE CAGE CODE DRAWING NO. RESTRICTED TO

A100779 C-592627

CUSTOMER DRAWING

SCALE NTS SHEET 1 OF 1 REV A