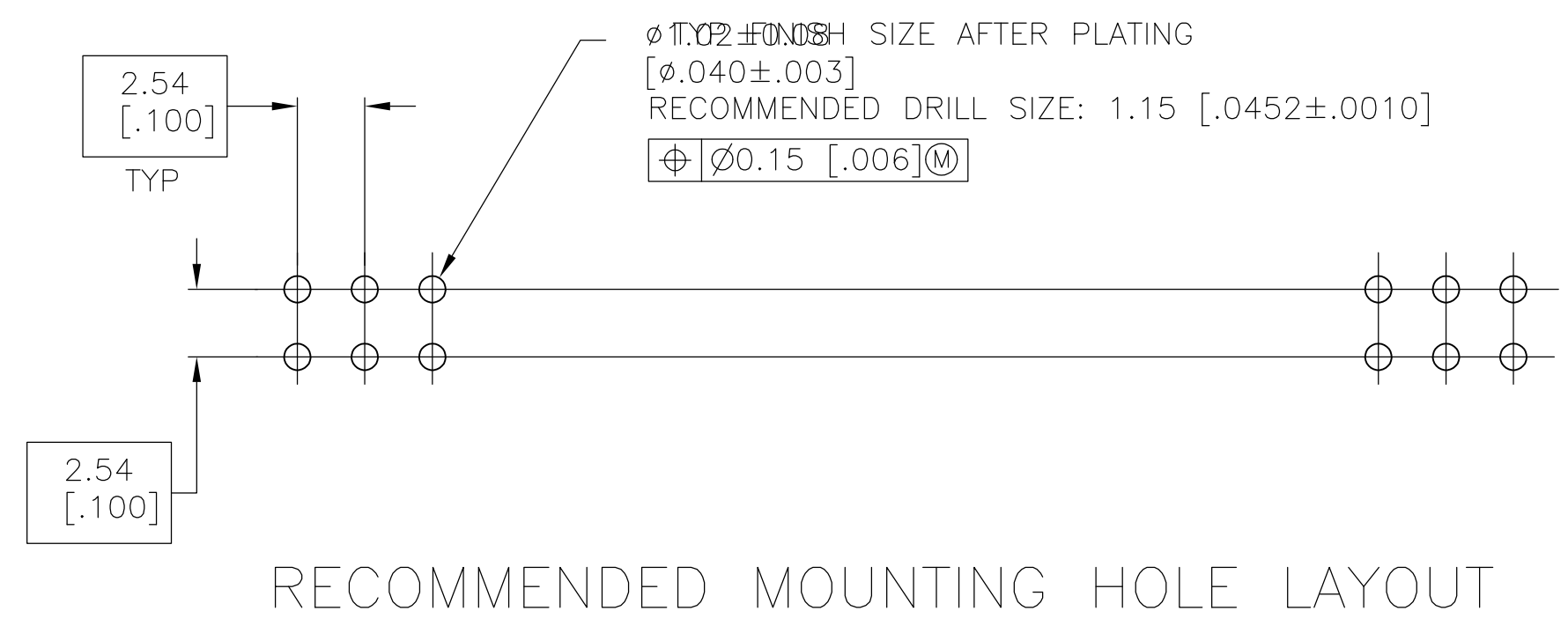
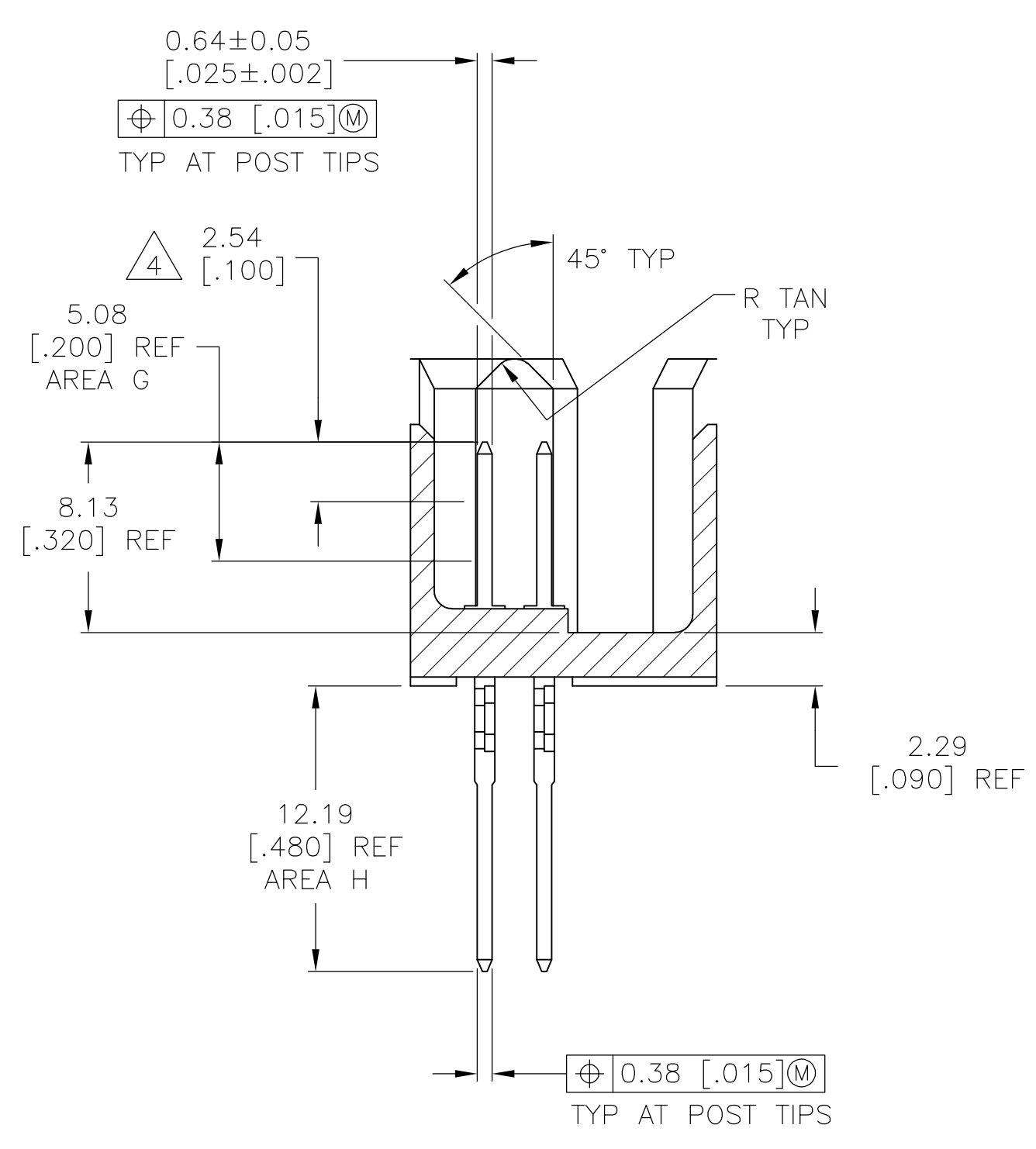
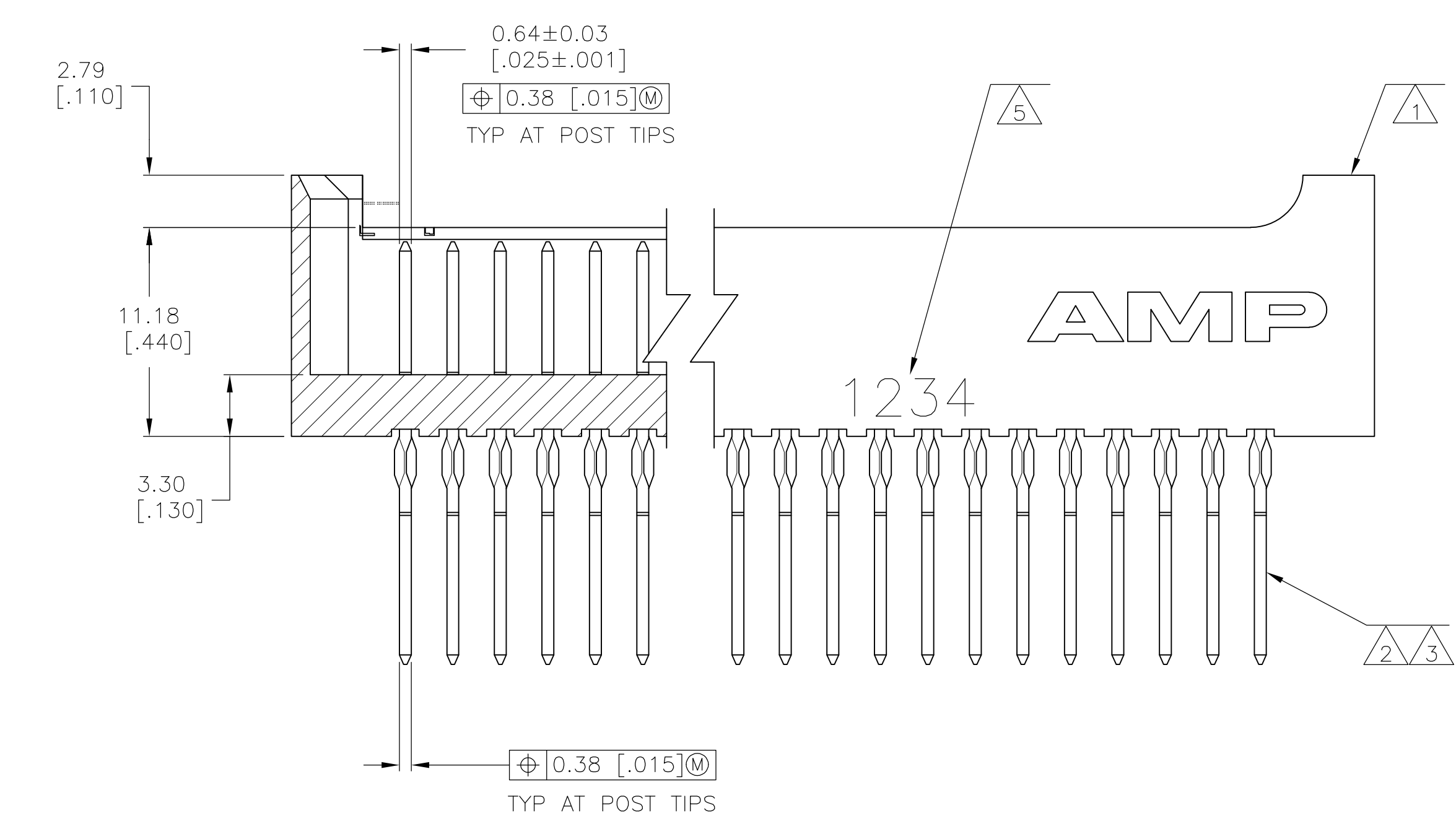
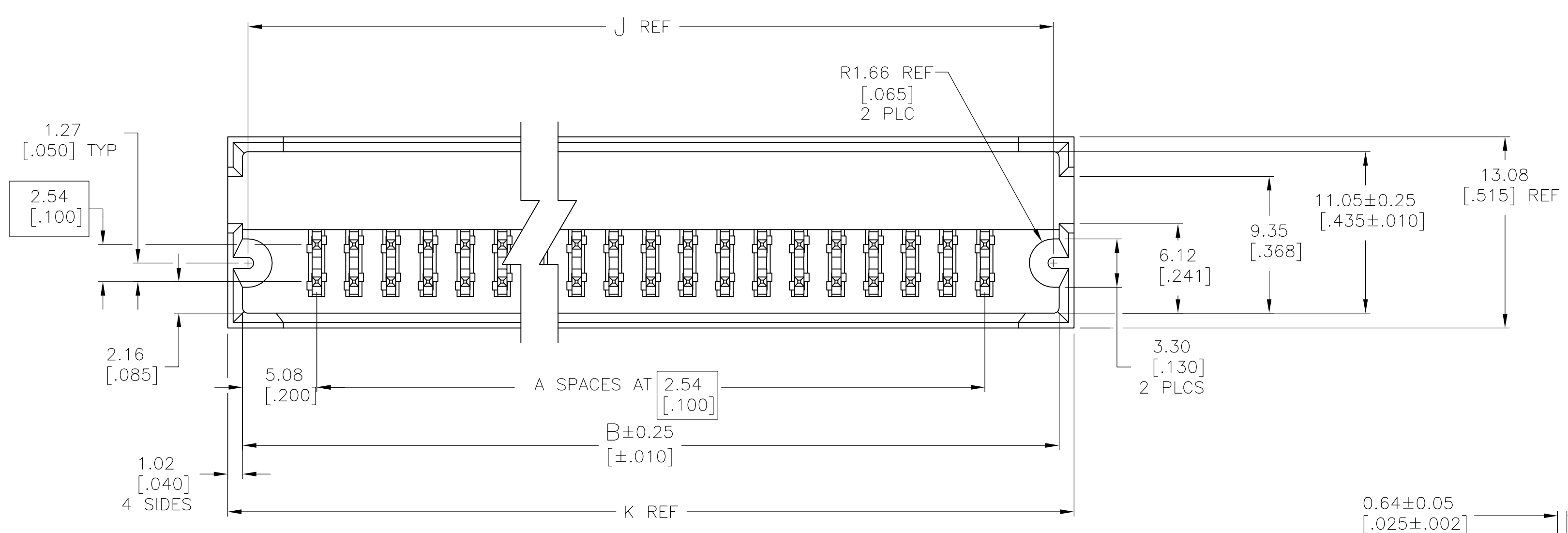


LOC		DIST		REVISIONS			
IF	LR	DESCRIPTION	DATE	DRN	APVD		
G		ECO-07-016583	11DEC07	MB	JO		



- 1 HOUSING: FLAME RETARDANT THERMOPLASTIC; COLOR: BLACK.
- 2 POST: COPPER ALLOY.
- 3 POST FINISH: 0.00076 [.000030] GOLD IN AREA G, 0.00038 [.000015] GOLD IN AREA H, ALL OVER 0.00127 [.000050] NICKEL.
- 4 POINT OF MEASUREMENT FOR PLATING THICKNESS.
- 5 RECESSED DATE CODE.
- 6 CSA LOGO RECESS STAMPED ON HOUSING.

REV	DATE	DESCRIPTION	BY	CHK	QTY	UNIT	PART NUMBER
2							2-102666-8
1							2-102666-7
1							2-102666-6
1							2-102666-5
1							2-102666-4
1							2-102666-3
1							2-102666-2
1							2-102666-1
1							2-102666-0
1							1-102666-9
1							1-102666-8
1							1-102666-7
1							1-102666-6
1							1-102666-5
1							1-102666-4
1							1-102666-3
1							1-102666-2
1							1-102666-1
1							1-102666-0
1							102666-9
1							102666-8
1							102666-7
1							102666-6
1							102666-5
1							102666-4
1							102666-3
1							102666-2
1							102666-1

THIS DRAWING IS A CONTROLLED DOCUMENT. DWG: K.L.CLOUSER/UTA 02APR91  
 CHK: D. SARVER 19JUN91  
 TITLED: D. SARVER 19JUN91  
 NAME: HEADER ASSY, MOD II, DOUBLE ROW, 2.54 X 2.54  
 PRODUCT SPEC: [100 X .100] CL, 0.64 [.025] SO COMPLIANT POST,  
 APPLICATION SPEC: FOR BOARDS 2.36 [.093] NOM & THICKER  
 MATERIAL: HOUSING: 1  
 FINISH: POST: 1  
 WEIGHT: -  
 SIZE: A1  
 CAGE CODE: 00779  
 DRAWING NO: 102666  
 CUSTOMER DRAWING  
 SCALE: 4:1  
 SHEET: 1 OF 1  
 REV: G