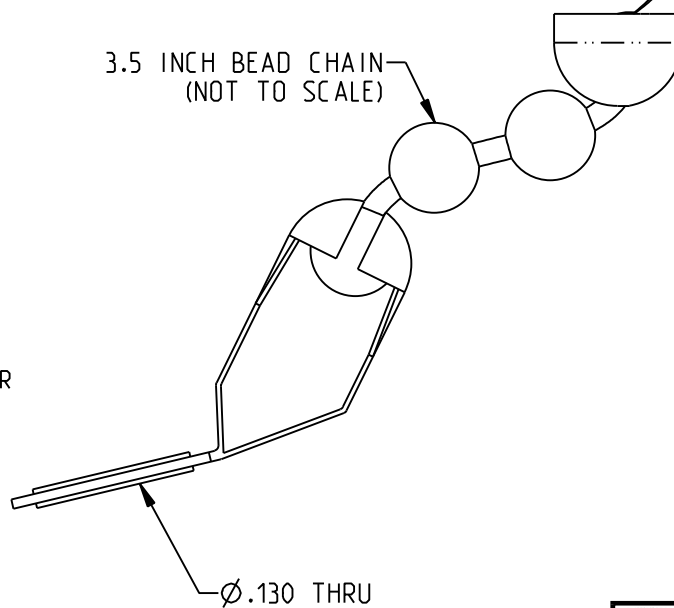


3.5 INCH BEAD CHAIN
(NOT TO SCALE)



NOTES: UNLESS OTHERWISE SPECIFIED.

1. MATERIAL & FINISH:

- 1.1 BODY, COUPLING NUT & END PLUG: PASSIVATED STAINLESS STEEL
- 1.2 DIELECTRIC: PTFE (TEFLON)
- 1.3 CENTER CONTACT: GOLD PLATED BERYLLIUM COPPER
- 1.4 GASKET: SILICONE RUBBER
- 1.5 BEAD CHAIN: STAINLESS STEEL

2. ELECTRICAL SPECIFICATIONS:

- 2.1 FREQUENCY RANGE: DC TO 26.5 GHz
- 2.2 INPUT POWER (MAX): 2 WATT AVG. @ +25°C
DERATED LINEARLY TO 1 WATT @ +125°C
- 2.3 VSWR (MAX):
DC TO 18.0 GHz: 1.05+0.008f(GHz)
18.0 TO 26.5 GHz: 1.30:1
- 2.4 IMPEDANCE: 50 OHMS NOMINAL
- 2.5 TEMPERATURE RANGE: -65°C TO 125°C

3. WEIGHT (MAX): .12 OZ (3.4 GRAMS)

	3RD ANGLE PROJECTION	MIDWEST MICROWAVE	
	NOTICE: The information in this drawing is PROPRIETARY and must not be used without the permission of Cinch Connectivity Solutions. It may contain data whose export is restricted. Verify status prior to exporting. INTERPRET DRAWING IN ACCORDANCE WITH ASME Y14.5-2018	RoHS2 <input checked="" type="checkbox"/> 2011/65/EU UNLESS OTHERWISE SPECIFIED UNITS: INCH .XX ±.02 .XXX ±.010 ANGLES ±2°	Title: TERMINATION Model No. TRM-2054-MC-SMA-02