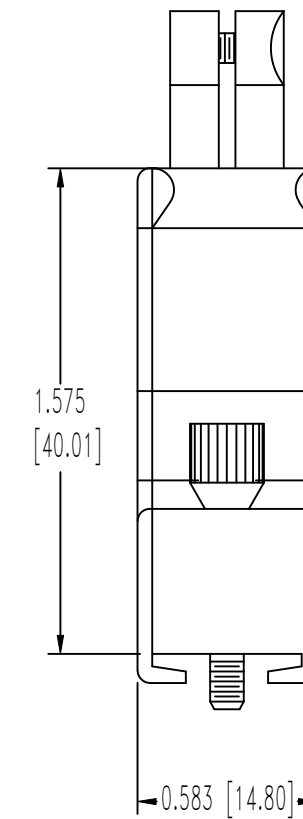
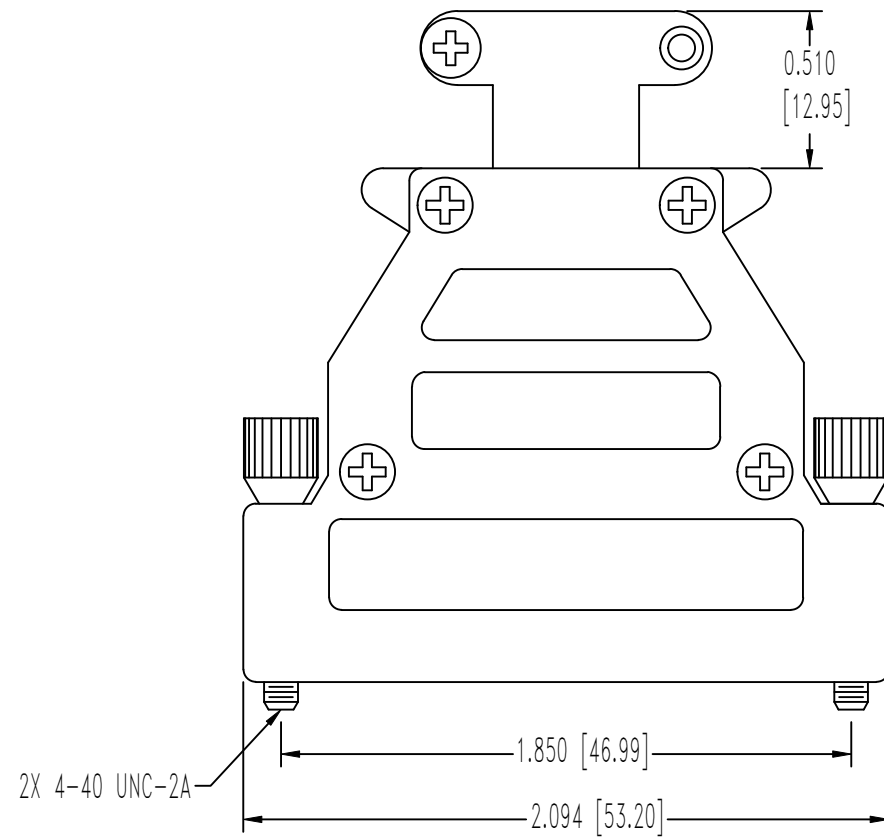


SK1990

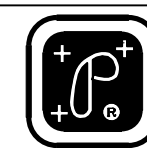
DATE	REV	REVISION RECORD	APP	DR	CK
1-25-06	A	ECO 25404	RW	YK	ME
3-16-15	B	ECO 46261	COLE	BE	COLE

THIS DRAWING CONTAINS INFORMATION PROPRIETARY TO POSITRONIC AND ITS SUBSIDIARIES. POSITRONIC BELIEVES THE DATA ON THIS DRAWING TO BE RELIABLE, SINCE THE TECHNICAL INFORMATION IS GIVEN FREE OF CHARGE, THE USER EMPLOYS SUCH INFORMATION AT HIS OWN DISCRETION AND RISK. POSITRONIC ASSUMES NO RESPONSIBILITY FOR RESULTS OBTAINED OR DAMAGES INCURRED FROM USE OF SUCH INFORMATION IN WHOLE OR IN PART.



NOTES:

- MATERIALS AND FINISHES:
HOOD AND CABLE CLAMPS: DIE CAST ZINC.
JACKSCREWS: STEEL WITH NICKEL PLATE.
- DETAILED PRODUCT, MECHANICAL, AND ELECTRICAL INFORMATION IS AVAILABLE IN THE LATEST D-SUB ACCESSORY PRODUCT PUBLICATION. VISIT CONNECTPOSITRONIC.COM/PRODUCTS/58/D-SUBMINIATUREACCESSORIES OR CONNECTPOSITRONIC.COM.
- DIMENSIONS ARE IN INCHES [MILLIMETERS].



POSITRONIC INDUSTRIES INC.
www.connectpositronic.com

FSCM 28198

 DECIMAL TOL. ± 0.015 [0.38]	D SERIES	SCALE N.T.S.	DRAWN BY YK
	APPROVED BY RW		
 ANGULAR TOL. ± 5°	TITLE D25000GEO		
	DATE 1-25-06	DRAWING NUMBER SK1990	REV. B