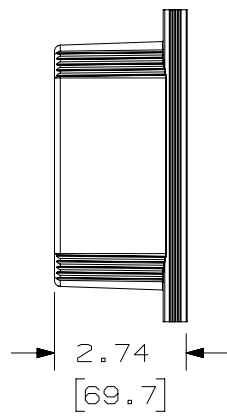
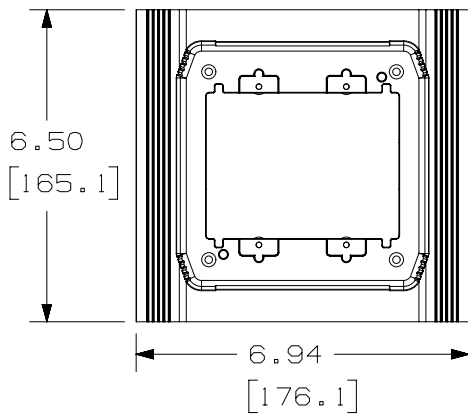
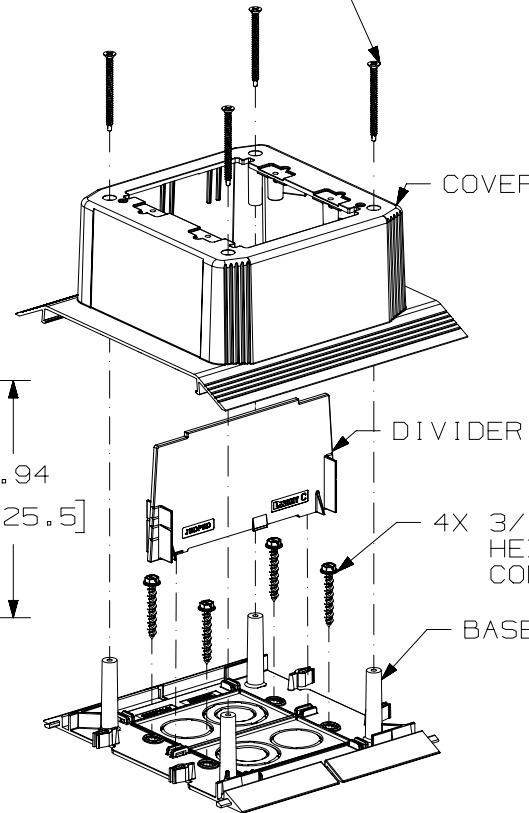


THIS COPY IS PROVIDED ON A RESTRICTED BASIS AND IS NOT TO BE USED IN ANY WAY DETRIMENTAL TO THE INTERESTS OF PANDUIT CORP.

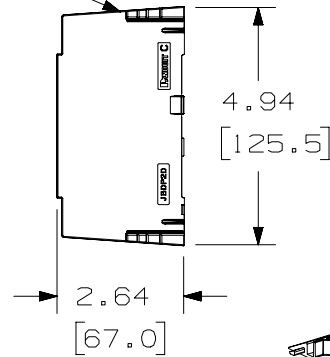


4X #6-20 1-3/4"  
BINATION HEAD  
SCREW

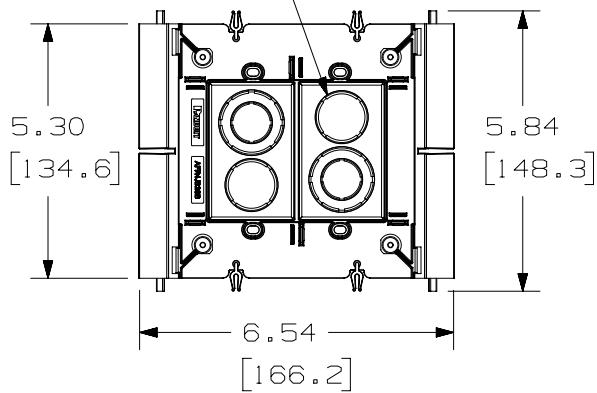


- NOTES:
1. VISIT OUR ON-LINE CATALOG AT [WWW.PANDUIT.COM](http://WWW.PANDUIT.COM) FOR A LIST OF CURRENT PARTS APPLICABLE FOR USE WITH THIS PRODUCT.
  2. DIMENSIONS IN [ ] ARE METRIC.
  3. WEIGHT: 0.5-lb (0.23-kg)
  4. PART INCLUDES:
    - 1- COVER
    - 1- DIVIDER
    - 1- BASE
    - 4- #6-20 1-3/4" BINATION HEAD SCREWS
    - 4- 3/16" X 1-1/4" HEX WASHER HEAD CONCRETE SCREW
  5. CONCENTRIC BREAKOUTS TO ACCOMMODATE CONDUIT SIZES OF 1/2", 3/4", AND 1" DIAMETERS.
  6. DIVIDER PROVIDES POWER AND DATA SEPARATION IMMEDIATELY FROM RACEWAY.
  7. RoHS COMPLIANT, UL 94V-0 MATERIAL

SEE NOTE 6



SEE NOTE 5



**	COLOR
IW	OFF-WHITE
BL	BLACK
OS	OFFICE SLATE

PART NUMBER		AFR4JB2S**		
TITLE		ABOVE FLOOR RACEWAY 4-CHANNEL DOUBLE GANG JUNCTION BOX		
		CUSTOMER DRAWING		
ITEM REVISION NAME		00064EAC/00		
DATASET FILE NAME		00064EAC_DC/00A		
MATERIAL		PVC		
DRAWING NUMBER		00064EAC-DC		
THIRD ANGLE PROJECTION				
REV	DATE	BY	CHK	SCALE
00A	8-24-17	BJN	ROJC	NONE
DESCRIPTION		SHEET 1 OF 1		SIZE
RELEASED TO PRODUCTION		00064EAC-DC		A

A-SIZE CUSTOMER