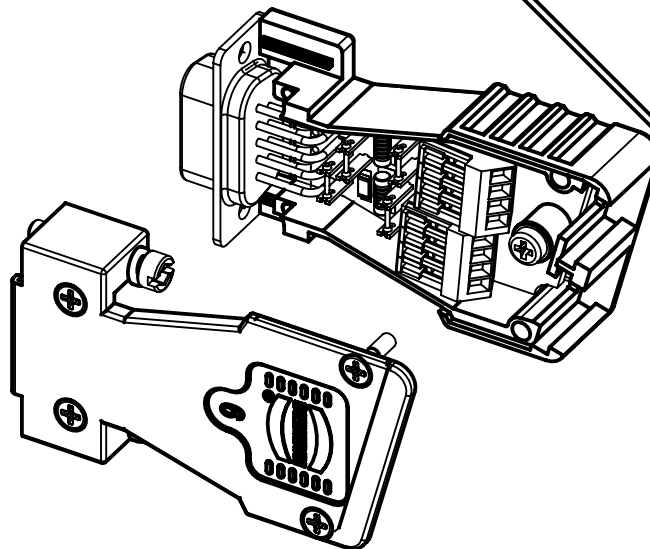
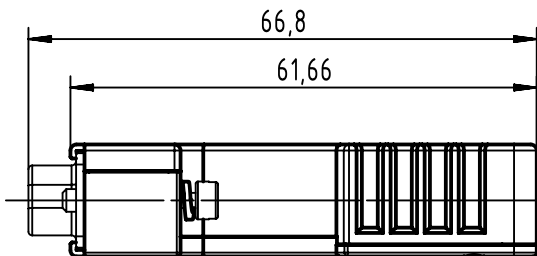
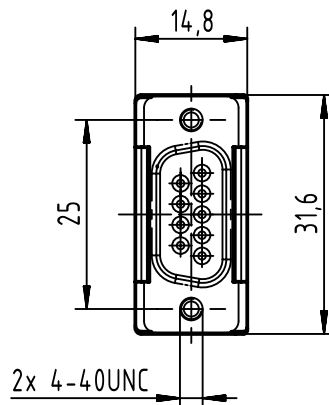
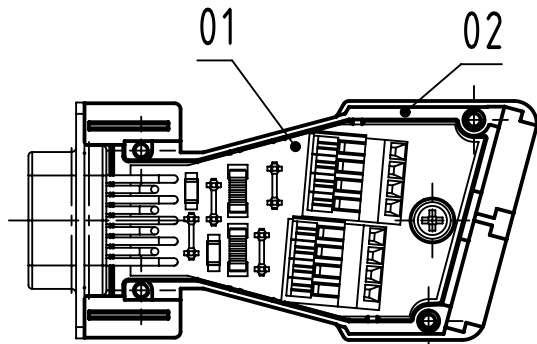
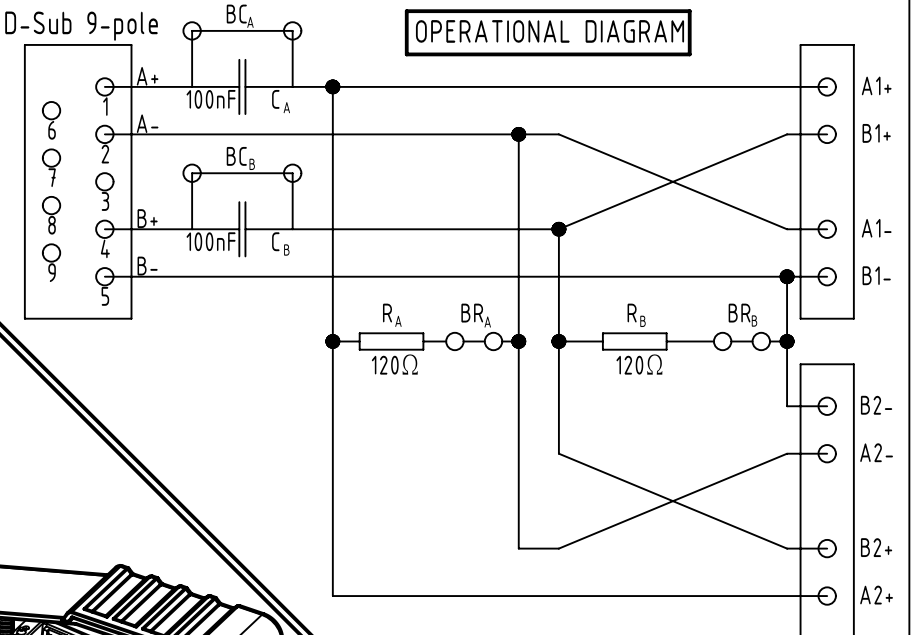


View without cover



D-Sub 9-pole

OPERATIONAL DIAGRAM



in set inclusive

Number	Description
2	Crimp flange 6,5-7,5
2	Crimp ferrule 10,0-11,0
1	blanking piece 9-37
1	LABEL line A,B

	All Dimensions in mm Original Size DIN A4		Scale 1:1	Free size tol.		Ref.
	All rights reserved Department EL PD		Created by ZHUANGJ	Inspected by LUOK	Standardisation ROEBEN	Sub.
		Title InduCom 9 MVB/WTB 4-40 UNC female			Date 2021-08-04	State Final Release
6663 009 5022 777      PL2      Small batch		Type TB			Doc-Key / ECM-Nr. 100075722/UGD/023/B 500000200533	
6663 009 5022      PL2      Standard batch		Number 66630095022			Rev. <b>B</b> Page 1/1	
Part number	Performance level	Remark	D-32339 Espelkamp			