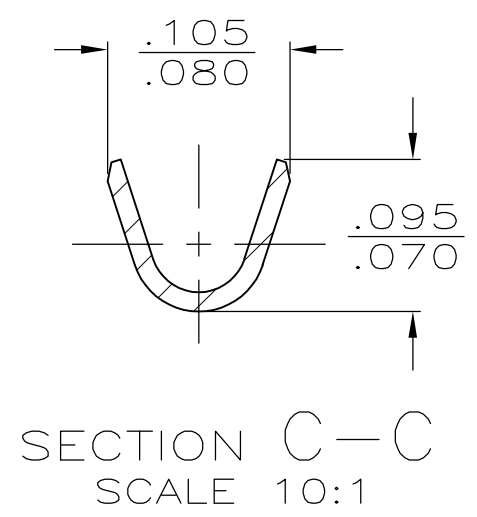
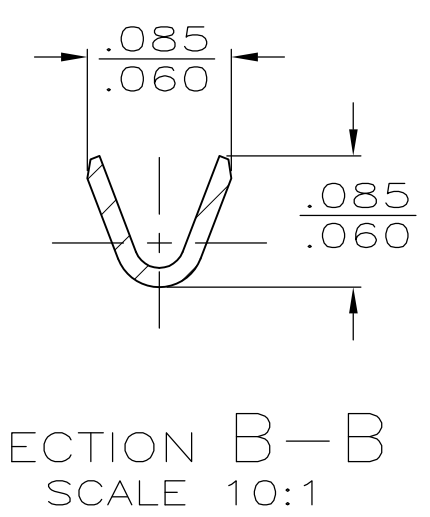
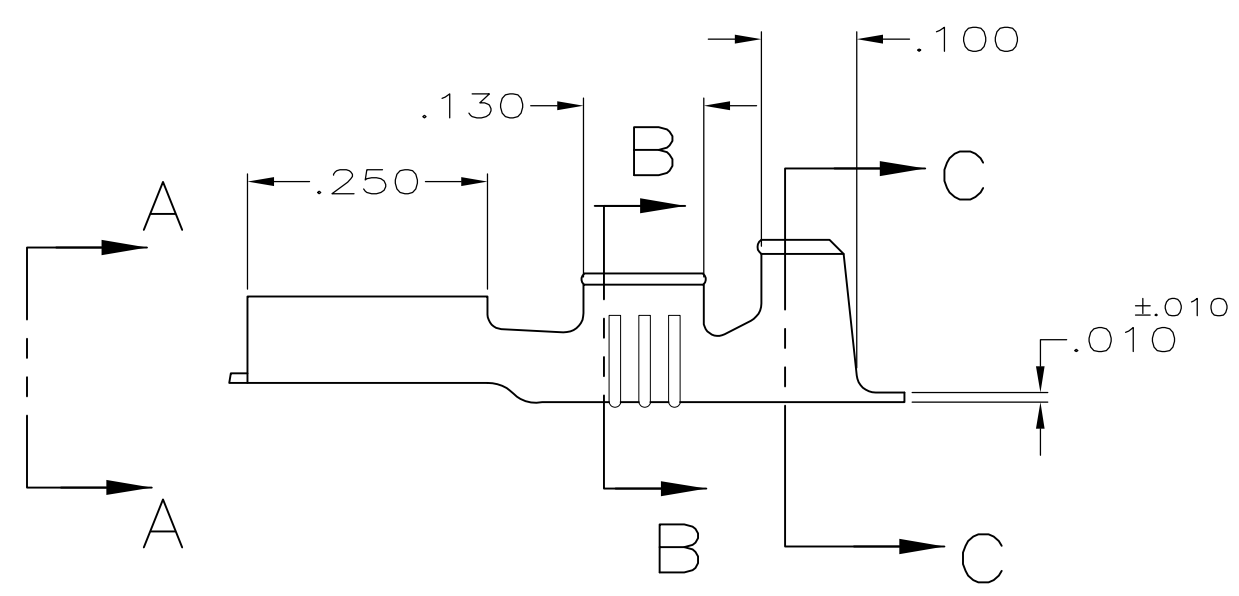
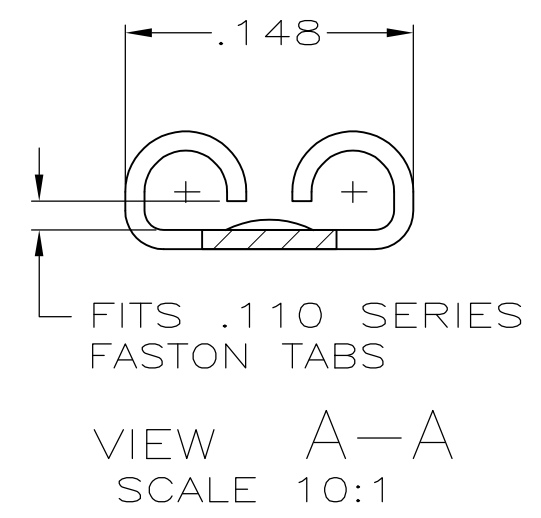
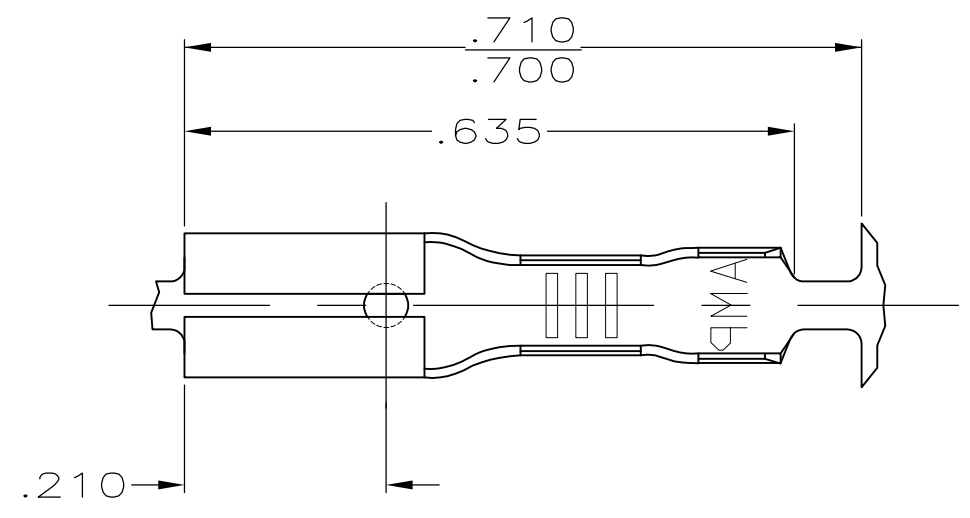


THIS DRAWING IS UNPUBLISHED. RELEASED FOR PUBLICATION
 © COPYRIGHT - By - ALL RIGHTS RESERVED.

LOC	DIST	REVISIONS					
AF	50	P	LTR	DESCRIPTION	DATE	DWN	APVD
		AA		REVISED PER ECR-12-013445	26OCT12	KH	PD

1 CONTINUOUS STRIP ON REELS.



OBSOLETE	— GOLD —	.040—.060	#24-#22	.020	42067-2
	PRE-TIN				42067-1
	FINISH	INSUL RANGE	WIRE SIZE	MATING TAB THK ±.001	PART NO

THIS DRAWING IS A CONTROLLED DOCUMENT.		DWN JR RUTH 3/27/91	TE Connectivity RECEPTACLE, FASTON, .110 SERIES					
DIMENSIONS: INCHES		CHK MS FEHER 3/27/91				NAME		
TOLERANCES UNLESS OTHERWISE SPECIFIED:		APVD C MEYERS 3/27/91				SIZE		
0 PLC ± - 1 PLC ± - 2 PLC ± - 3 PLC ± .015 4 PLC ± - ANGLES ± -		PRODUCT SPEC				CAGE CODE		
MATERIAL BRASS		FINISH SEE TABLE	APPLICATION SPEC	DRAWING NO A300779 C-42067		RESTRICTED TO		
CUSTOMER DRAWING			WEIGHT -	SCALE 5:1	SHEET 1 OF 1	REV AA		