



AMP | MQS

TE Internal #: 1-968699-1

Housing for Male Terminals, Wire-to-Wire, 2 Position, .1 in [2.54 mm] Centerline, Black, Wire & Cable, Cable Mount (Free-Hanging), Key A, MQS

[View on TE.com >](#)

Connectors > Automotive Connectors > Automotive Housings > MQS, CONNECTOR HOUSING



Connector & Housing Type: **Housing for Male Terminals**

Mating Tab Width: **.63 mm [ .025 in ]**

Connector System: **Wire-to-Wire**

Number of Positions: **2**

Centerline (Pitch): **2.54 mm [ .1 in ]**

[All MQS, CONNECTOR HOUSING \(571\)](#)

**Features**

**Product Type Features**

Connector Shape	Rectangular
Connector & Housing Type	Housing for Male Terminals
Connector System	Wire-to-Wire
Sealable	No
Hybrid Connector	No
Primary Locking Feature	Integrated in Housing
Connector & Contact Terminates To	Wire & Cable

**Configuration Features**

Number of Positions	2
Number of Rows	1

**Body Features**

Cable Exit Angle	180°
Primary Product Color	Black
Connector & Keying Code	A

**Contact Features**

Contact Size	.63mm
Contact Type	Tab



Mating Tab Width	.63 mm[.025 in]
------------------	-----------------

### Mechanical Attachment

Terminal Position Assurance	Yes
Strain Relief	Without
Mating Alignment Type	Keyed
Mating Alignment	With
Connector Mounting Type	Cable Mount (Free-Hanging)

### Housing Features

Housing Material	PBT GF10
Centerline (Pitch)	2.54 mm[.1 in]

### Dimensions

Connector Height	8.2 mm[.323 in]
Product Width	26.6 mm[1.047 in]
Product Length	10.2 mm[.402 in]

### Industry Standards

UL Flammability Rating	UL 94HB
------------------------	---------

### Packaging Features

Packaging Quantity	7500
Packaging Method	Box

### Other

Serviceable	No
Connector Position Assurance Capable	No

### Product Compliance

[For compliance documentation, visit the product page on TE.com>](#)

EU RoHS Directive 2011/65/EU	Compliant
EU ELV Directive 2000/53/EC	Compliant
China RoHS 2 Directive MIIT Order No 32, 2016	No Restricted Materials Above Threshold
EU REACH Regulation (EC) No. 1907/2006	Current ECHA Candidate List: JUNE 2023 (235) Candidate List Declared Against: JAN 2023 (233) Does not contain REACH SVHC

Halogen Content	Low Halogen - Br, Cl, F, I < 900 ppm per homogenous material. Also BFR/CFR/PVC Free
Solder Process Capability	Not applicable for solder process capability

Product Compliance Disclaimer

This information is provided based on reasonable inquiry of our suppliers and represents our current actual knowledge based on the information they provided. This information is subject to change. The part numbers that TE has identified as EU RoHS compliant have a maximum concentration of 0.1% by weight in homogenous materials for lead, hexavalent chromium, mercury, PBB, PBDE, DBP, BBP, DEHP, DIBP, and 0.01% for cadmium, or qualify for an exemption to these limits as defined in the Annexes of Directive 2011/65/EU (RoHS2). Finished electrical and electronic equipment products will be CE marked as required by Directive 2011/65/EU. Components may not be CE marked. Additionally, the part numbers that TE has identified as EU ELV compliant have a maximum concentration of 0.1% by weight in homogenous materials for lead, hexavalent chromium, and mercury, and 0.01% for cadmium, or qualify for an exemption to these limits as defined in the Annexes of Directive 2000/53/EC (ELV). Regarding the REACH Regulation, the information TE provides on SVHC in articles for this part number is based on the latest European Chemicals Agency (ECHA) 'Guidance on requirements for substances in articles' posted at this URL: <https://echa.europa.eu/guidance-documents/guidance-on-reach>

## Compatible Parts



TE Part # CAT-M8793-CH8172  
MQS, CONNECTOR HOUSING

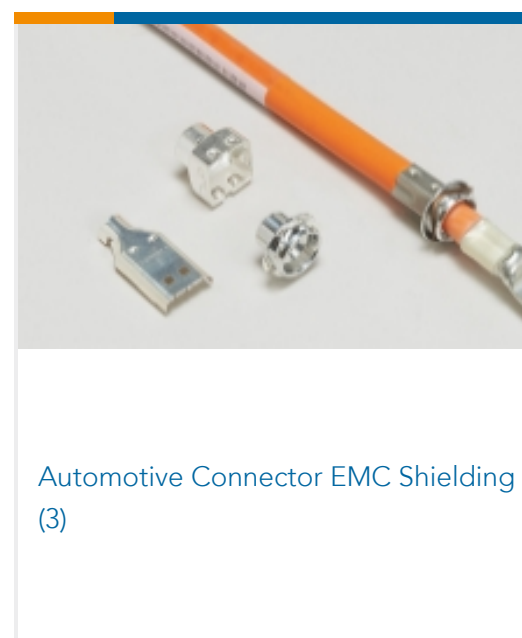


TE Part # CAT-M8793-T273  
MQS, RECEPTACLE AND TAB

## Also in the Series | MQS



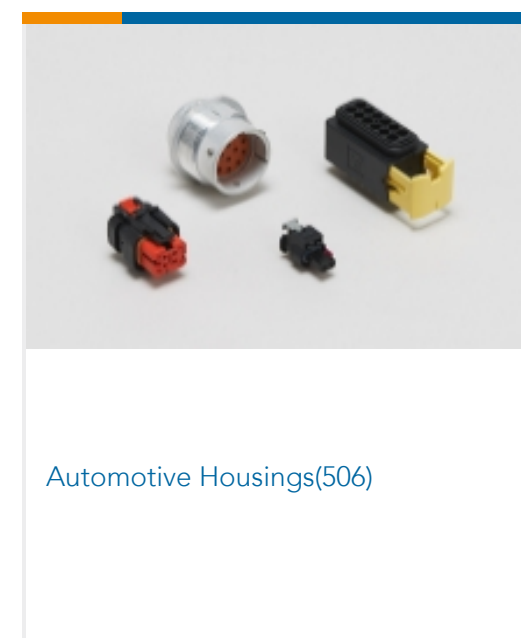
Automotive Connector Caps & Covers (138)



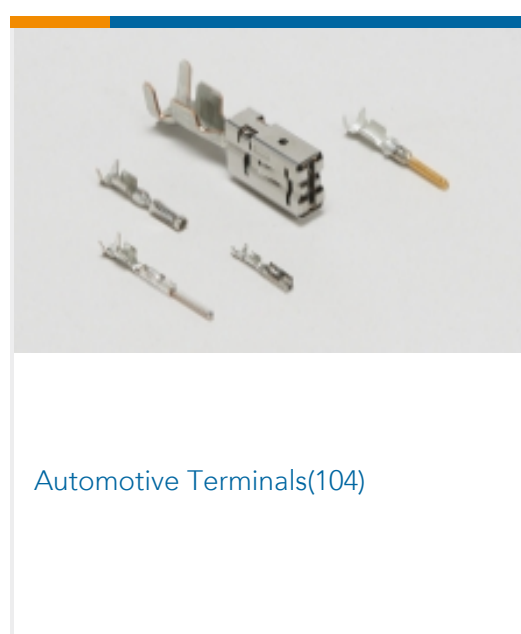
Automotive Connector EMC Shielding (3)



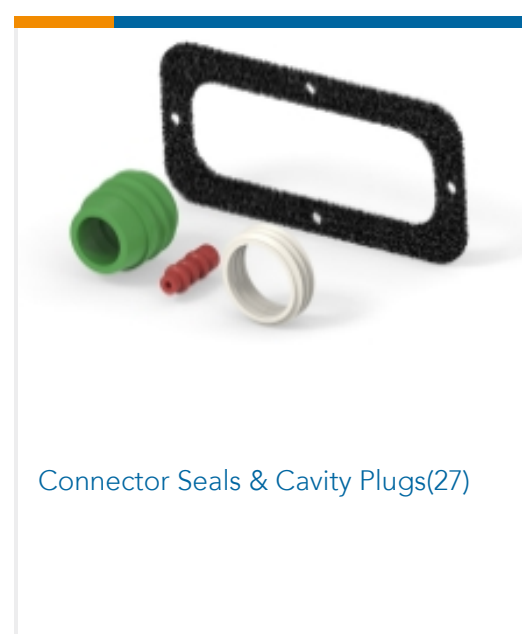
Automotive Connector Locks & Position Assurance(30)



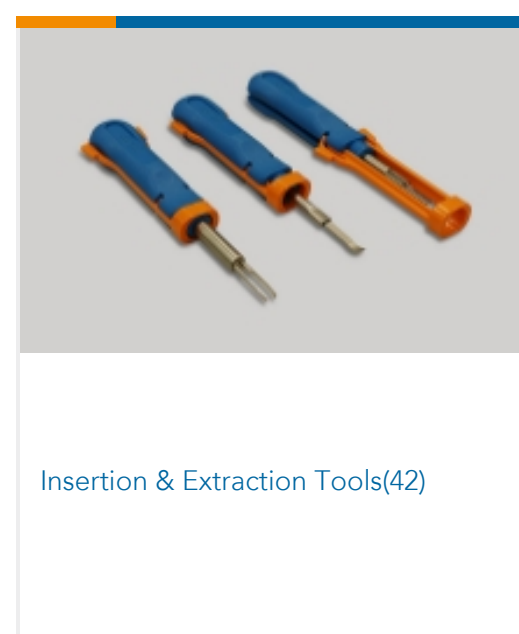
Automotive Housings(506)



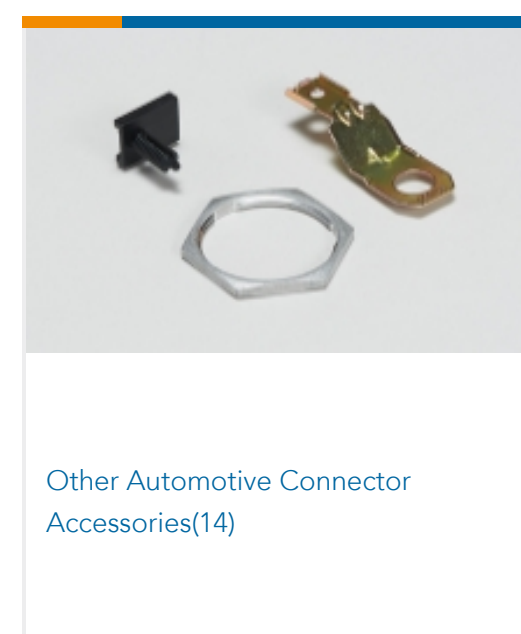
Automotive Terminals(104)



Connector Seals & Cavity Plugs(27)



Insertion & Extraction Tools(42)



Other Automotive Connector Accessories(14)



PCB Headers & Receptacles(214)

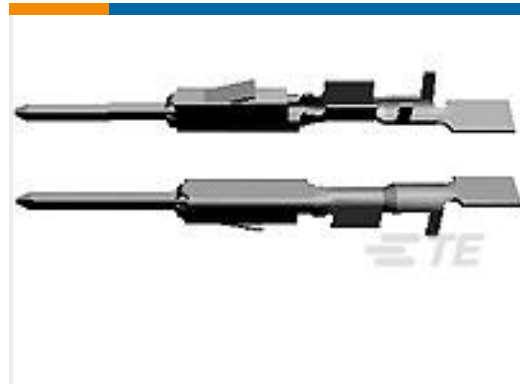
## Customers Also Bought



TE Part #1-1241370-3  
MQS, CONNECTOR HOUSING



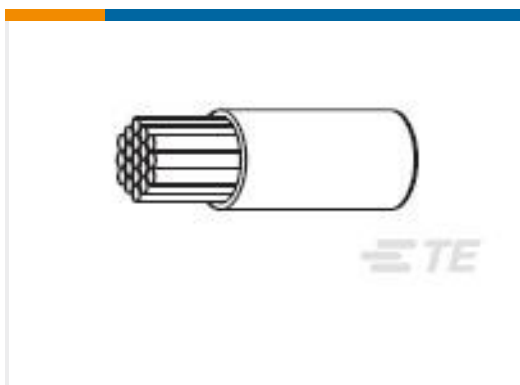
TE Part #1355922-1  
GET GEH. 6P



TE Part #5-965908-2  
MQS0,63 Au tab LL EDS 0,5-0,75



TE Part #1-963725-1  
MQS PIN CONTACT



TE Part #E960193001  
FLHTC0311-0.35-4



TE Part #2035363-7  
1X6 GENERATION Y ASSY KEY E



TE Part #2315584-2  
1POS,JPT,REC HSG ASSY,UNSLD



TE Part #2822993001  
44A0211-8-0

## Documents

### Product Drawings

[2POS MQS TAB COD A](#)

English

### CAD Files

[3D PDF](#)

3D

Customer View Model

[ENG\\_CVM\\_CVM\\_1-968699-1\\_B.2d\\_dxf.zip](#)

English

Customer View Model

[ENG\\_CVM\\_CVM\\_1-968699-1\\_B.3d\\_igs.zip](#)

English

Customer View Model

[ENG\\_CVM\\_CVM\\_1-968699-1\\_B.3d\\_stp.zip](#)

English

By downloading the CAD file I accept and agree to the [Terms and Conditions](#) of use.



---

### Datasheets & Catalog Pages

[Micro Quadlok Interconnection System \(MQS\)](#)

English

---

### Product Specifications

[MICRO QUADLOK SYSTEM PIN- AND SOCKET HOUSING WITH INTEGRATED RETAINER](#)

English

[Application Specification](#)

English