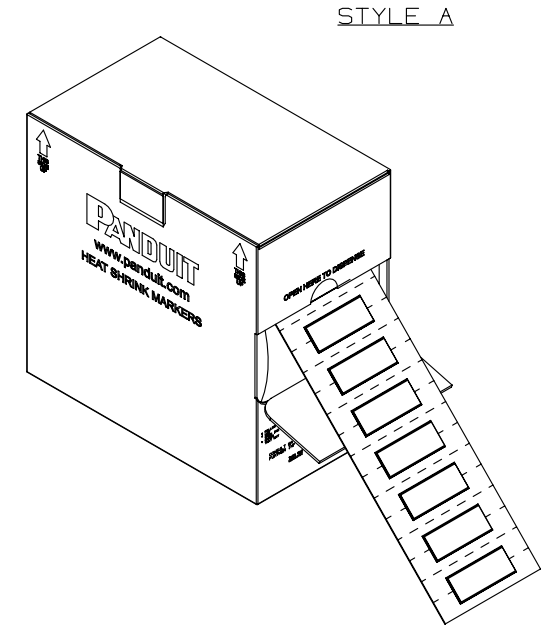
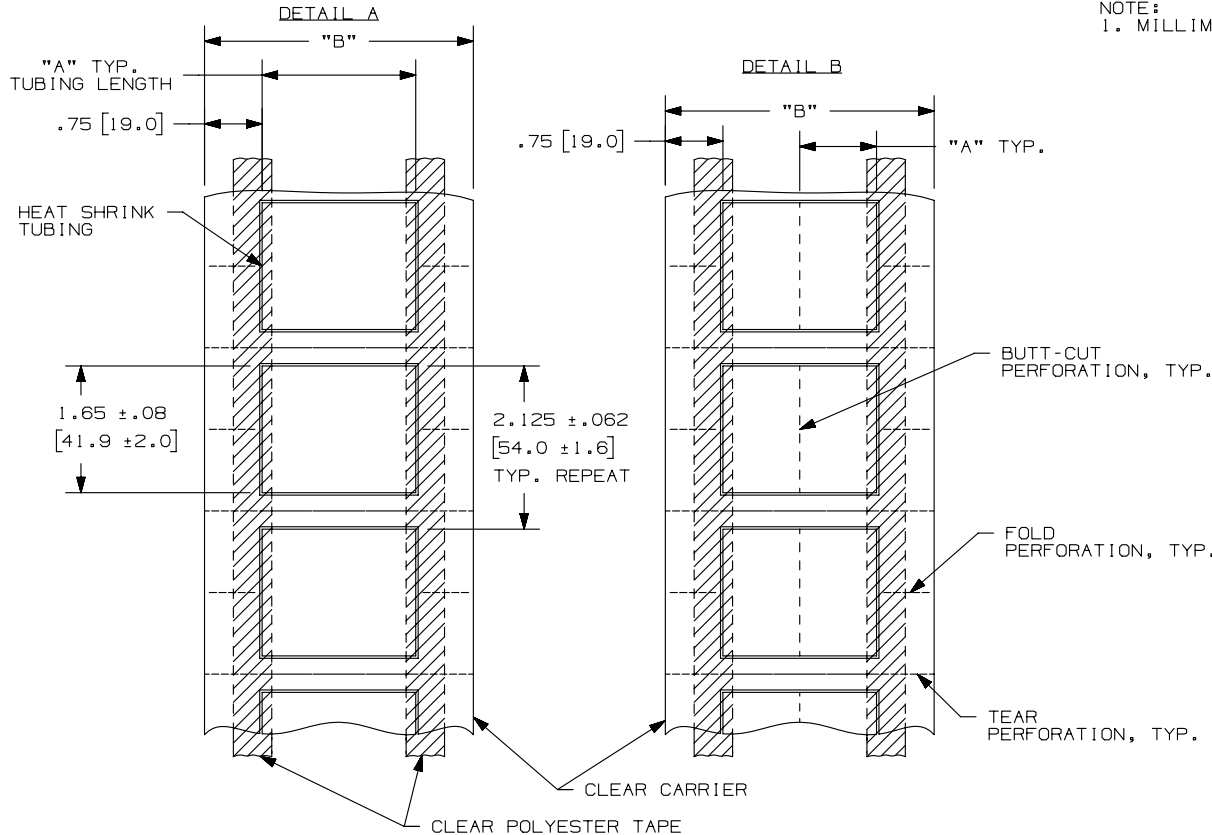


THIS COPY IS PROVIDED ON A RESTRICTED BASIS AND IS NOT TO BE USED IN ANY WAY DETRIMENTAL TO THE INTERESTS OF PANDUIT CORP.

PART NUMBER	SEE DETAIL	MATERIAL	"A" +/- .062	"B" +/- .062	INSIDE NOMINAL DIA.	MIN. ID SUPPLIED	MAX. ID RECOVERED	MARKER ACROSS	TUBING COLOR	PKG. QTY.	SEE STYLE
H100X165HFT-2	B	GMUHF	1.00 [25.4]	3.50 [88.9]	1 in. [25.4 mm]	1.00 [25.4]	0.50 [12.7]	2	WHITE	500	A
H200X165HFT-2	A		2.00 [50.8]					1		250	
H100X165HGT-2	B		1.00 [25.4]					2		500	
H200X165HGT-2	A		2.00 [50.8]					1		250	

NOTE:
1. MILLIMETER ARE IN [].



REV	DATE	BY	CHK	APR	DESCRIPTION	ECN
2	2/4/13	RVU	DAPE	SEWH	UPDATE ON TEMPLATE FOR 'A' WITH NEW LOGO.	GAECN00577
1	8/23/11	RVU	DAPE		UPDATE ON VIEW.	6481
0	6/2/11	RVU	DAPE		DRAWING RELEASE.	6412

TITLE	
H***X165H*T-2 TWO-SIDED HEAT SHRINK LABEL, HALOGEN FREE CUSTOMER DRAWING	
ITEM REVISION NAME	100472XP/02
DATASET FILE NAME	100472XP-DC-C10931/02D
UNLESS OTHERWISE SPECIFIED, DIMENSIONAL TOLERANCES ARE: IN [mm]	
.x ± .12 [3.05]	.xxx ± .015 [.381]
.xx ± .062 [1.57]	ANGLES ±
THIRD ANGLE PROJECTION	
MATERIAL:	
HEAT SHRINK TUBING, GMUHF21	
DRAWING NUMBER:	
C10931	
DRAWN BY	DATE
RVU	6/2/11
CHK	SCALE
MSAD	NTS
SHT 1 OF 1	
SIZE	
A	

D10100DA/12