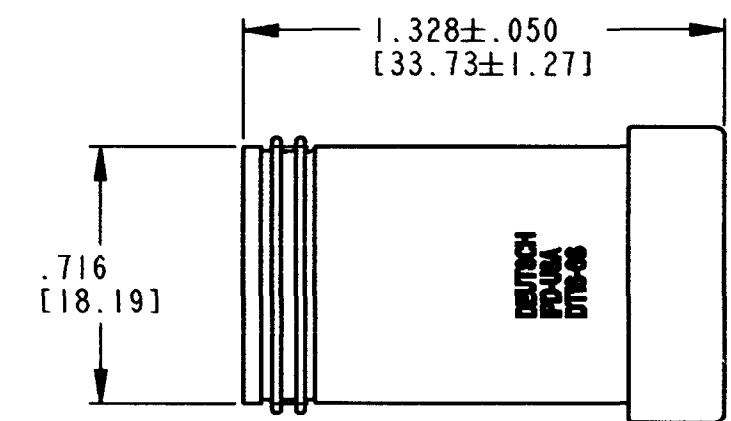
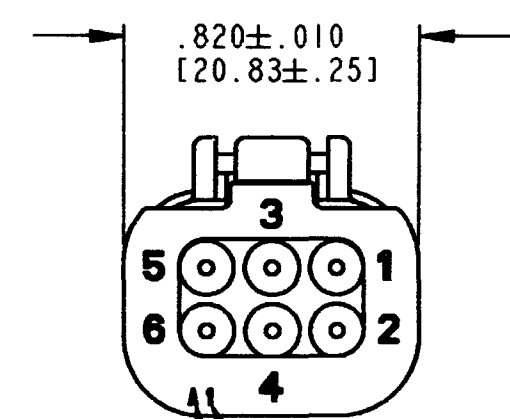
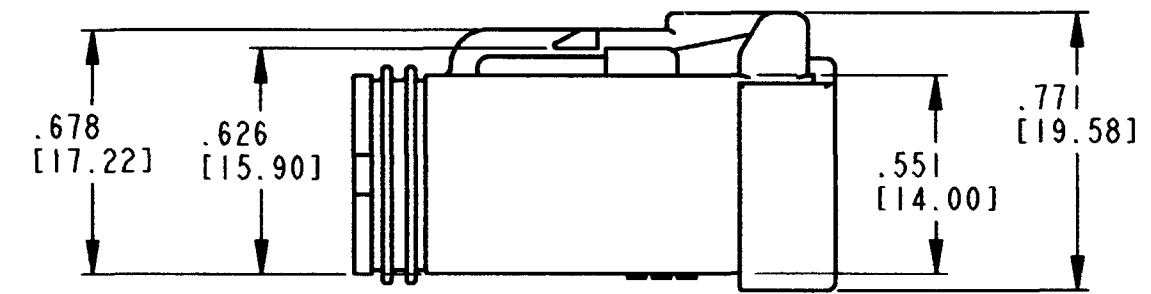
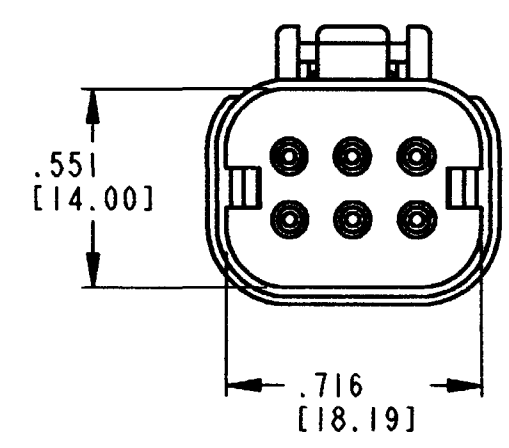


REV
A DT16-6S-KP01

REVISIONS			
SYM	DESCRIPTION	DATE	APPROVED
NC	NEW RELEASE PER E.O. P18736	6/23/05	R.D.R
A	REVISED PER E.O. P18996	8-5-05	RDR



DATE CODE
MONTH IS REPRESENTED
BY SEQUENTIAL ALPHA CHARACTERS.
EX: A = JANUARY

YEAR IS REPRESENTED BY
THE LAST NUMERICAL DIGIT.
EX: 1 = 2001

CONTACT SIZE	MIN. INSUL. O.D.	MAX. INSUL. O.D.	WIRE RANGE [mm ²] REF ONLY ³
16	.053 [1.35]	.120 [3.05]	14-20 AWG [2.0-0.5]

3. FOR CONTACT SPECIFICATION AND APPLICATION, SEE ENVELOPE DWG. 0425-017-0000 AND 0425-015-0000.
2. DIMENSIONS ARE ± .025 [0.64] UNLESS OTHERWISE SPECIFIED.
- NOTES: 1. DIMENSIONS ARE IN INCHES [MILLIMETERS].

SIGNATURE & DATE	
DR	T. YOHANNES 01AUG02
CHK	D Meyer 8/5/05
PE	Legh Johnson 8/1/05
APPD	S Brand 8-1-05
SCALE	NONE WT

4 WAY PLUG HOUSING
WITH 6-CAVITY INTERFACE
-KP01 MOD
COLOR: GREEN
D.T. SERIES

ENVELOPE

CP	MATL. CODE
The Deutsch Company	DEUTSCH I.P.D. 3850 INDUSTRIAL AVE. HEMET, CALIF. 92545
B	DT16-6S-KP01
DWG SIZE	CODE 17139 SHEET OF