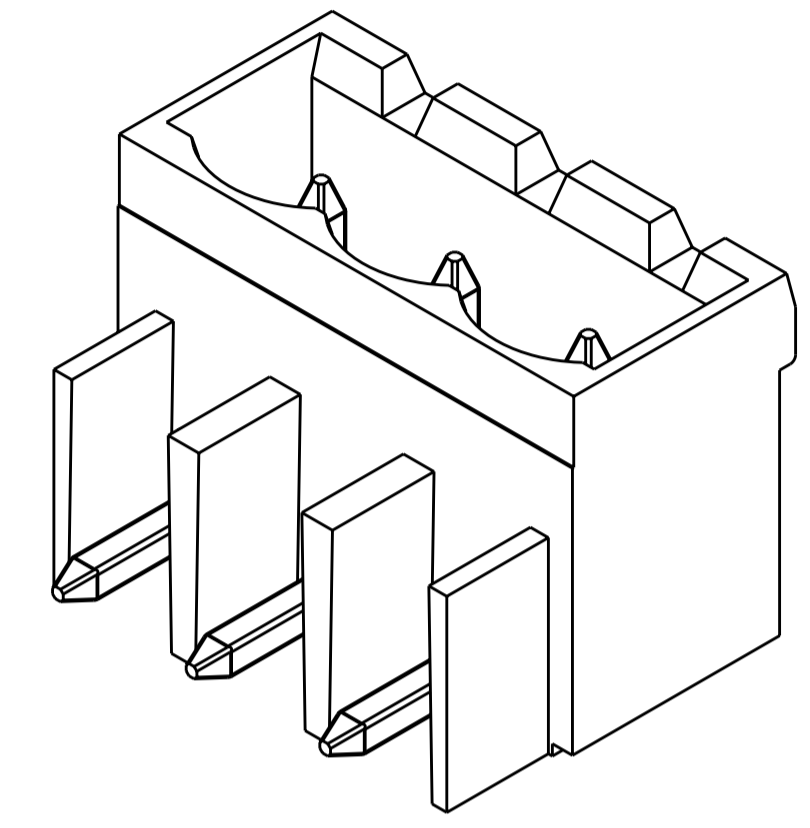
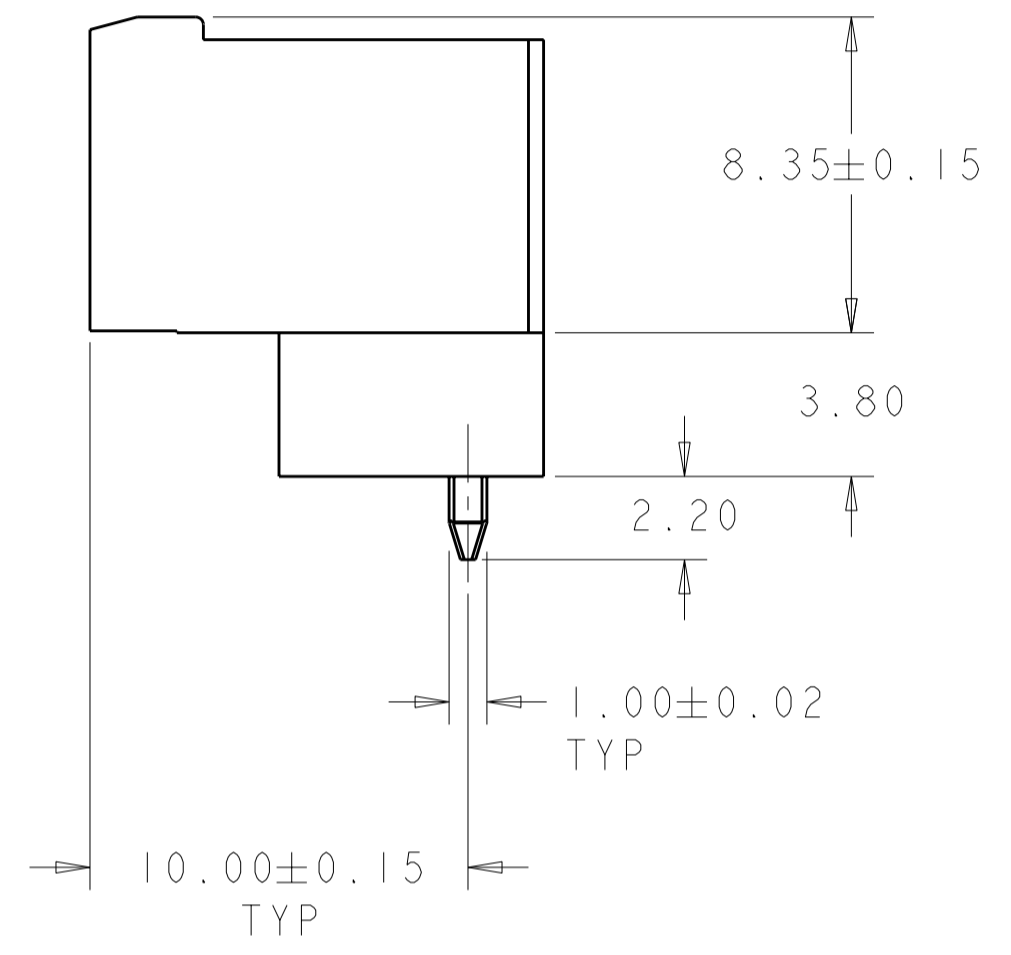
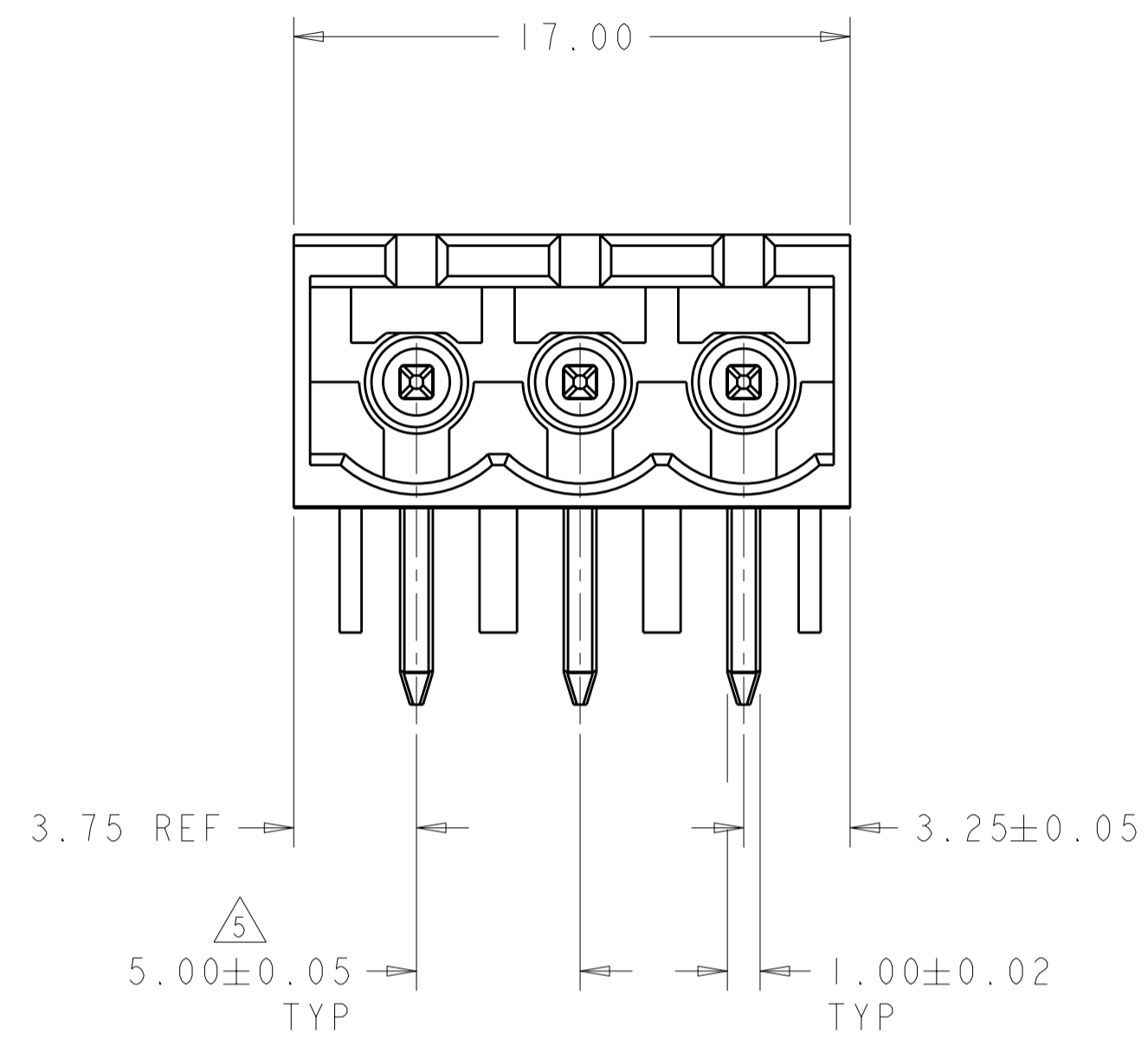
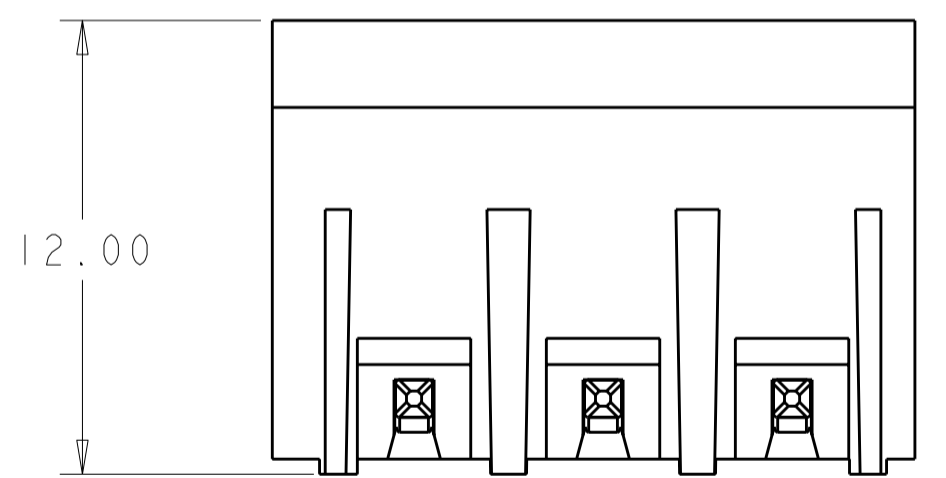


THIS DRAWING IS UNPUBLISHED. RELEASED FOR PUBLICATION 20
 © COPYRIGHT 20 Tyco Electronics AMP GmbH ALL RIGHTS RESERVED.

LOC		DIST		REVISIONS			
P	LTR	DESCRIPTION	DATE	DWN	APVD		
FT	0	A2	REVISED PER ECO-12-007964	02MAY2012	KH	MS	

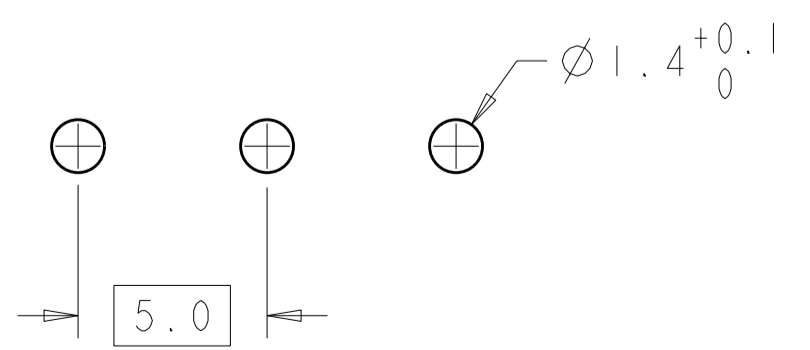


1776943-3 AS SHOWN



- MATERIAL AND FINISH:
HOUSING - PA 6-6, UL 94 V-0 RATED, COLOR: GREEN.
TERMINAL - COPPER ALLOY, TIN PLATED.
 - SUITABLE FOR 1.6-2.4 mm PC BOARD THICKNESS.
 - RECOGNIZED UNDER THE COMPONENT PROGRAM OF UNDERWRITERS LABORATORIES INC. FILE NO. E60677.
 - IMQ CERTIFICATE WITH SURVEILLANCE IN CONFORMITY WITH IEC 998-1/998-2-1
- ⚠ NOT CUMMULATIVE TOLERANCE.

	NO OF POSN	PART NUMBER
PRELIMINARY	8	1776943-8
PRELIMINARY	7	1776943-7
PRELIMINARY	6	1776943-6
PRELIMINARY	5	1776943-5
-	4	1776943-4
PRELIMINARY	3	1776943-3
PRELIMINARY	2	1776943-2



RECOMMENDED PC BOARD LAYOUT

THIS DRAWING IS A CONTROLLED DOCUMENT.		DWN S. WELDON 28NOV2006	STE TE Connectivity	
DIMENSIONS: mm		CHK C. RICHARD 28NOV2006		
TOLERANCES UNLESS OTHERWISE SPECIFIED:		APVD C. RICHARD 28NOV2006	NAME: TERMINAL BLOCK HEADER ASSEMBLY, 90 DEGREE, CLOSED ENDS, 5.00mm PITCH	
0 PLC ±-		PRODUCT SPEC	SIZE	CAGE CODE
1 PLC ±0.3		APPLICATION SPEC	A2	00779
2 PLC ±0.25		WEIGHT	©	1776943
3 PLC ±0.000		MATERIAL	SCALE 5:1	SHEET 1 OF 1
4 PLC ±0.000		FINISH	CUSTOMER DRAWING	REV A2
ANGLES ±				