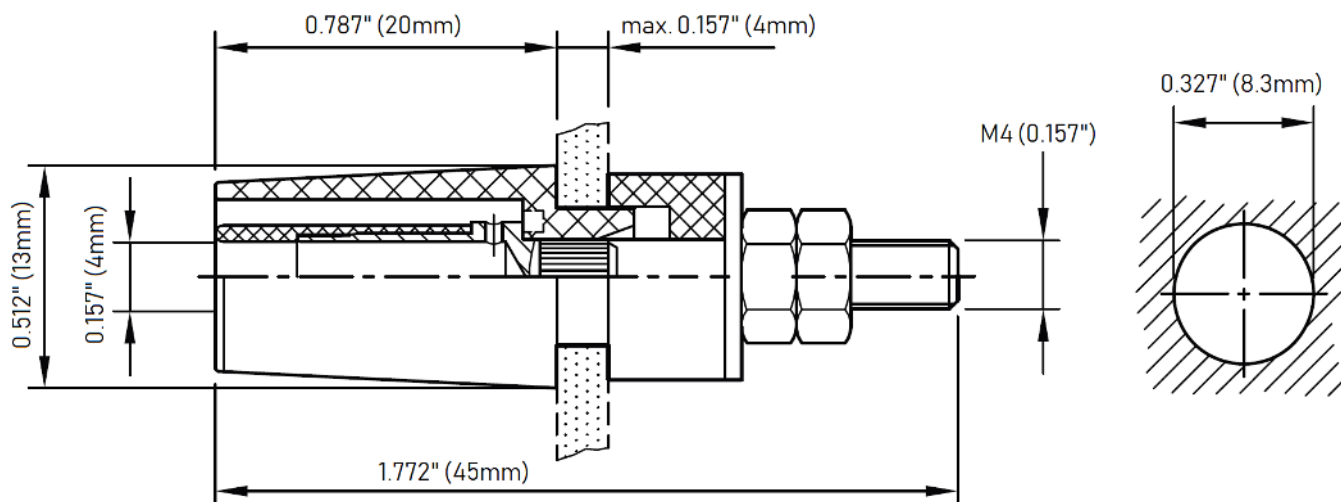


**Model 73098**  
**4mm Mounting Safety Jack****Features**

- Insulated 4mm safety jack for sheathed banana plugs
- Ideal for mounting in pre-drilled panels
- Safety jack is raised for easy access
- Machined brass
- Includes panel mount banana jack and 2 hex nuts
- Compatible with popular Pomona test lead models 5907A, 5908A, and 5909A test lead sets

**Ratings**

Voltage: CAT II 1000V

Current: 32 A

**Ordering Information**Model: 73098-*color**Color*: 0=Black, 2=Red, 6=Blue

4mm Mounting Safety Jack



**USA:** Sales: 800-490-2361  
Technical Support: [technicalsupport@pomonatest.com](mailto:technicalsupport@pomonatest.com)  
Fax: 425-446-5844  
**Europe:** 31-(0) 40 2675 150 **International:** 425-446-5500  
**Where to Buy:** [www.pomonaelectronics.com](http://www.pomonaelectronics.com)

All dimensions are in inches. Tolerances (except noted): .xx =  $\pm 0.02$ " (.51 mm), .xxx =  $\pm 0.005$ " (.127 mm). All specifications are to the latest revisions. Specifications are subject to change without notice. Registered trademarks are the property of their respective companies.