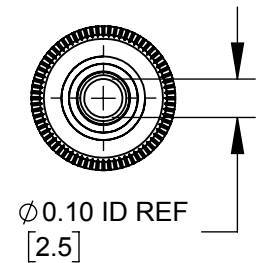
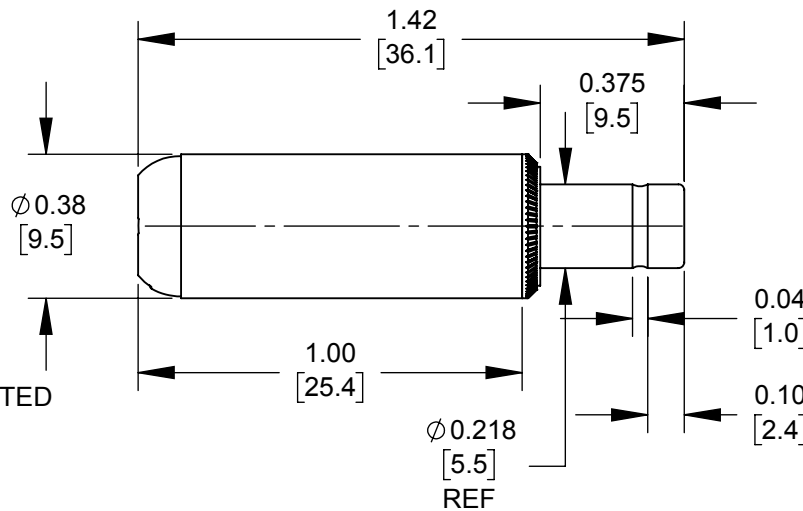
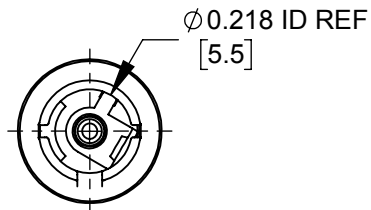


PART NUMBER	HANDLE COLOR
760Z	BLACK
765Z	RED



NOTES:

- MATERIALS:  
 CONDUCTORS - COPPER ALLOY, NICKEL PLATED  
 TERMINALS - COPPER ALLOY, TIN PLATED  
 INSULATORS & HANDLE - THERMOPLASTIC
- THIS PRODUCT IS RoHS COMPLIANT.

**CUSTOMER DRAWING**

					THIS DRAWING DESCRIBES A DESIGN CONSIDERED PROPRIETARY IN NATURE, DEVELOPED AND MANUFACTURED BY SWITCHCRAFT INC. AND IS RELEASED ON A CONFIDENTIAL BASIS FOR IDENTIFICATION PURPOSES ONLY.						
					SIZE *	WIDTH *	MULT *	LBS/M *	TEMPER *		
					FINISH *			MATERIAL *			
					SPEC No. *			SPEC No. *			
					FIRST USED ON *		SCALE 2:1				
0A	FIRST DRAWN	10/23/19	AM	*	DATE DRAWN	BY	CHKD *	APVD *			
					10/23/19	AM	*	*			
REV	ECO NUMBER	DATE	BY	APVD	NAME			PART No.	REV		
REVISIONS					DO NOT SCALE DRAWING			0.10 [2.5]mm X 0.374 LONG IMPROVED POWER PLUG, RoHS		760Z-765Z	0A

