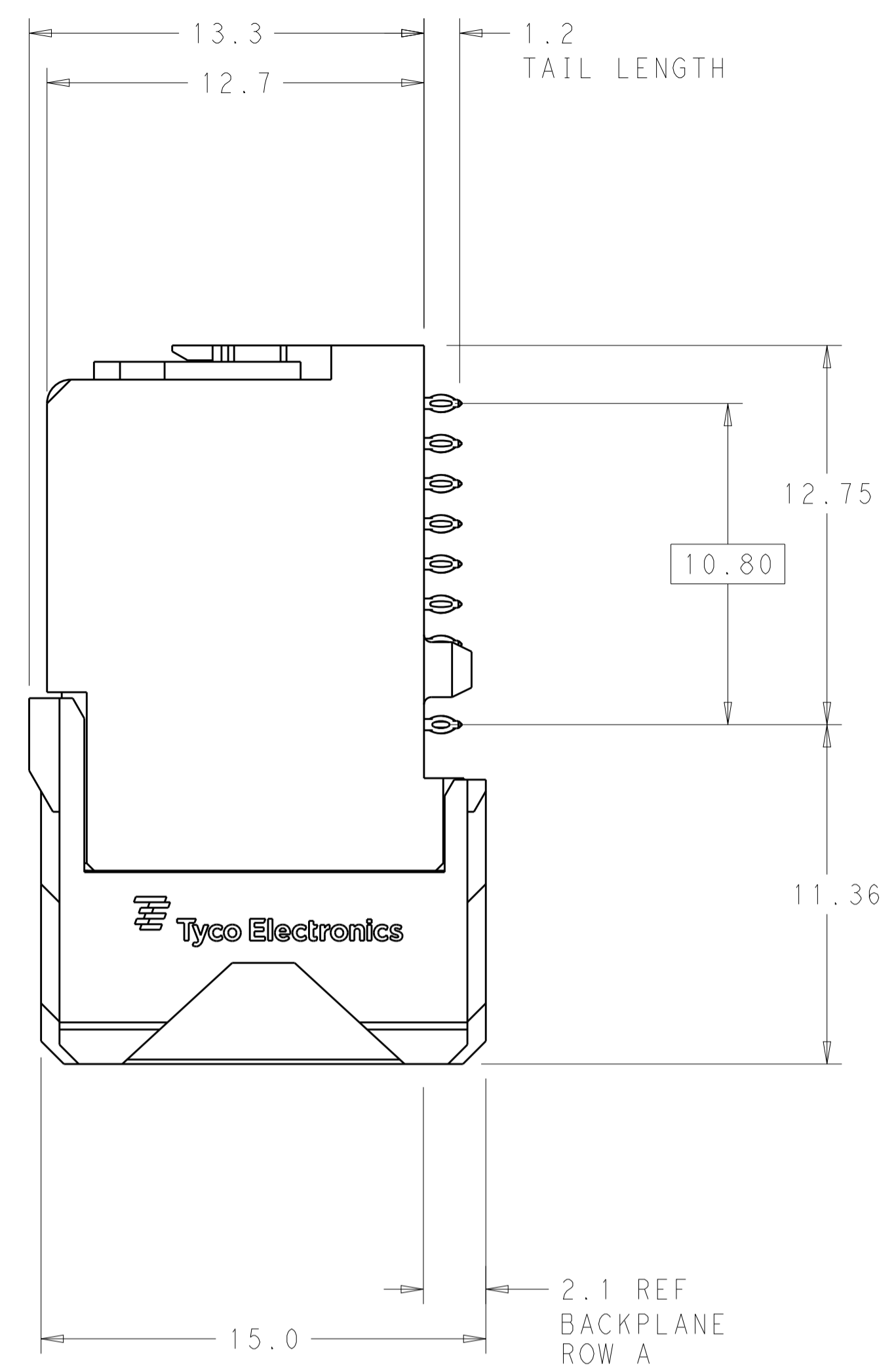
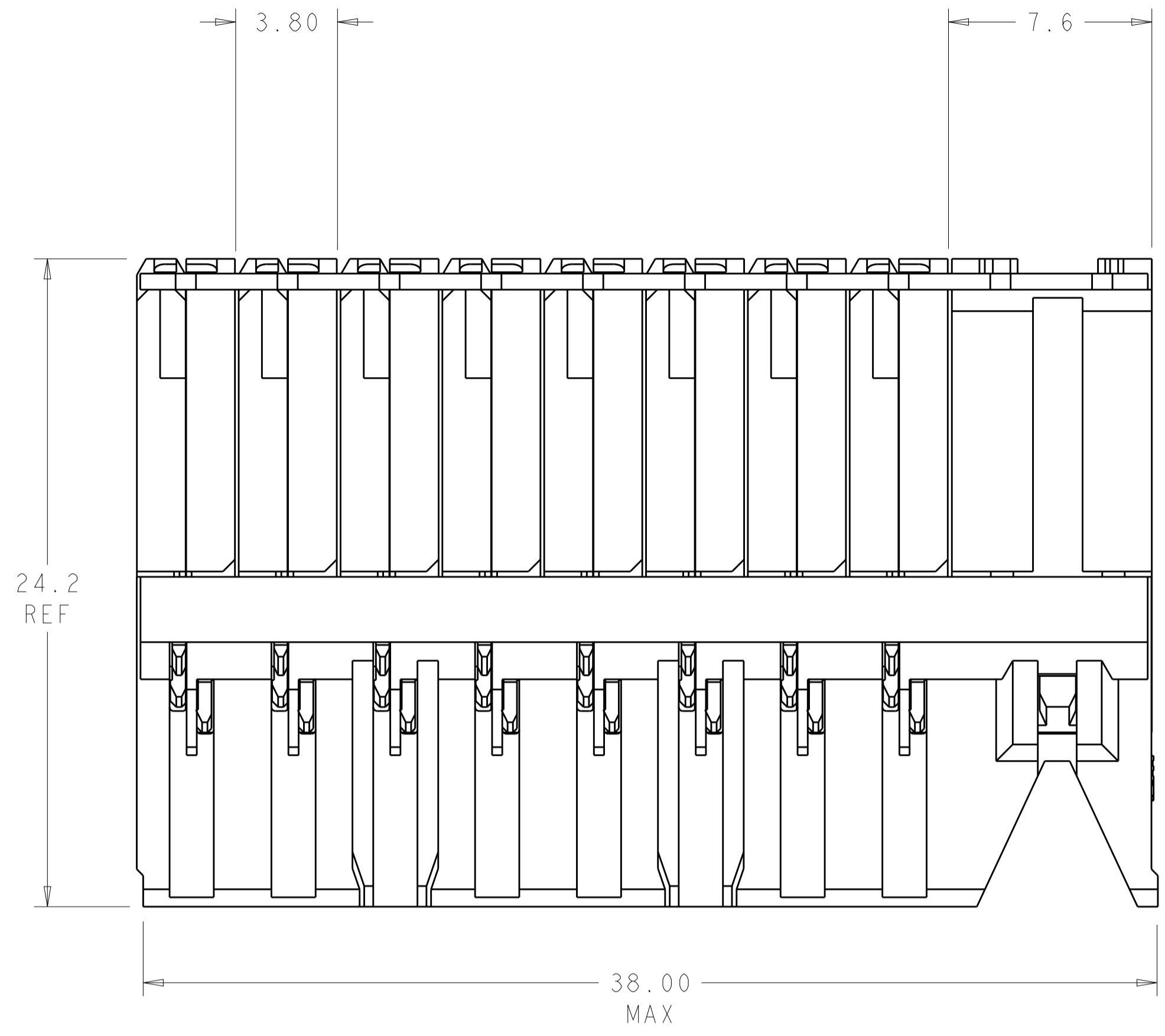
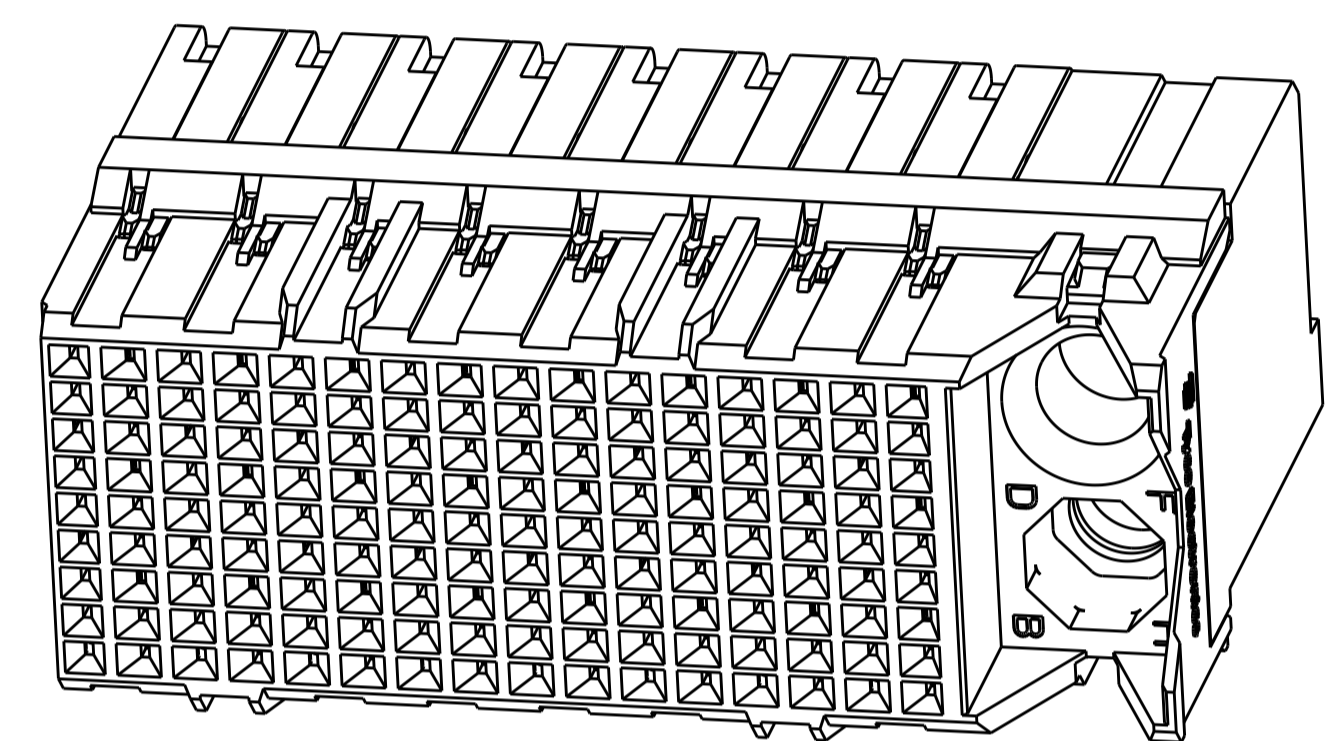


LOC	DIST	REVISIONS					
		P.	LTN	DESCRIPTION	DATE	DWN	APVD
AD	00	C1		REVISED PER ECO-14-018035	11MAR2015	AP	DD

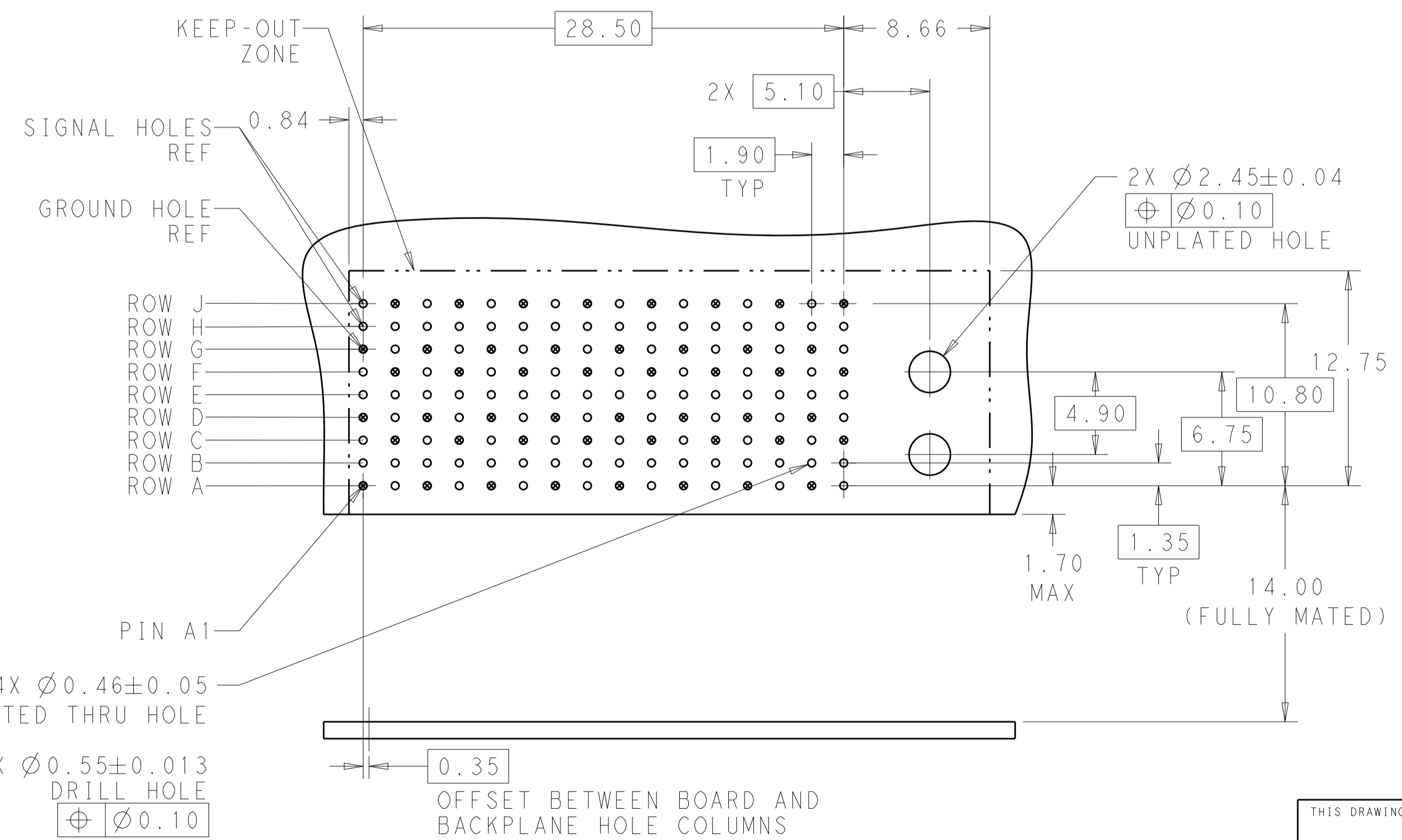
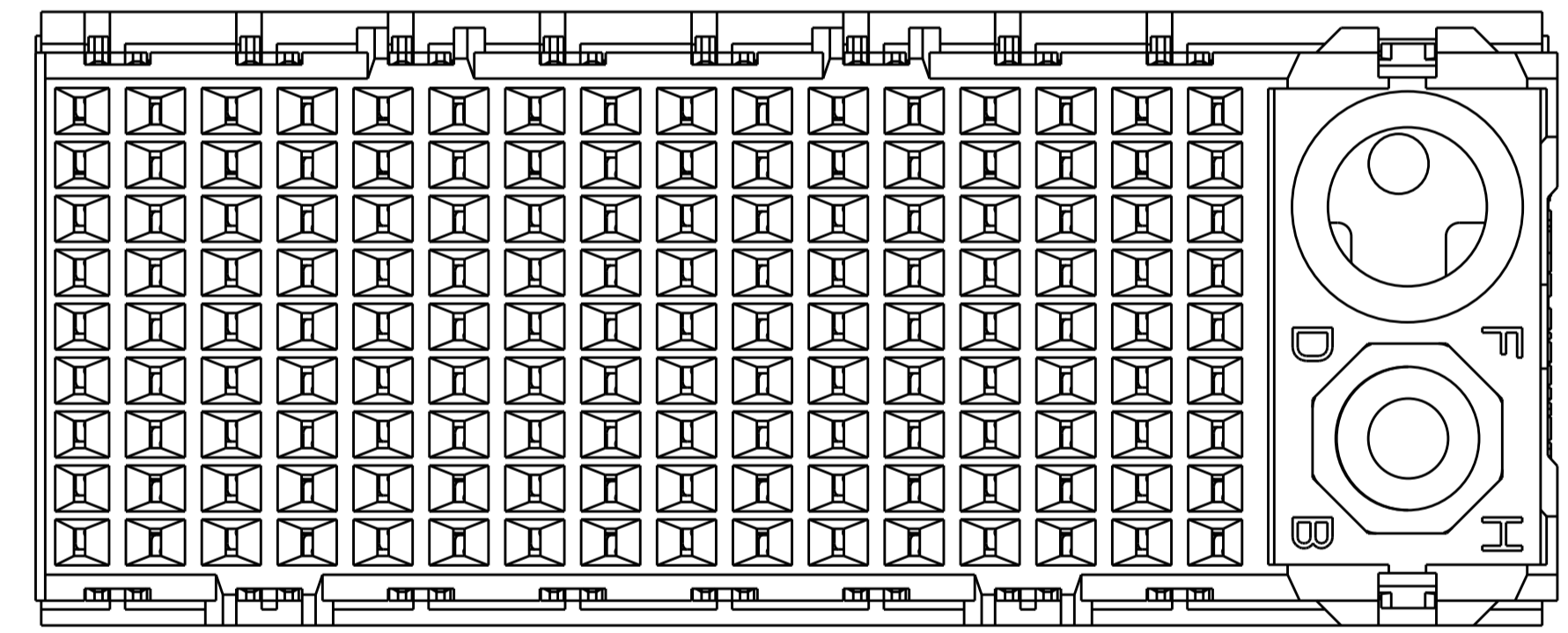


- ⚠ MATERIAL:  
HOUSING: LCP, GLASS FILLED, UL94V-0.  
TERMINALS: HIGH PERFORMANCE COPPER ALLOY.
- ⚠ FINISH:  
30µ" SELECTIVE GOLD IN CONTACT AREA. SELECTIVE TIN ON PCB TAILS, NICKEL OVERALL.
- 3. CONNECTORS SUPPLIED WITH MOUNTING SCREWS



SCALE 4:1

REFER TO WWW.TE.COM FOR PRODUCT AVAILABILITY



KEY POSITION CHART	
	NONE

H	⚠	8-2007707-1
G	⚠	7-2007707-1
F	⚠	6-2007707-1
E	⚠	5-2007707-1
D	⚠	4-2007707-1
C	⚠	3-2007707-1
B	⚠	2-2007707-1
A	⚠	1-2007707-1
NONE	⚠	2007707-1
KEY POSITION	FINISH	PART NUMBER

PIN A1  
144X Ø0.46±0.05 PLATED THRU HOLE  
144X Ø0.55±0.013 DRILL HOLE  
Ø0.10

RECOMMENDED PCB LAYOUT  
MIN BOARD THICKNESS 1.0

THIS DRAWING IS A CONTROLLED DOCUMENT.

DIMENSIONS:	TOLERANCES UNLESS OTHERWISE SPECIFIED:	DWN B. CARBO 05JAN2011	NAME
mm	0 PLC ±0.2	CHK D. DIXON 05JAN2011	IMPACT, 3 PAIR, DAUGHTERCARD
	1 PLC ±0.13	APVD D. DIXON 05JAN2011	16 COLUMN, RIGHT GUIDED, SIGNAL
	2 PLC ±0.13	PRODUCT SPEC	MODULE, 0.46 EYELET
	3 PLC ±0.13	APPLICATION SPEC	SIZE CAGE CODE DRAWING NO RESTRICTED TO
	4 PLC ±0.13	WEIGHT	A100779C=2007707
ANGLES	SEE TABLE	Customer Drawing	SCALE 6:1 SHEET 1 OF 1 REV C1