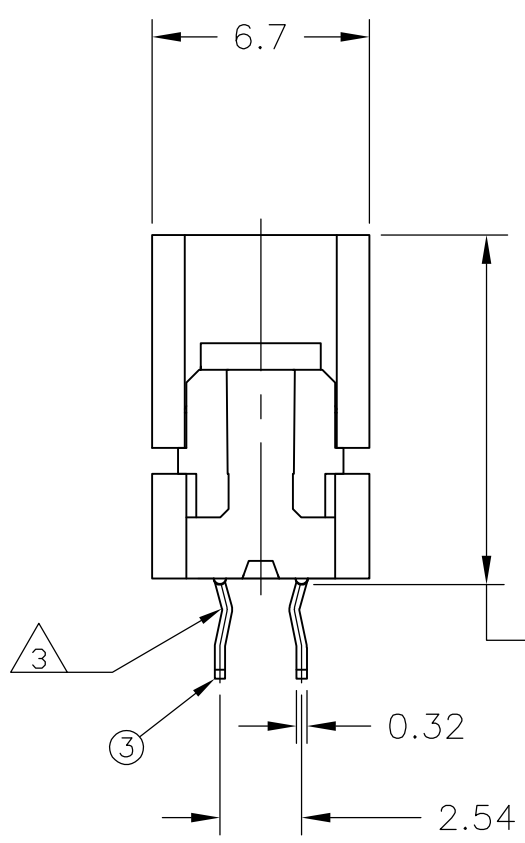
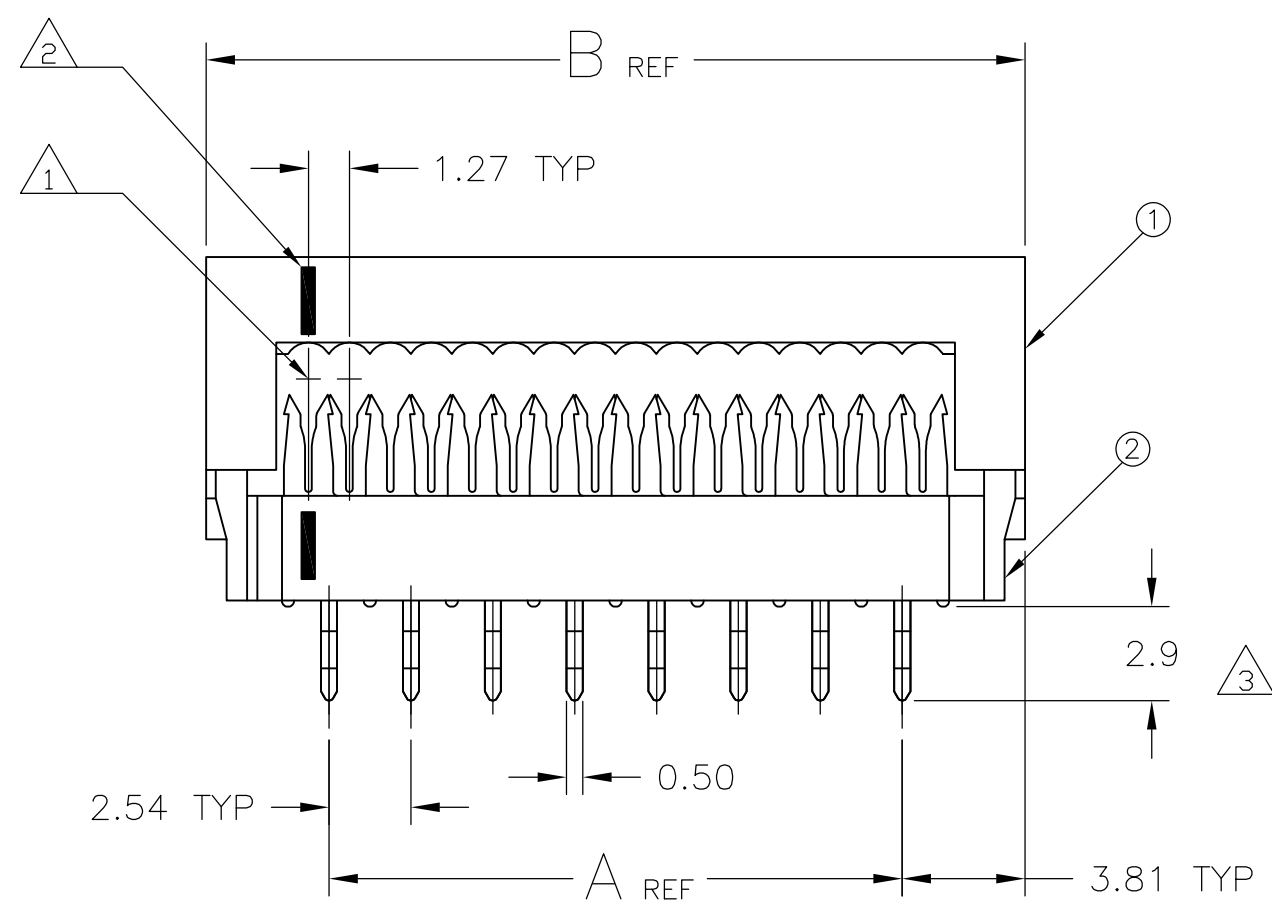


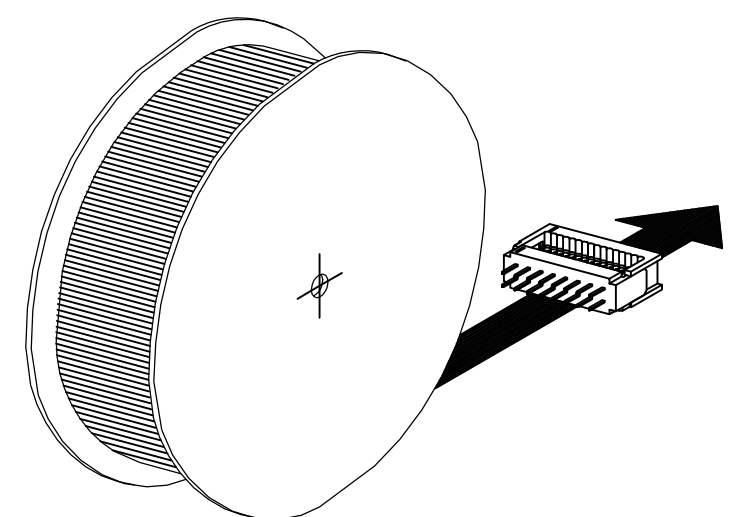
THIS DRAWING IS UNPUBLISHED. RELEASED FOR PUBLICATION
 © COPYRIGHT - By - ALL RIGHTS RESERVED.

LOC	DIST	REVISIONS					
GP	00	P	LTR	DESCRIPTION	DATE	DWN	APVD
			C3	REDRAWN PER ECO-11-017642	06JAN2012	CJV	CWR



CONNECTOR HEIGHT AFTER CABLE TERMINATION $\triangle 1$

- $\triangle 1$ CONNECTOR IS DESIGNED FOR FLAT RIBBON CABLE ON 1.27 CENTERS. FOR CABLE REQUIREMENTS SEE APPLICATION SPECIFICATION 114-19022.
- $\triangle 2$ INDICATION OF FIRST CABLE POSITION REFERRING TO CORRESPONDING CONTACT POSITION (BLACK INK MARKS)
- $\triangle 3$ SOLDER-TINES FOR 0.8±0.05 DIAMETER HOLES.
- $\triangle 4$ 3.0-5.1µm TIN WITH ENTIRE NICKEL UNDERCOATING.



1000	86.36	78.74	64	6-216792-4	
1000	81.28	73.66	60	6-216792-0	
1000	68.58	60.96	50	5-216792-0	
1500	60.96	53.34	44	4-216792-4	
1500	55.88	48.26	40	4-216792-0	
1500	48.26	40.64	34	3-216792-4	
1500	38.10	30.48	26	2-216792-6	
1500	30.48	22.86	20	2-216792-0	
1500	25.40	17.78	16	1-216792-6	
1500	22.86	15.24	14	1-216792-4	
1500	17.78	10.16	10	1-216792-0	
OBSOLETE	1500	12.70	5.08	6	216792-6
QUANTITY PER REEL	B	A	NO. OF DUAL POS.	PART NUMBER	

PLATING AND COLOR	MATERIAL	DESCRIPTION	ITEM NO.
$\triangle 4$	PHOSPHOR BRONZE	CONTACTS	3
GREY	THERMOPLASTIC POLYESTER	HOUSING AND COVER	2
GREY	THERMOPLASTIC POLYESTER	HOUSING	1

THIS DRAWING IS A CONTROLLED DOCUMENT.

DWN	C. VALENTINE	06JAN2012
CHK	C. ROHDE	06JAN2012
APVD	C. ROHDE	06JAN2012
PRODUCT SPEC	108-19033	
APPLICATION SPEC	-	
WEIGHT	-	

STE TE Connectivity

AMP LATCH 2.54 DIL-PLUG CONNECTOR, W/ RETENTION FEATURE, TAPE MOUNTED ON REEL

SIZE	CAGE CODE	DRAWING NO	RESTRICTED TO
A3	00779	C-216792	-

CUSTOMER DRAWING SCALE NTS SHEET 1 OF 2 REV C3

THIS DRAWING IS UNPUBLISHED.

RELEASED FOR PUBLICATION

-. -. .

LOC

DIST

REVISIONS

© COPYRIGHT - By -

ALL RIGHTS RESERVED.

GP

00

P

LTR

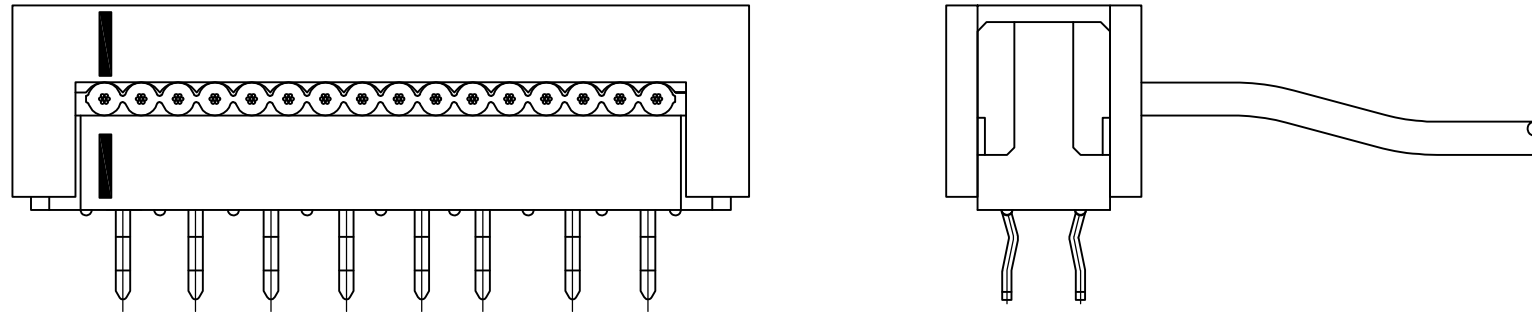
DESCRIPTION

DATE

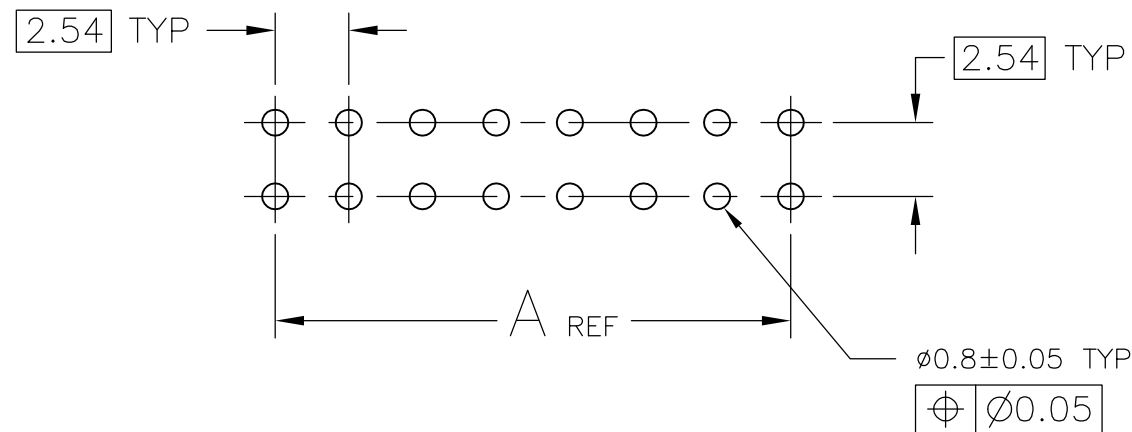
DWN

APVD

SEE SHEET 1



RECOMMENDED PCB-HOLE PATTERN



THIS DRAWING IS A CONTROLLED DOCUMENT.

DWN C. VALENTINE 06JAN2012



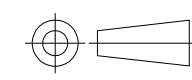
DIMENSIONS: mm

TOLERANCES UNLESS OTHERWISE SPECIFIED:

CHK C. ROHDE 06JAN2012

APVD C. ROHDE 06JAN2012

NAME



- 0 PLC ± -
- 1 PLC ± -
- 2 PLC ± -
- 3 PLC ± -
- 4 PLC ± -
- ANGLES ± -

PRODUCT SPEC

108-19033

AMP LATCH 2.54 DIL-PLUG CONNECTOR, W/ RETENTION FEATURE, TAPE MOUNTED ON REEL

APPLICATION SPEC

SIZE CAGE CODE DRAWING NO RESTRICTED TO

MATERIAL -

FINISH -

WEIGHT -

A3 00779 C-216792 -

CUSTOMER DRAWING

SCALE NTS SHEET 2 OF 2 REV C3