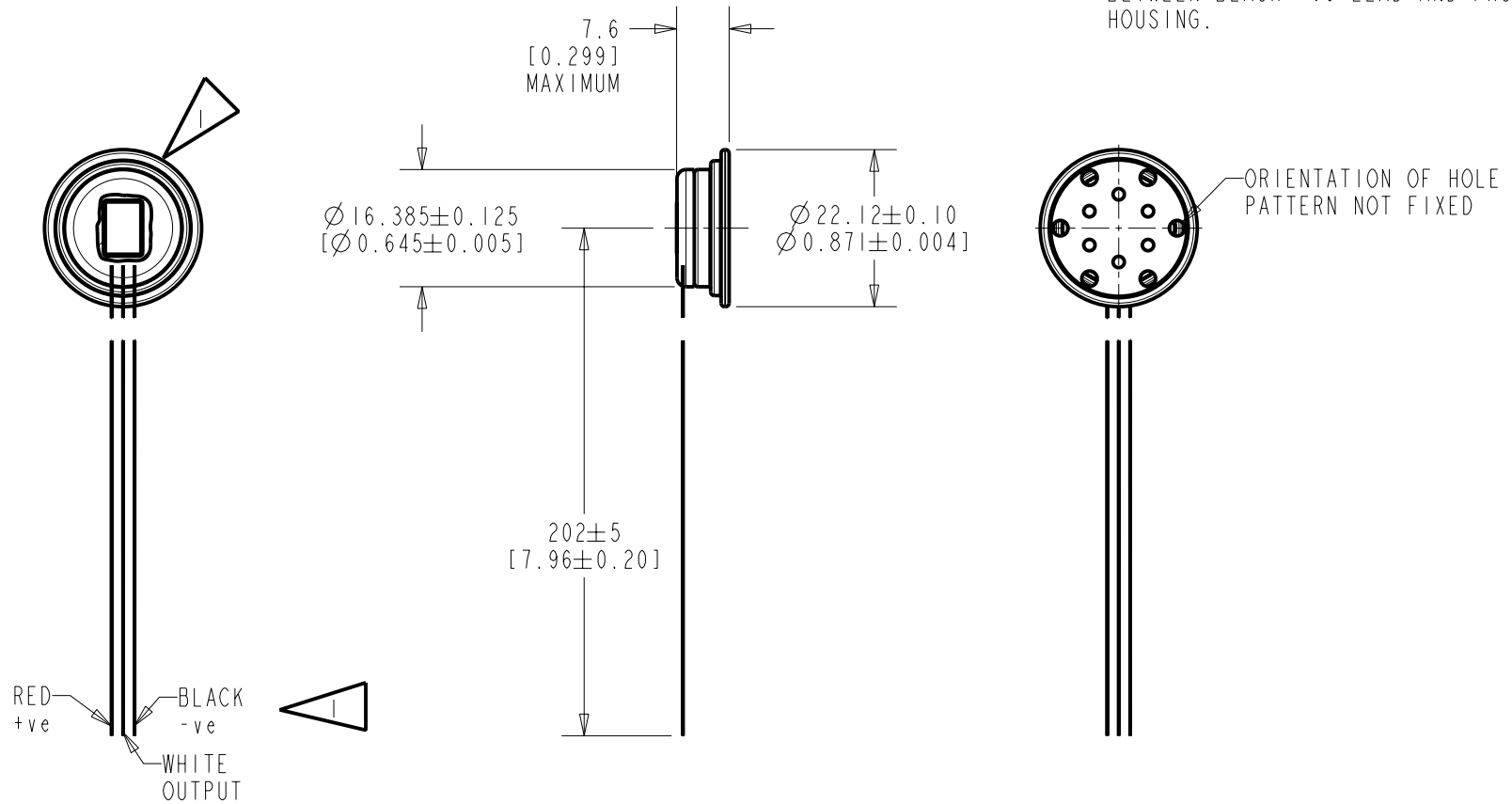


MR-28406-146

SHT 1.1

NOTES:

RESISTANCE OF 100 KOHM MINIMUM BETWEEN BLACK -ve LEAD AND FRONT HOUSING.

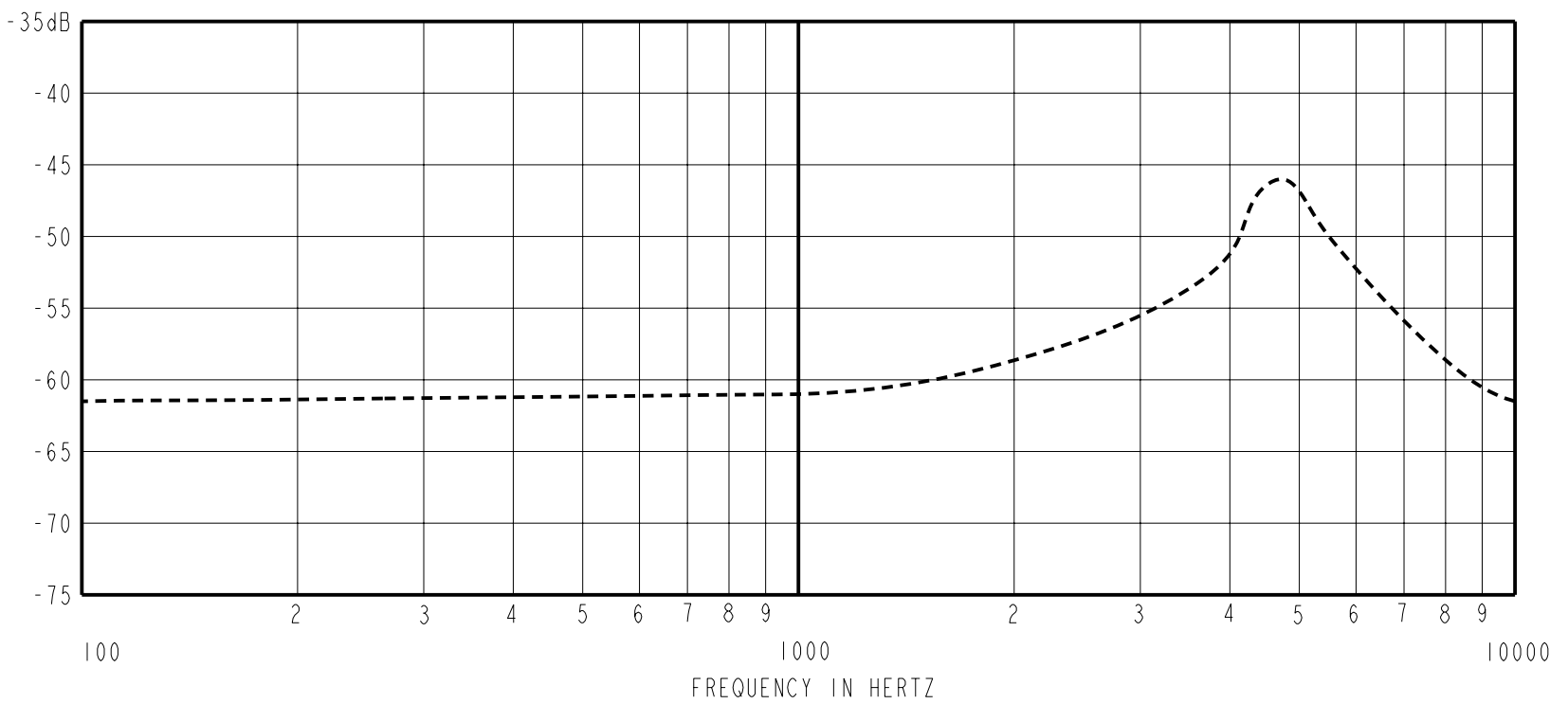


DIMENSIONS IN MILLIMETERS [INCHES]

KNOWLES ELECTRONICS
ITASCA, ILLINOIS U.S.A.

Revision	C.O. #	Implementation Date	RELEASE LEVEL	REVISION
A	MI0101069	3-31-06	Released	A
SCALE: 1:1			DR. BY: MMM	DATE: 3-31-06
DO NOT SCALE DRAWING			CK. BY: CRG	DATE: 3-31-06
TITLE: WATERPROOF MICROPHONE		MR-28406-146	APP. BY: AB	DATE: 4-3-06
OUTLINE DRAWING		SHT 1.1		

SENSITIVITY IN dB RELATIVE TO 1.0 VOLT/0.1 Pa (N/M²)
FOR CONDITIONS SHOWN BELOW.

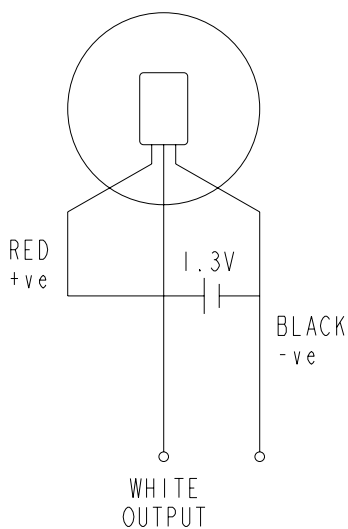


FREQUENCY	SENSITIVITY			DEVICE CONFORMITY	
	MIN.	NOM.	MAX.	RANGE OF DEVIATION FROM 1KHz	
100	---	-61.5	---	-4.0	+1.0
1000	-65.0	-61.0	-58.0	---	---
≈4700	---	-46.0	---	+8.0	+20.0

NOTES:

- CASE OF MICROPHONE CONNECTED TO NEGATIVE LEAD.
- BELLOWS HOUSING INSULATED FROM MICROPHONE.
- MICROPHONE TO BE FUNCTIONAL WITH 20 VDC SUPPLY.
- CONFORMS TO REQUIREMENTS SHOWN ON 'ELECTRET MICROPHONE ENVIRONMENTAL QUALIFICATION TEST, BT-1759 SHEET 2.2.
- MEASUREMENTS MADE WITH UNIT UNDER TEST, SEALED TO AN IEC 318 COUPLER (BRUEL & KJAER PART NO.4153) AFTER A MINIMUM OF 10 MINUTES AT 20M IMMERSION IN WATER AND 43 PSI (GAGE) OR WATER APPLIED TO FACE OF SPEAKER.
- INDIVIDUAL SPECIFICATIONS:

LOAD RESISTANCE ON OUTPUT FOR SENSITIVITY MEASUREMENT OHMS	DC SUPPLY V	OUTPUT IMPEDANCE OHMS			AMPLIFIER CURRENT DRAIN μA MAX	SENSITIVITY CHANGE ON REDUCING SUPPLY TO .9VDC	"A" WEIGHTED NOISE (1 kHz EQUIVALENT SPL) dB SPL MAX
		MIN.	NOM.	MAX.			
10000	1.3	2000	3500	6000	50	3 dB MAX.	30



Revision	C.O. #	Implementation Date	RELEASE LEVEL	REVISION
			Released	A
A	MI0101069	3-31-06		

WHEN TEST LIMITS ARE USED TO ESTABLISH INCOMING INSPECTION ACCEPTANCE/REJECTION CRITERIA, CORRELATION OF TEST EQUIPMENT WITH KNOWLES IS ALSO REQUIRED FOR ELIMINATION OF EQUIPMENT AND TEST METHOD VARIATION		DR. BY	DATE
		MMM	3-31-06
TITLE: WATERPROOF MICROPHONE		CRG	3-31-06
PERFORMANCE SPECIFICATION		MR-28406-146	DATE
		AB	4-3-06
		SHT 2.1	

KNOWLES ELECTRONICS
ITASCA, ILLINOIS U.S.A.