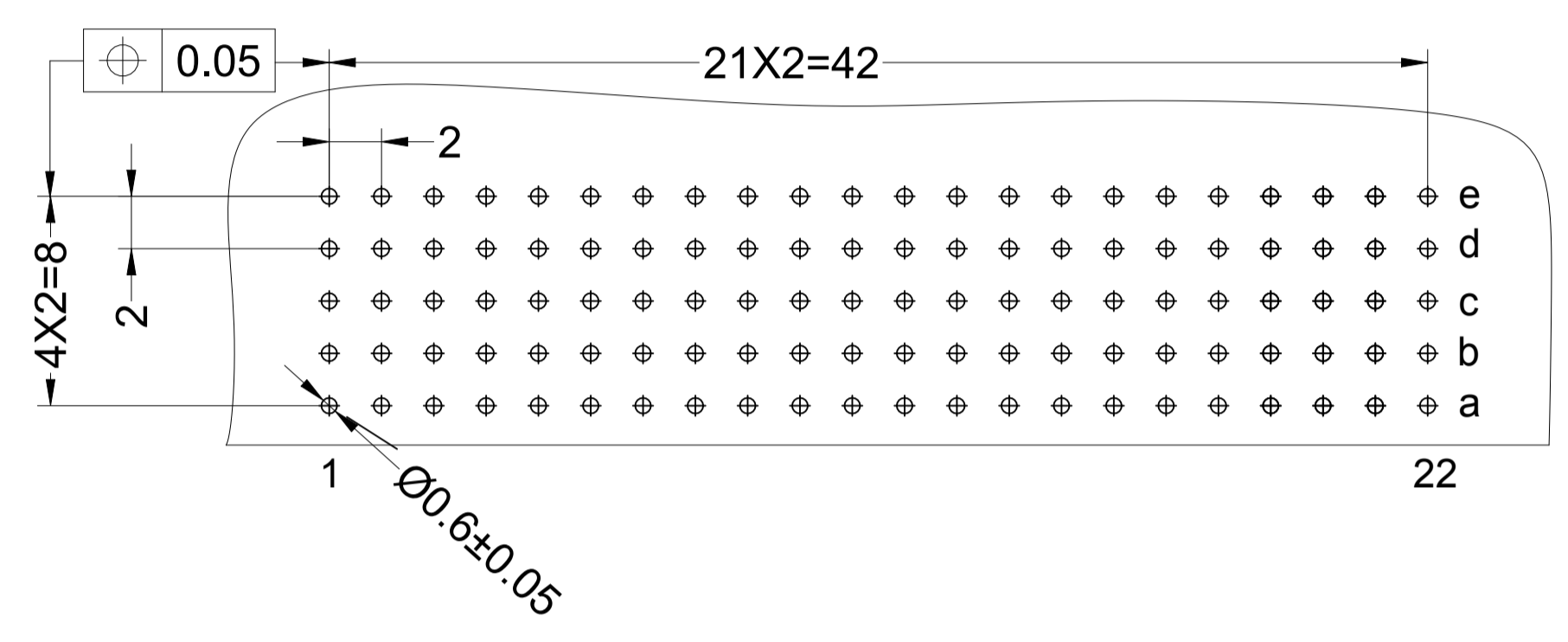
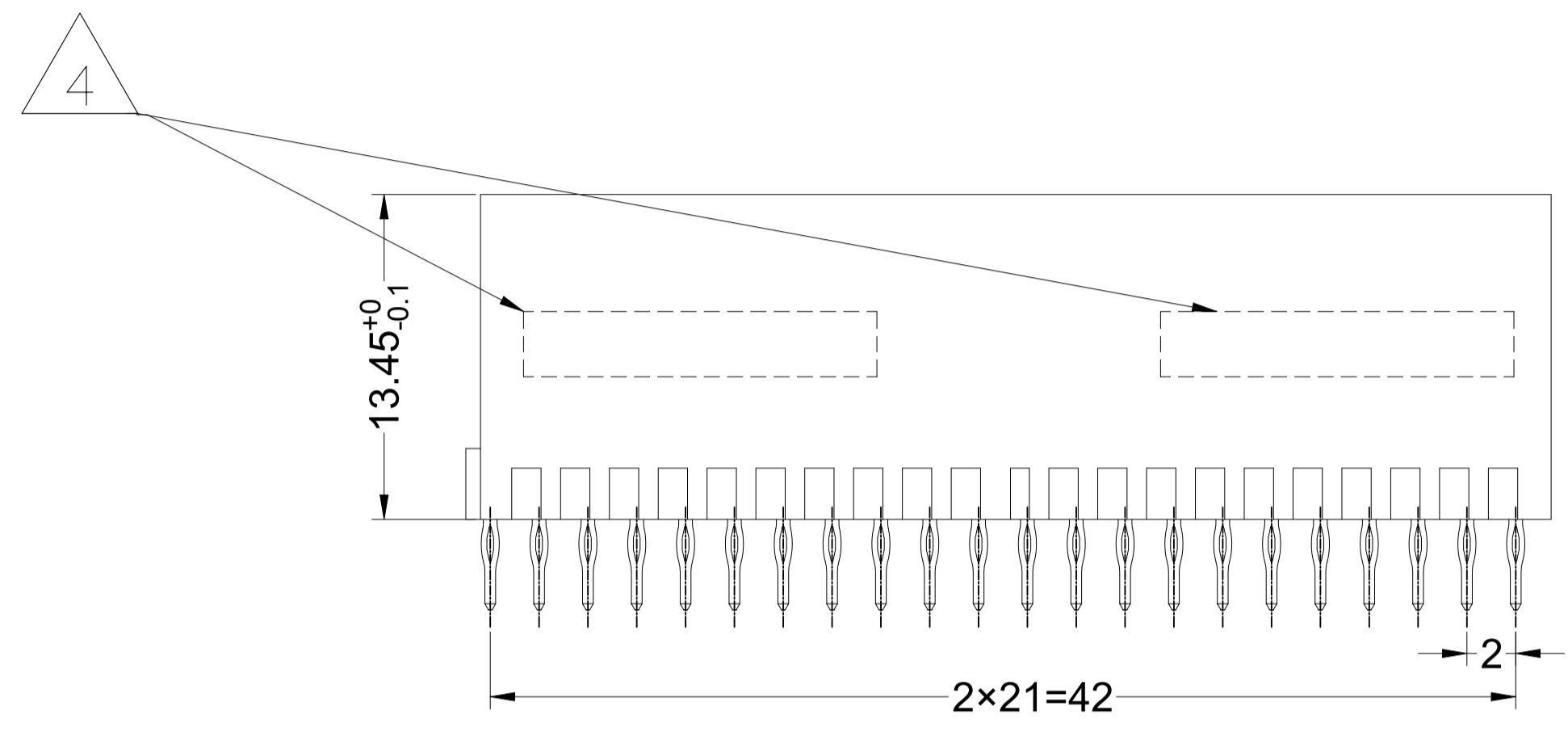
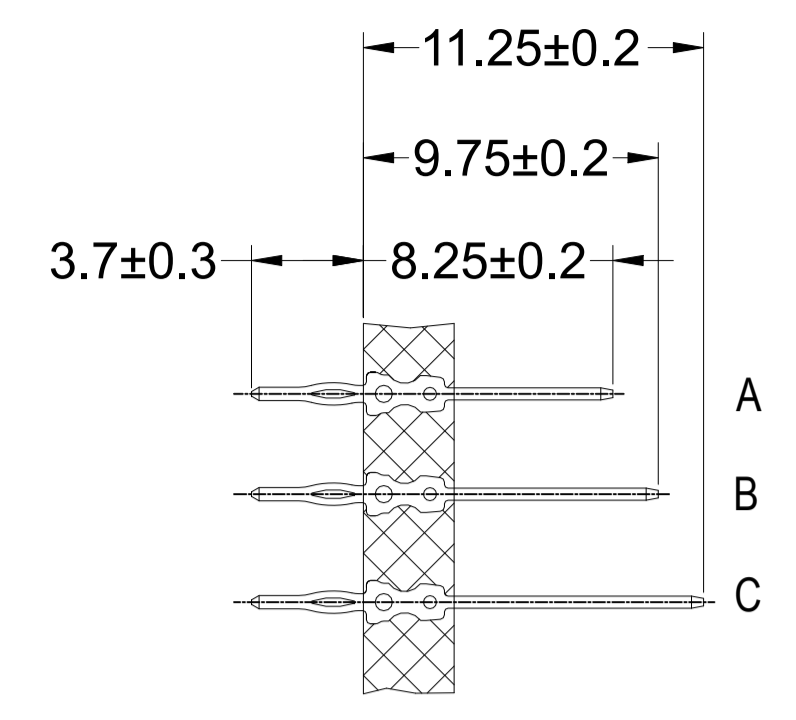
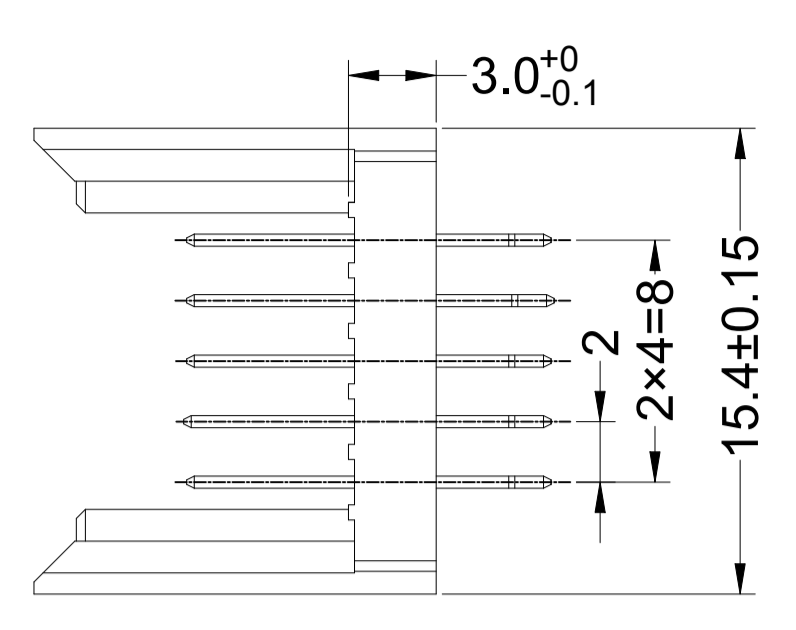
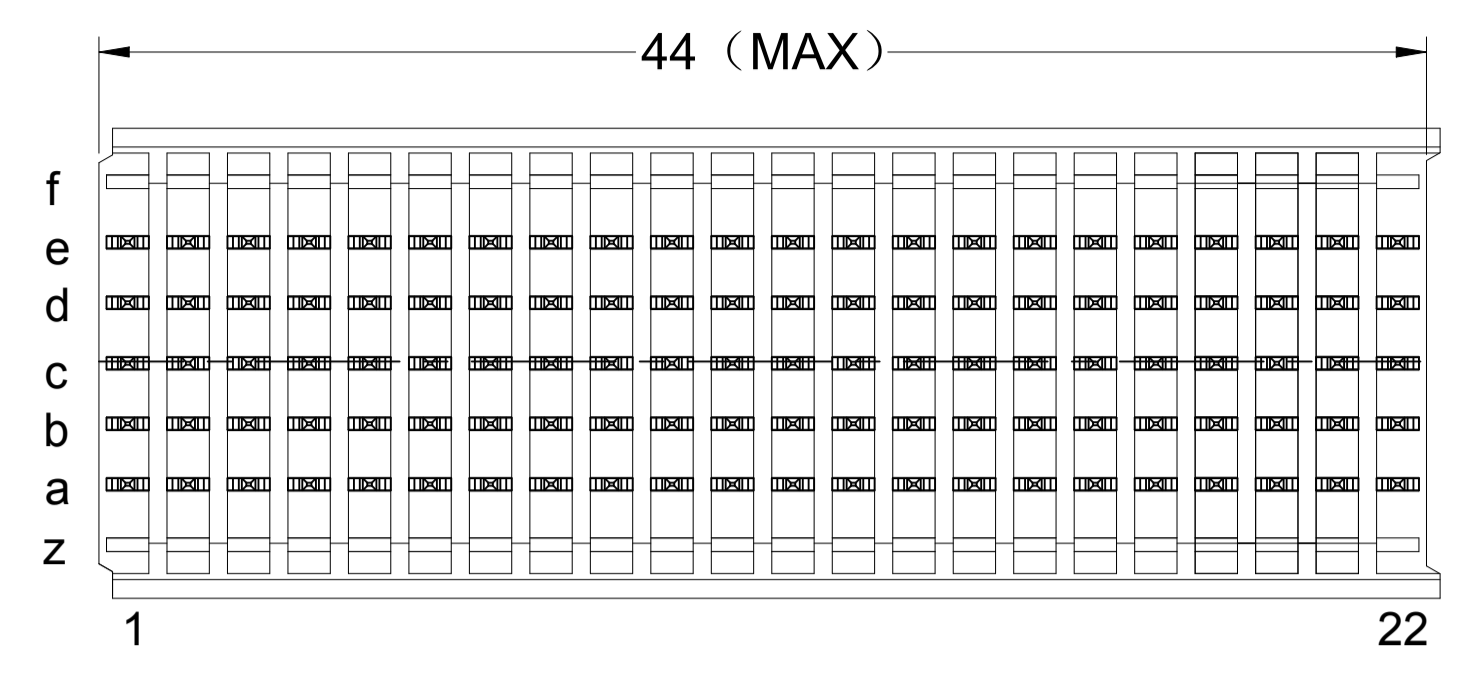
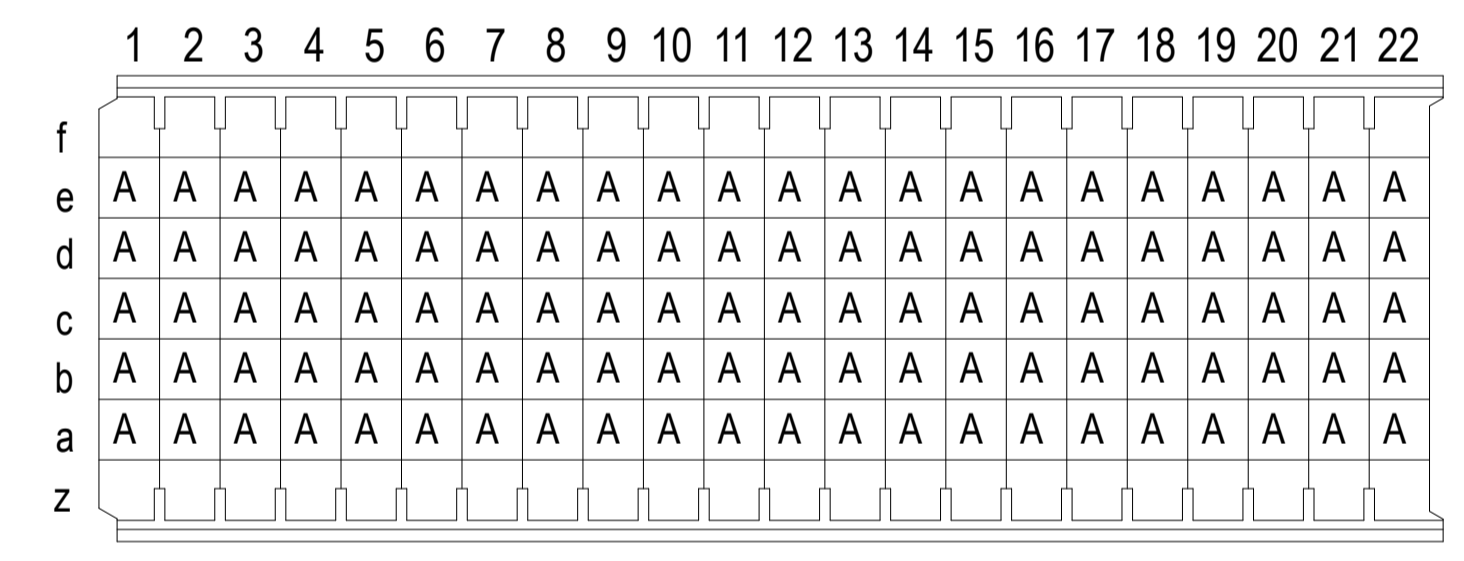


REVISIONS				
REV	DESCRIPTION	DATE	BY	APP'D
A	INITIAL DRAWING	18OCT2021	TL	HL



RECOMMEND PCB-HOLE LAYOUT
 COMPONENT SIDE SHOWN
 TOLERANCE ±0.05



- 1 MATERIAL:
 CONTACT: COPPER ALLOY.
 HOUSING: GLASS-FILLED POLYESTER.
- 2 GENERAL PLATING SPECIFICATION: UNDERPLATING
 (ENTIRE CONTACT): 1.27µm MIN NICKEL AND ACTION
 PIN: 0.5µm MIN TIN.
 FOR PLATING OF MATING SURFACES SEE APPLICABLE
 SPECIFICATION REFERENCE FOR EACH DASH NUMBER.
- 3 CONFORMS TO ALL TESTING ACCORDING TO IEC 61076-4-101
 PERFORMANCE LEVEL 2.
- 4 CONNECTOR MARKED WITH PART NUMBER AND DATE CODE.

2/3	2391878-1
FINISH	PART NUMBER

THIS DRAWING IS A CONTROLLED DOCUMENT.		DIN TONY LI 27MAY2021		NAME MALE ASSEMBLY, Z-PACK 2mm HM, 110P TYPE B EON	
DIMENSIONS: mm		CHK ALEX XU 27MAY2021		SIZE A1	
TOLERANCES UNLESS OTHERWISE SPECIFIED:		APVD HOPE LU 27MAY2021		SCALE 4:1	
0-PLC ±		PRODUCT SPEC 108-19082		SHEET 1 of 1	
1-PLC ±0.2		APPLICATION SPEC 114-160149		REV A	
2-PLC ±		WEIGHT 0		CUSTOMER DRAWING	
3-PLC ±		DRAWING NO. 00779		SCALE 4:1	
4-PLC ±		DRAWING NO. C=2391878		SHEET 1 of 1	
ANGLES ±		DRAWING NO. 00779		REV A	