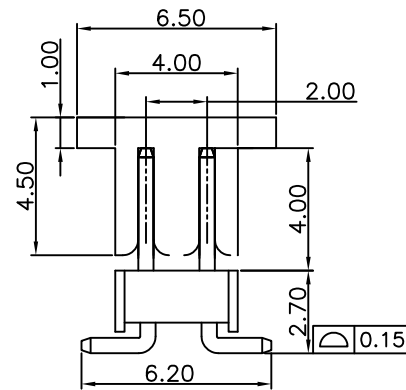
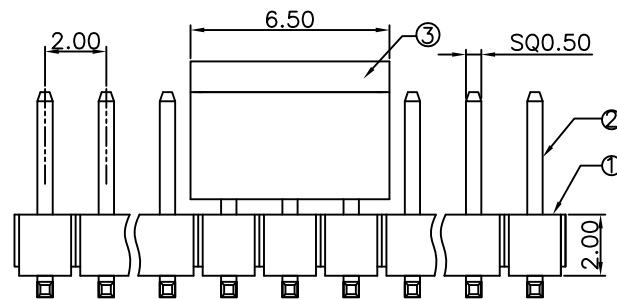
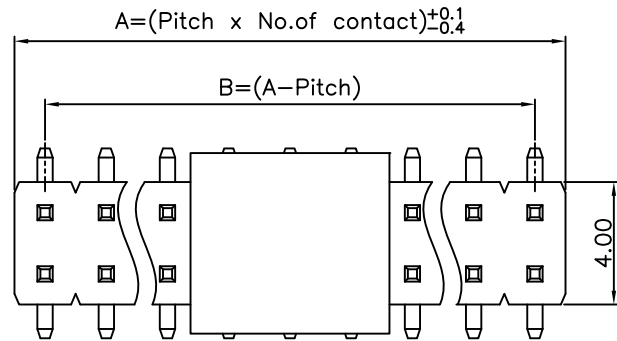
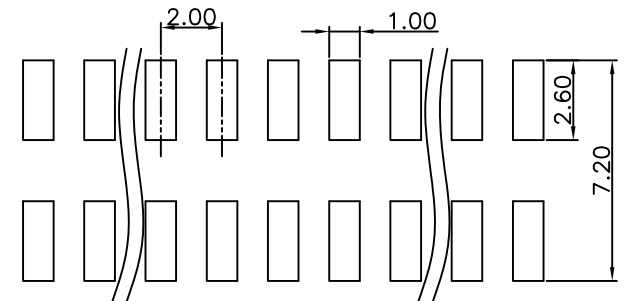


REV.	DESCRIPTION	DATE
A	New Drawing	2021/02/24

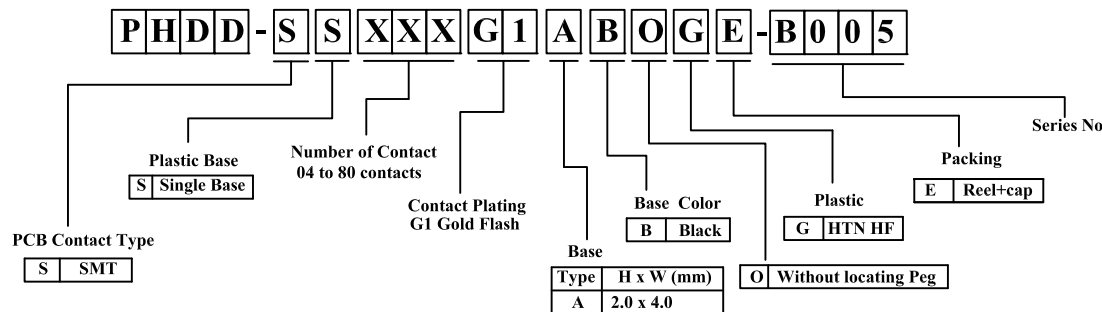


LTR	Part Name	Material	Description	QTY
1	Housing	HTN HF UL94V-0	260°C for 10 Seconds . Initial : 1000M Ohms Min. After Test : 500M Ohms Min.	1
2	Contact	Brass	Current Rating : 2.0A Initial : 20m Ohms Max. After Test : 40m Ohms Max.	XX
3	CAP	HTN HF UL94V-0	260°C for 10 Seconds .	1

Temperature Rating : -40°C ~ +125°C .
Dielectric Withstanding Voltage : 500V AC/Min



P.C.B LAYOUT



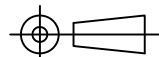
L=8.25mm

RoHS compliant

Superior Tech Co., Ltd.

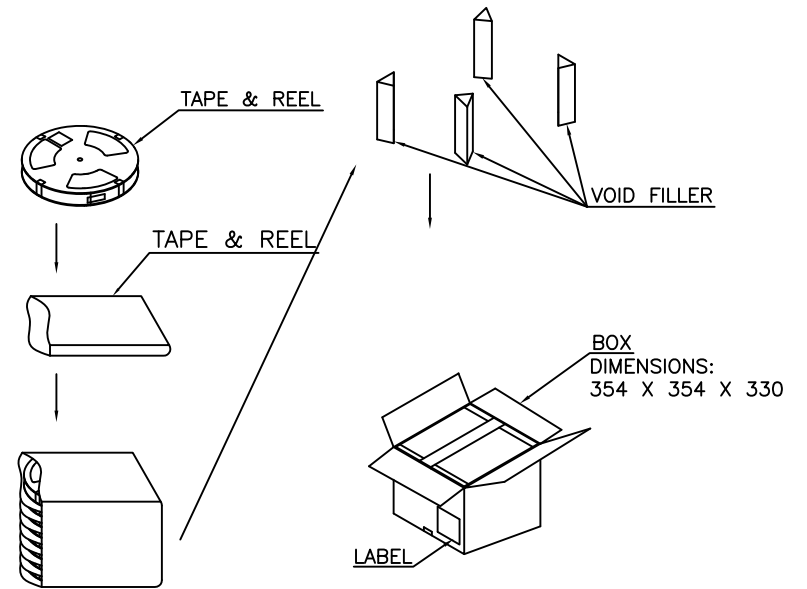
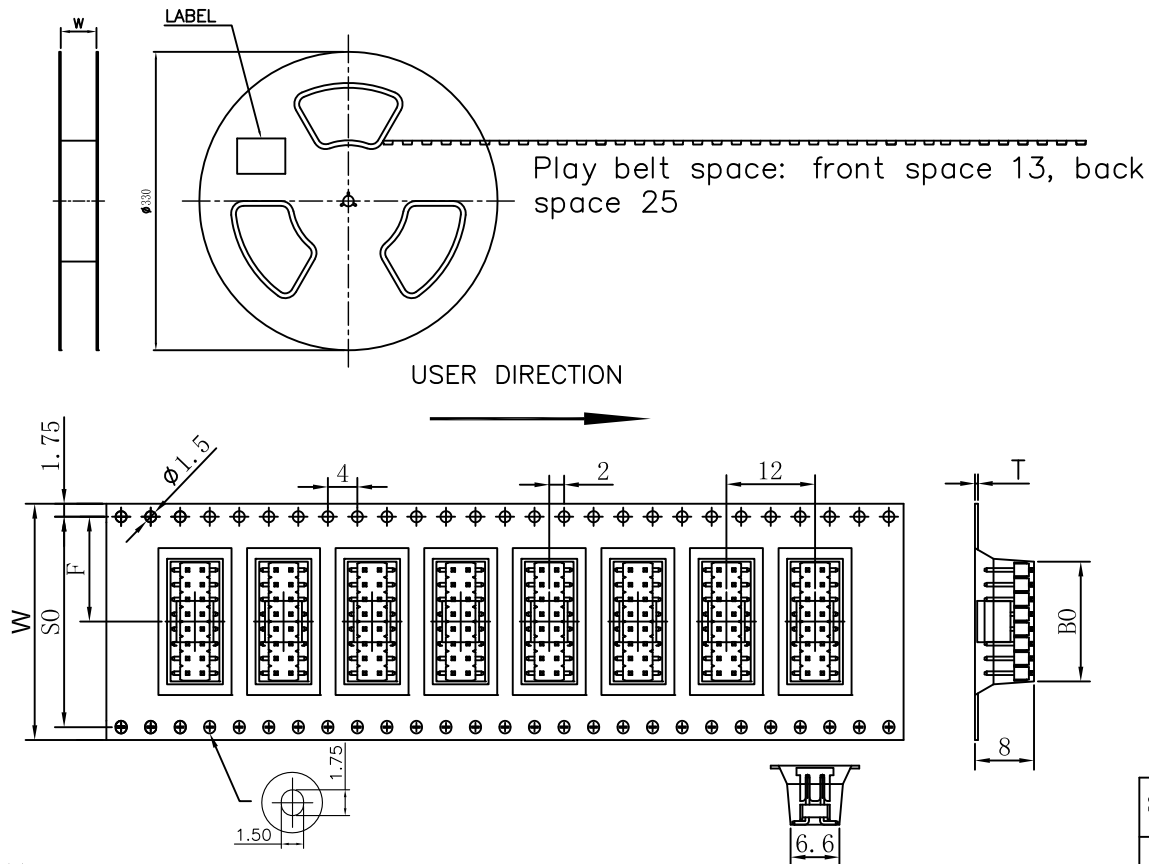
General Tolerance		TITLE	2.0 x 2.0mm Pin Header ,SMT Dual Row	
X.	± 0.5	DRAWN Tom	DATE	NO.
.X	± 0.3		02-23-21"	002
.XX	± 0.2	CHECK	DATE	PART NO.
.XXX	± 0.1	APPROVED	DATE	PHDD-SSXXXG1ABOGE-B005
Angle	± 5°			CUSTOMER NO.

REV.	UNIT	SCALE
A	mm	1:1



(Q2-R03-01A) ST-R05-07

REV.	DESCRIPTION	DATE
A	New Drawing	2022/05/26



- (1) 10 sprocket hole pitch cumulative tolerance ± 0.20 .
- (2) Carrier camber is within 1 mm in 250mm.
- (3) All dimensions meet EIA-481-C requirements.
- (4) Material: Transparent PS Thickness: 0.40 ± 0.05 (JG-TR-400)
- (5) Reel: 13" * 4", Carrier Length: 8.352 M/R.
- (6) Package quantity: 650. PCS.
- (7) Not Dimension angle is 3° .

Specifications	W	B0	F	S0	T	Quantity per volume	Quantity per box
2*2Pin	24.00 ± 0.30	4.2 ± 0.18	11.5 ± 0.18		0.40 ± 0.05	650Pcs / 1 volume	6500 Pcs / box
2*3Pin		6.2 ± 0.18					
2*4Pin		8.2 ± 0.18					
2*5Pin		10.2 ± 0.18					
2*6Pin	32.00 ± 0.30	12.2 ± 0.18		28.40 ± 0.05			5200 Pcs / box
2*7Pin		14.2 ± 0.18					
2*8Pin		16.2 ± 0.18					

Superior Tech Co., Ltd.

General Tolerance		TITLE		PHDD-SSXXXG1ABONE-B005_Packing	
X. ± 0.5		DRAWN		DATE	
.X ± 0.3		Tom		2022/05/26	
.XX ± 0.2		CHECK		DATE	
.XXX ± 0.1		APPROVED		DATE	
Angle $\pm 5^\circ$				PART NO.	
				PHDD-SSXXXG1ABONE-B005	
				CUSTOMER NO.	
				DK	

REV.	UNIT	SCALE	
A	mm	1:1	