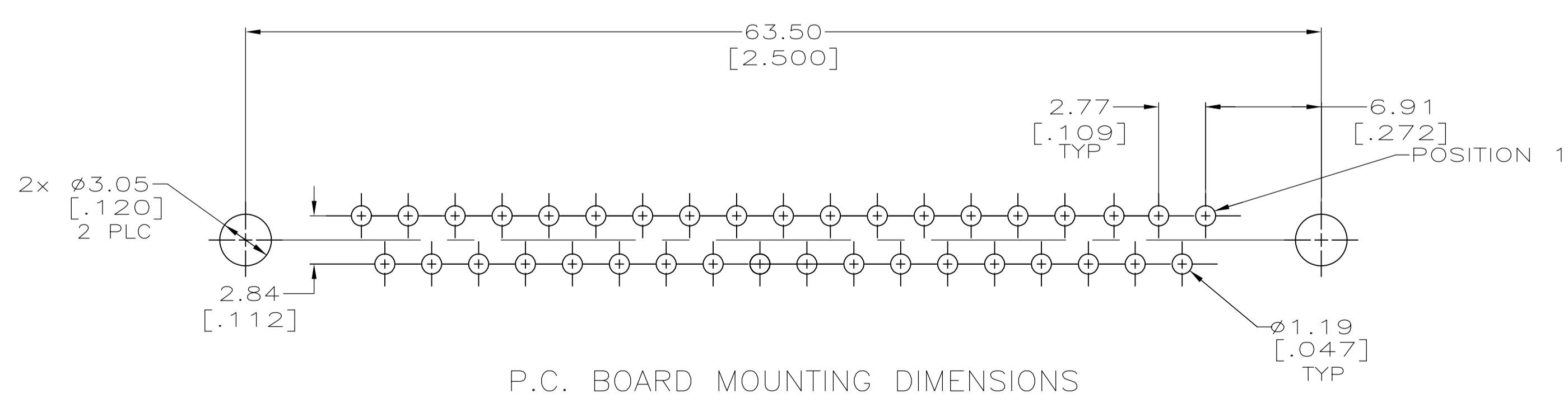
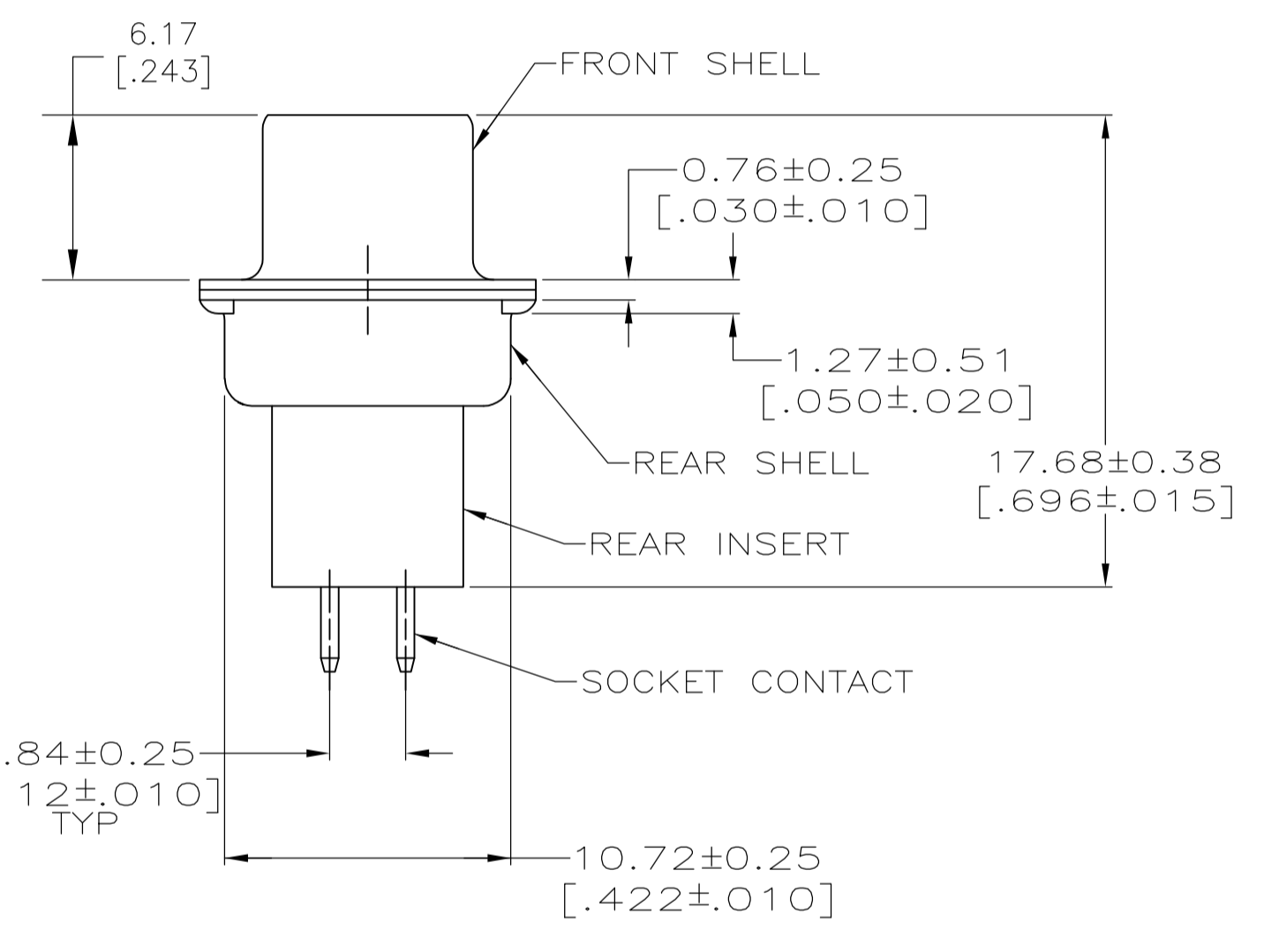
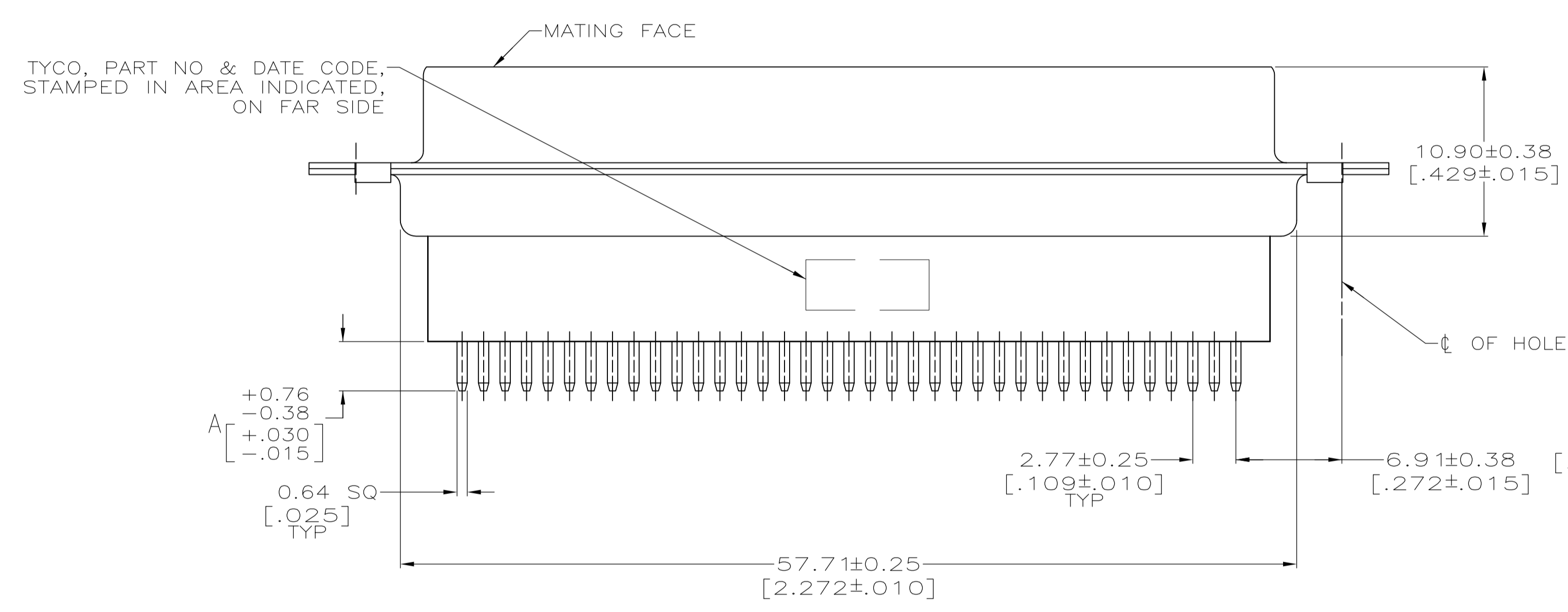
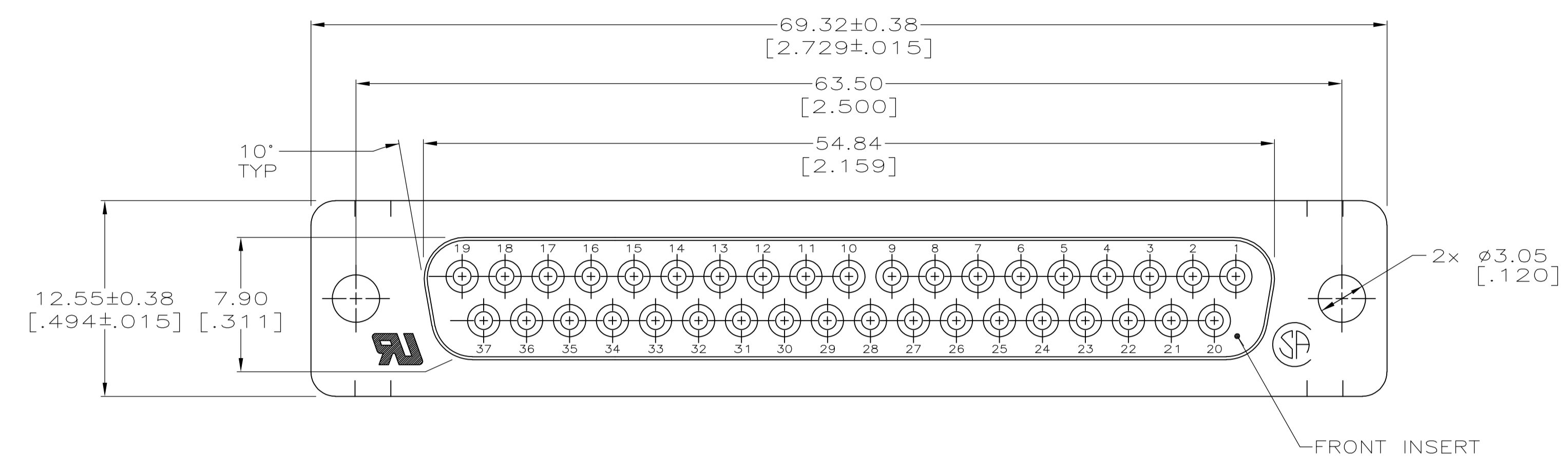


⚠ INSERTS: FLAME RETARDANT 94V-0 RATED THERMOPLASTIC; BLACK.
 SHELLS: CARBON STEEL.
 CONTACTS: PHOS BRONZE.

⚠ SHELLS: 5.08μm[.000200] MIN TIN OVER 2.54μm[.000100] MIN COPPER.
 CONTACTS: 0.76μm [.000030] MIN GOLD ON MATING SOLDER END, 2.54μm [.000100] MIN TIN ON SOLDER END, 1.27μm[.000050] MIN NICKEL
 -OR-
 GOLD FLASH OVER PALLADIUM-NICKEL 0.76μm [.000030] MIN TOTAL ON MATING END, 2.54μm [.000100] MIN TIN ON SOLDER END, 1.27μm [.000050] MIN NICKEL.



4.78 [.188]	5745189-7
3.18 [.125]	5745189-1
DIM A	PART NUMBER

THIS DRAWING IS A CONTROLLED DOCUMENT.

DIMENSIONS: INCHES	TOLERANCES UNLESS OTHERWISE SPECIFIED:	DIN B. LATTUCA 14SEPT05	14SEPT05	Tyco Electronics Corporation Harrisburg, PA 17105-3608
0 PLC ± -	1 PLC ± -	CHK S. BOLASH 14SEPT05	14SEPT05	
1 PLC ± -	2 PLC ± 0.13 [.005]	APP'D M. WALMSLEY 14SEPT05	14SEPT05	Tyco Electronics RECEPTACLE ASSY, SIZE 4, 37 POS, VERTICAL, AMPLIMITE HDP
2 PLC ± -	3 PLC ± -	NAME	PRODUCT SPEC	
3 PLC ± -	4 PLC ± -	APPLICATION SPEC	108-40025	SIZE
4 PLC ± -	ANGLES ± °	114-40013	114-40013	CAGE CODE
MATERIAL	FINISH	WEIGHT	100779	DRAWING NO
1	2	—	5745189	RESTRICTED TO
CUSTOMER DRAWING		SCALE	NTS	SHEET 1 OF 1