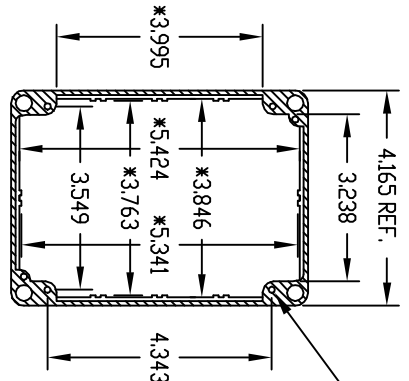


PART NAME

NEMA 4 ENCLOSURE

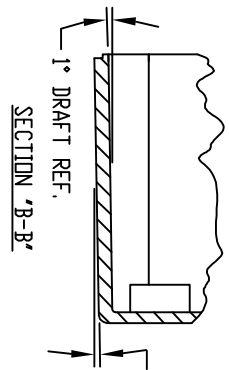
PART No.

AN-1305 & AN-1305-G

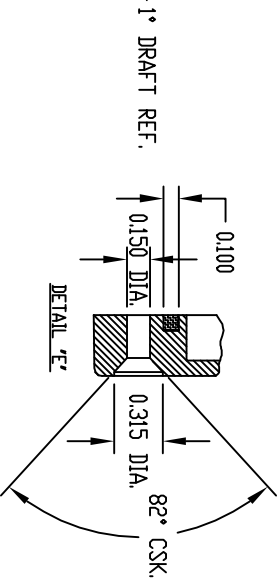


SECTION 'C-C'
 * DIMENSIONS ARE AT
 BOTTOM OF ENCLOSURE

0.125 DIA. x 0.250 DEEP
 (4) HOLES
 ACCEPTS EITHER M3.5 METRIC
 OR #6 STD. SHEET METAL
 SCREWS x 0.250" LG.
 (NOT SUPPLIED)

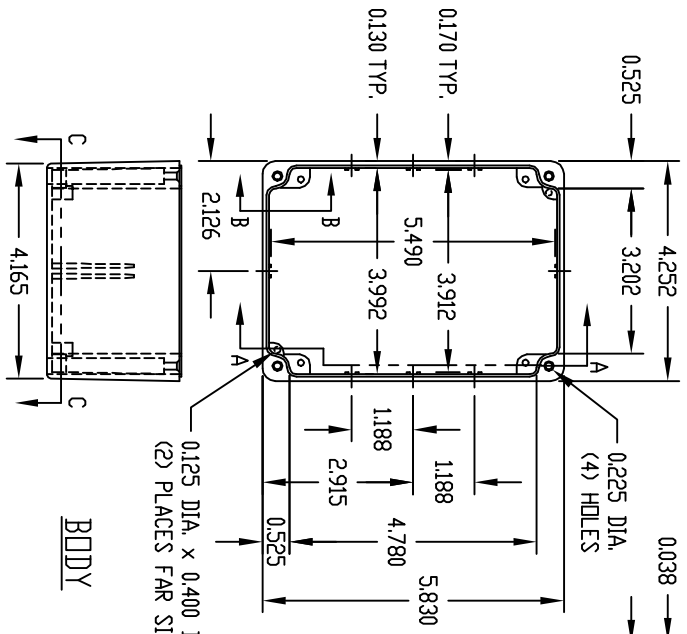


SECTION 'B-B'



DETAIL 'E'

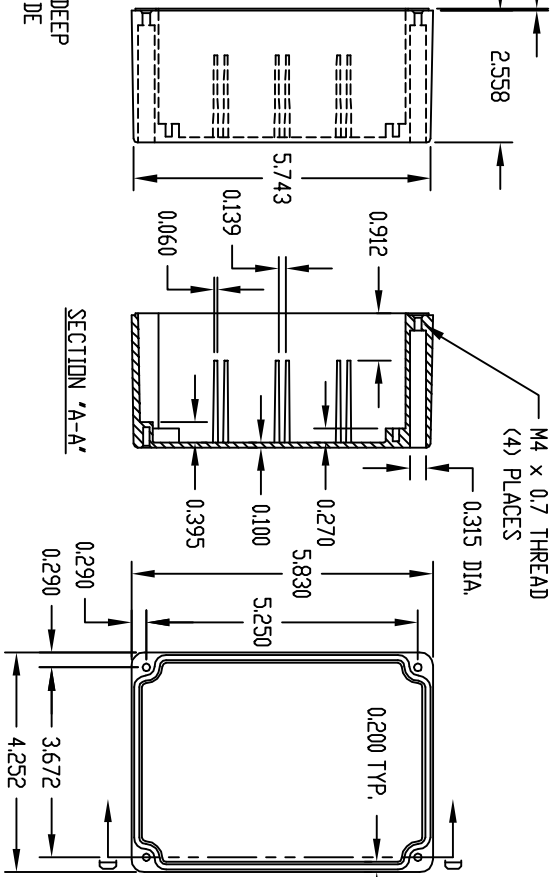
MATERIAL: ALUMINUM ALLOY #A380
 FINISH: NATURAL (NO SUFFIX)
 GRAY (SUFFIX -G)
 FOUR (4) M4 x 20mm (0.787") LG. SCREWS
 SUPPLIED FOR ASSEMBLY.
 TWO (2) M3.5 x 6mm LG. NICKEL PLATED
 SCREWS AND WASHERS SUPPLIED FOR
 GROUNDING
 ALL DIMENSIONS HAVE ±0.015 TOLERANCE
 UNLESS OTHERWISE SPECIFIED



SECTION 'A-A'

0.125 DIA. x 0.400 DEEP
 (2) PLACES FAR SIDE

BODY



SECTION 'D-D'

NEDPRENE
 GASKET
 (WHITE)

COVER