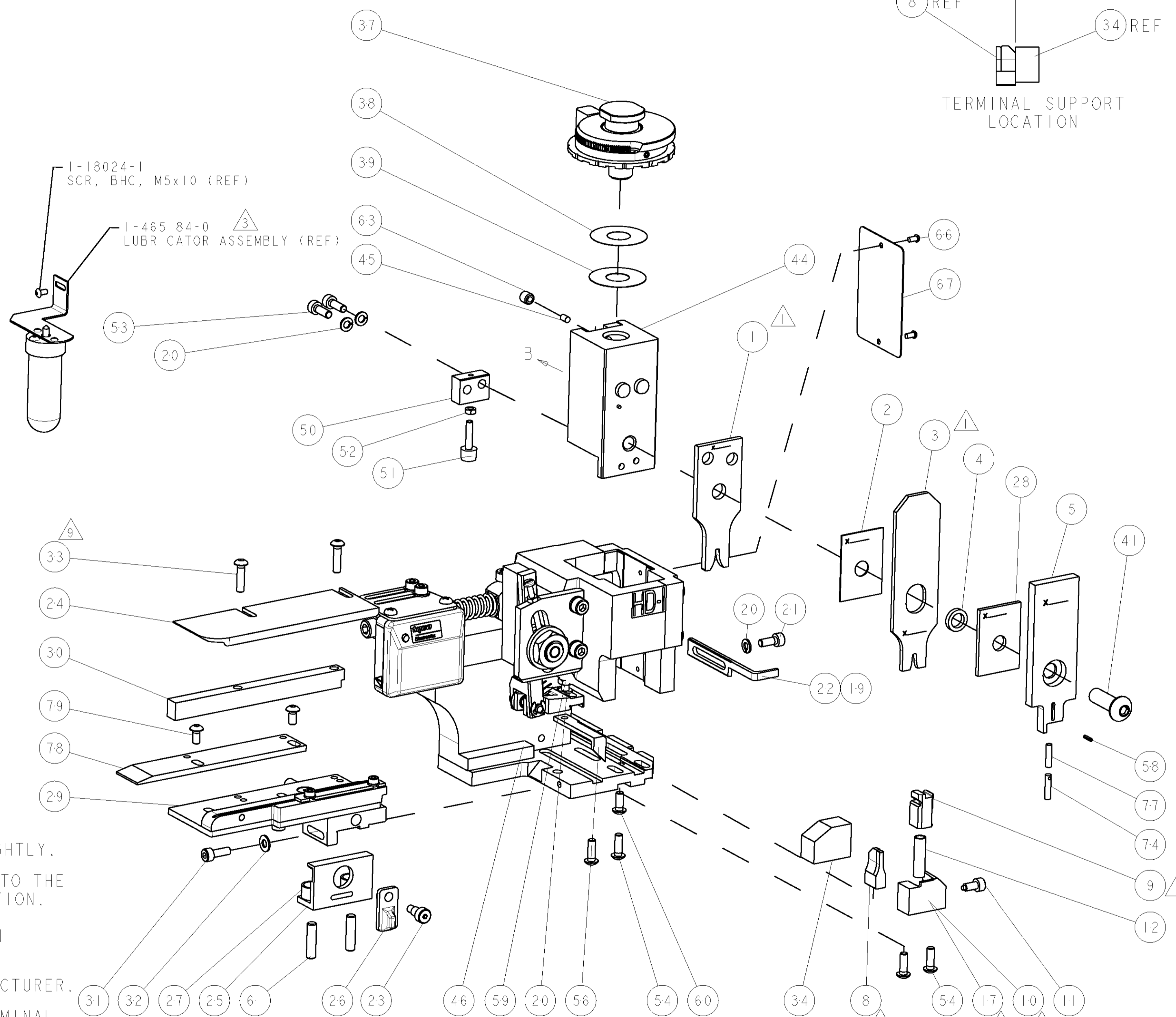


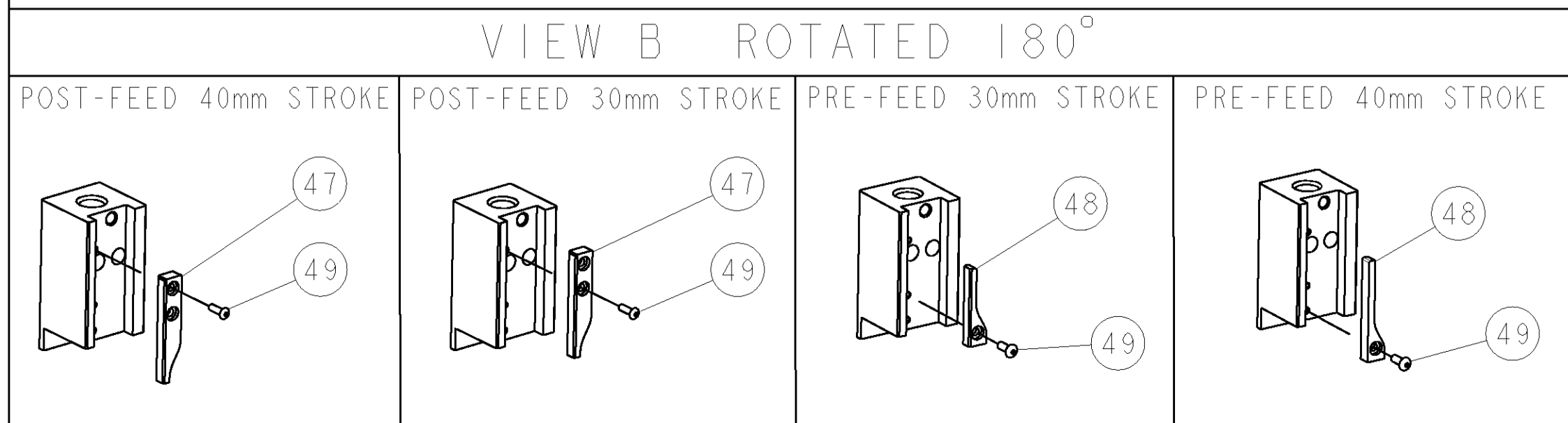
PART NUMBER	REV	TERMINATOR	FEED TYPE	DESCRIPTION
1528841-1	A	LEADMAKER	MECH POST FEED	CUTS CARRIER
1528841-2	A	BENCH	MECH PRE FEED	CUTS CARRIER
1528841-6	A	LEADMAKER	MECH POST FEED	CONTINUOUS CARRIER
7-1528841-1	A	LEADMAKER	MECH POST FEED	-1 AND SPARE PARTS
7-1528841-2	A	BENCH	MECH PRE FEED	-2 AND SPARE PARTS
7-1528841-6	A	LEADMAKER	MECH POST FEED	-6 AND SPARE PARTS
7-1528841-7	A	-	-	SPARE PARTS KIT

CRIMP DATA		FCI TERMINAL	FCI CRIMP SPECS
TERMINAL NAME: SICMA 3 1.5 X 0.8 MALE TERMINAL			
CRIMP	SIZE	TYPE	RANGE
WIRE	2.24 [1.088 IN]	F	1.00-2.00mm ²
INSUL	2.49 [1.098 IN]	OV	1.65-2.60 [1.067-.102 IN]
WIRE STRIP LENGTH 4.10-4.90 [1.161-.193 IN]		APPL INSTRUCTIONS 408-8322 & 408-8490	
TERMINAL FCI DRGS. APPL SPEC PC211CL2SX160 & 211FT0300		FEED 10.50 [4.13 IN]	
TERMINALS APPLIED		TE TERM PN	MANUF TERM PN
		1949170-1	211 CL 2 S 2160
WIRE SIZE	CRIMP HEIGHT	REF SETTING	
2.00mm ²	1.59 ± 0.04 [1.063 ± .0016 IN]	C 4	
1.50mm ²	1.54 ± 0.04 [1.061 ± .0016 IN]	C 7	
1.00mm ²	1.44 ± 0.04 [1.057 ± .0016 IN]	D 5	



*** WARNING**
ON INSTALLATION, SET WIRE DISC TO LARGEST WIRE SIZE SETTING. USE OF SETTINGS BELOW MIN. REQUIRED CRIMP HEIGHT SETTING WILL CAUSE DAMAGE TO CRIMP TOOLING.

- RECOMMENDED SPARE PARTS.
- GREASE RAM, CAM, CAM FOLLOWER AND FEED ROD LIGHTLY.
- CERTAIN TERMINALS REQUIRE LUBRICATION. REFER TO THE APPLICATOR INSTRUCTION SHEET FOR MORE INFORMATION.
- LUBRICATE DAILY PER THE APPLICATOR INSTRUCTION SHEET SUPPLIED WITH THE APPLICATOR.
- ALL CRIMP DATA SUPPLIED BY THE TERMINAL MANUFACTURER.
- WIRE AND INSULATION RANGES ARE THAT OF THE TERMINAL
- SEE APPLICATION SPECIFICATION DRGS. FOR RELEVANT WIRE SIZE DETAILS.
- INSULATION CRIMP HEIGHTS NOT RECOMMENDED BY TYCO ELECTRONICS UK LTD.
- CUT TO LENGTH AT ASSEMBLY.



QTY	PART NO	DESCRIPTION	ITEM NO
-	-	-	84
-	-	-	83
-	-	-	82
-	-	-	81
-	-	-	80
2	18024-6	SCR, BTN SKT HD CAP (M4 X 8.0)	79
1	525891-1	EXTENSION PLATE STRIP GUIDE ASSEMBLY	78
1	1-22278-0	SPRING, COMPRESSION	77
-	-	-	76
-	-	-	75
1	854769-1	HOLDER, INS	74
QTY	PART NO	DESCRIPTION	ITEM NO
-	-	-	73
-	-	-	72
1	1338705-3	DOCUMENTATION PACKAGE	71
-	-	-	70
-	-	-	69
-	-	-	68
1	461264-5	PLATE, IDENTIFICATION	67
2	21017-2	SCREW, DRIVE	66
-	-	-	65
-	-	-	64
1	3-18031-0	SCR, SET, CUP POINT M6 X 6.0	63
-	-	-	62
2	2-18032-5	SCR, SET, FLT POINT M5 X 20.0	61
1	18024-7	SCR, BTN SKT HD CAP (M4 X 10.0)	60
1	5-18022-2	SCR, HEX HD CAP M4 X 8.0	59
1	21028-2	PIN, SLOTTED SPRING .062 X .250	58
-	-	-	57
1	1338685-1	PAWL, FEED	56
-	-	-	55
4	18024-8	SCR, BTN SKT HD CAP (M4 X 12.0)	54
2	1-18023-2	SCR, SKT HD CAP M4 X 12.0	53
1	18030-1	NUT, HEX, REG M3	52
1	811242-5	BUMPER, HOLD DOWN	51
1	690753-2	SPACER, TONKER	50
1	18024-3	SCR, BTN SKT HD CAP (M3 X 10.0)	49
1	1338675-1	CAM, UNIVERSAL PRE FEED	48
1	1338676-1	CAM, UNIVERSAL POST-FEED	47
1	1320999-3	APPLICATOR SUBASSEMBLY, HDI	46
1	690191-1	PLUG, NYLON	45
1	1338660-1	RAM	44
-	-	-	43
-	-	-	42
1	2-18024-6	SCR, BTN SKT HD CAP (M8 X 25.0)	41
-	-	-	40
1	690125-1	SHIM SUB-ASSY	39
1	469367-2	SHIM	38
1	879103-2	FINE ADJUST HEAD ASSEMBLY	37
-	-	-	36
-	-	-	35
1	1320934-6	SUPPORT, TERMINAL	34
2	18024-9	SCR, BTN SKT HD CAP (M4 X 16.0)	33
1	18027-2	WASHER, FLAT, REG M4	32
1	1-18023-2	SCR, SKT HD CAP M4 X 12.0	31
1	1-1320908-6	SPACER, STRIP GUIDE	30
1	1633073-2	STRIP GUIDE ASSEMBLY	29
1	2-455888-0	SPACER, CRIMPER	28
2	1-22284-0	SPRING, COMPRESSION	27
1	356835-1	LEVER, DRAG RELEASE	26
1	240792-1	DRAG, TERMINAL	25
1	1320928-5	PLATE, STRIP GUIDE	24
1	980371-4	SCR, SKT HD SHLDR 5.0 DIA X 6.0	23
1	690472-2	STRIPPER	22
1	1-18023-1	SCR, SKT HD CAP M4 X 10.0	21
4	18025-2	WASHER, SPRG LOCK, REG M4	20
-	-	-	19
1	690472-1	STRIPPER	18
-	-	-	17
1	1338684-1	SHEAR HOLDER, FRONT	16
-	-	-	15
-	-	-	14
-	-	-	13
1	3-22280-3	SPRING, COMPRESSION	12
1	356885-4	STOP, SHEAR	11
-	-	-	10
1	1320921-1	SHEAR HOLDER, FRONT, CUT	9
1	1-454276-9	FLOATING SHEAR, FRONT	8
1	7-1633138-1	ANVIL, COMBINATION	7
-	-	-	6
-	-	-	5
1	854772-1	DEPRESSOR, SHEAR	4
1	238011-4	BLOCK, CRIMPER SPACER	3
1	9-854830-8	CRIMPER, INSULATION SPECIAL	2
1	455888-5	SPACER, CRIMPER	1
1	4-1673600-0	CRIMPER, WIRE	1

SET UP GAGE 458637-3										REV	DATE	BY	CHKD								
<table border="1"> <thead> <tr> <th>REV</th> <th>DATE</th> <th>BY</th> <th>CHKD</th> </tr> </thead> <tbody> <tr> <td>A</td> <td>29NOV2007</td> <td>LJL</td> <td>MC</td> </tr> </tbody> </table>										REV	DATE	BY	CHKD	A	29NOV2007	LJL	MC				
REV	DATE	BY	CHKD																		
A	29NOV2007	LJL	MC																		
<table border="1"> <thead> <tr> <th>REV</th> <th>DATE</th> <th>BY</th> <th>CHKD</th> </tr> </thead> <tbody> <tr> <td>A</td> <td>29NOV2007</td> <td>LJL</td> <td>MC</td> </tr> </tbody> </table>										REV	DATE	BY	CHKD	A	29NOV2007	LJL	MC				
REV	DATE	BY	CHKD																		
A	29NOV2007	LJL	MC																		
<table border="1"> <thead> <tr> <th>REV</th> <th>DATE</th> <th>BY</th> <th>CHKD</th> </tr> </thead> <tbody> <tr> <td>A</td> <td>29NOV2007</td> <td>LJL</td> <td>MC</td> </tr> </tbody> </table>										REV	DATE	BY	CHKD	A	29NOV2007	LJL	MC				
REV	DATE	BY	CHKD																		
A	29NOV2007	LJL	MC																		

LOC: A DIST: 66

REVISIONS

REV	DATE	BY	CHKD
A	29NOV2007	LJL	MC

DESCRIPTION: SEE ECO-07-028354

DATE: 29NOV2007

BY: LJL

CHKD: MC

ITEM NO: 73

DESCRIPTION: DOCUMENTATION PACKAGE

ITEM NO: 72

DESCRIPTION: PLATE, IDENTIFICATION

ITEM NO: 67

DESCRIPTION: SCREW, DRIVE

ITEM NO: 66

DESCRIPTION: SCR, SET, CUP POINT M6 X 6.0

ITEM NO: 63

DESCRIPTION: SCR, SET, FLT POINT M5 X 20.0

ITEM NO: 61

DESCRIPTION: SCR, BTN SKT HD CAP (M4 X 10.0)

ITEM NO: 60

DESCRIPTION: SCR, HEX HD CAP M4 X 8.0

ITEM NO: 59

DESCRIPTION: PIN, SLOTTED SPRING .062 X .250

ITEM NO: 58

DESCRIPTION: PAWL, FEED

ITEM NO: 56

DESCRIPTION: SCR, BTN SKT HD CAP (M4 X 12.0)

ITEM NO: 54

DESCRIPTION: SCR, SKT HD CAP M4 X 12.0

ITEM NO: 53

DESCRIPTION: NUT, HEX, REG M3

ITEM NO: 52

DESCRIPTION: BUMPER, HOLD DOWN

ITEM NO: 51

DESCRIPTION: SPACER, TONKER

ITEM NO: 50

DESCRIPTION: SCR, BTN SKT HD CAP (M3 X 10.0)

ITEM NO: 49

DESCRIPTION: CAM, UNIVERSAL PRE FEED

ITEM NO: 48

DESCRIPTION: CAM, UNIVERSAL POST-FEED

ITEM NO: 47

DESCRIPTION: APPLICATOR SUBASSEMBLY, HDI

ITEM NO: 46

DESCRIPTION: PLUG, NYLON

ITEM NO: 45

DESCRIPTION: RAM

ITEM NO: 44

DESCRIPTION: SCR, BTN SKT HD CAP (M8 X 25.0)

ITEM NO: 41

DESCRIPTION: SHIM SUB-ASSY

ITEM NO: 39

DESCRIPTION: SHIM

ITEM NO: 38

DESCRIPTION: FINE ADJUST HEAD ASSEMBLY

ITEM NO: 37

DESCRIPTION: SUPPORT, TERMINAL

ITEM NO: 34

DESCRIPTION: SCR, BTN SKT HD CAP (M4 X 16.0)

ITEM NO: 33

DESCRIPTION: WASHER, FLAT, REG M4

ITEM NO: 32

DESCRIPTION: SCR, SKT HD CAP M4 X 12.0

ITEM NO: 31

DESCRIPTION: SPACER, STRIP GUIDE

ITEM NO: 30

DESCRIPTION: STRIP GUIDE ASSEMBLY

ITEM NO: 29

DESCRIPTION: SPACER, CRIMPER

ITEM NO: 28

DESCRIPTION: SPRING, COMPRESSION

ITEM NO: 27

DESCRIPTION: LEVER, DRAG RELEASE

ITEM NO: 26

DESCRIPTION: DRAG, TERMINAL

ITEM NO: 25

DESCRIPTION: PLATE, STRIP GUIDE

ITEM NO: 24

DESCRIPTION: SCR, SKT HD SHLDR 5.0 DIA X 6.0

ITEM NO: 23

DESCRIPTION: STRIPPER

ITEM NO: 22

DESCRIPTION: SCR, SKT HD CAP M4 X 10.0

ITEM NO: 21

DESCRIPTION: WASHER, SPRG LOCK, REG M4

ITEM NO: 20

DESCRIPTION: STRIPPER

ITEM NO: 19

DESCRIPTION: SHEAR HOLDER, FRONT

ITEM NO: 17

DESCRIPTION: SPRING, COMPRESSION

ITEM NO: 12

DESCRIPTION: STOP, SHEAR

ITEM NO: 11

DESCRIPTION: SHEAR HOLDER, FRONT, CUT

ITEM NO: 10

DESCRIPTION: FLOATING SHEAR, FRONT

ITEM NO: 9

DESCRIPTION: ANVIL, COMBINATION

ITEM NO: 8

DESCRIPTION: DEPRESSOR, SHEAR

ITEM NO: 5

DESCRIPTION: BLOCK, CRIMPER SPACER

ITEM NO: 4

DESCRIPTION: CRIMPER, INSULATION SPECIAL

ITEM NO: 3

DESCRIPTION: SPACER, CRIMPER

ITEM NO: 2

DESCRIPTION: CRIMPER, WIRE

ITEM NO: 1