

## LM1596/LM1496 Balanced Modulator-Demodulator

### General Description

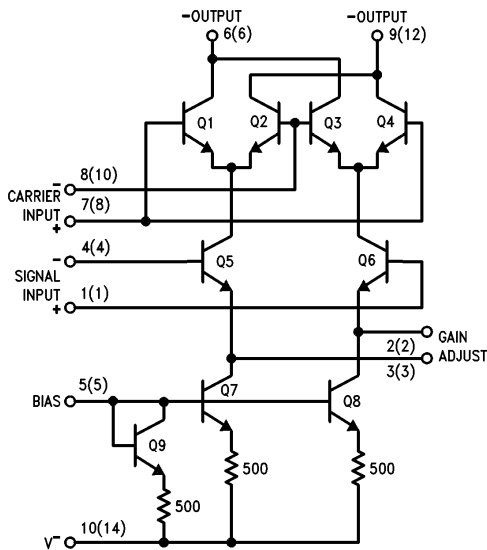
The LM1596/LM1496 are doubled balanced modulator-demodulators which produce an output voltage proportional to the product of an input (signal) voltage and a switching (carrier) signal. Typical applications include suppressed carrier modulation, amplitude modulation, synchronous detection, FM or PM detection, broadband frequency doubling and chopping.

The LM1596 is specified for operation over the  $-55^{\circ}\text{C}$  to  $+125^{\circ}\text{C}$  military temperature range. The LM1496 is specified for operation over the  $0^{\circ}\text{C}$  to  $+70^{\circ}\text{C}$  temperature range.

### Features

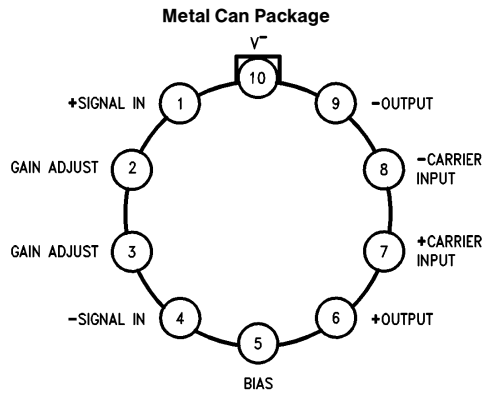
- Excellent carrier suppression  
65 dB typical at 0.5 MHz  
50 dB typical at 10 MHz
- Adjustable gain and signal handling
- Fully balanced inputs and outputs
- Low offset and drift
- Wide frequency response up to 100 MHz

### Schematic and Connection Diagrams



TL/H/7887-1

Numbers in parentheses show DIP connections.



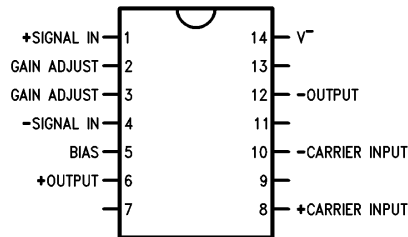
TL/H/7887-2

#### Top View

Note: Pin 10 is connected electrically to the case through the device substrate.

Order Number **LM1496H** or **LM1596H**  
See NS Package Number **H08C**

#### Dual-In-Line and Small Outline Packages



TL/H/7887-3

Order Number **LM1496M** or **LM1496N**  
See NS Package Number **M14A** or **N14A**

## Absolute Maximum Ratings

If Military/Aerospace specified devices are required, please contact the National Semiconductor Sales Office/Distributors for availability and specifications.

Internal Power Dissipation (Note 1)	500 mW
Applied Voltage (Note 2)	30V
Differential Input Signal ( $V_7 - V_8$ )	$\pm 5.0V$
Differential Input Signal ( $V_4 - V_1$ )	$\pm (5 + I_5 R_0)V$
Input Signal ( $V_2 - V_1, V_3 - V_4$ )	5.0V
Bias Current ( $I_5$ )	12 mA
Operating Temperature Range LM1596	$-55^\circ\text{C}$ to $+125^\circ\text{C}$
LM1496	$0^\circ\text{C}$ to $+70^\circ\text{C}$
Storage Temperature Range	$-65^\circ\text{C}$ to $+150^\circ\text{C}$

## Soldering Information

- Dual-In-Line Package
 

Soldering (10 seconds)	260°C
------------------------	-------
- Small Outline Package
 

Vapor Phase (60 seconds)	215°C
Infrared (15 seconds)	220°C

See AN-450 "Surface Mounting Methods and their effects on Product Reliability" for other methods of soldering surface mount devices.

## Electrical Characteristics ( $T_A = 25^\circ\text{C}$ , unless otherwise specified, see test circuit)

Parameter	Conditions	LM1596			LM1496			Units
		Min	Typ	Max	Min	Typ	Max	
Carrier Feedthrough	$V_C = 60$ mVrms sine wave $f_C = 1.0$ kHz, offset adjusted		40			40		$\mu\text{Vrms}$
	$V_C = 60$ mVrms sine wave $f_C = 10$ kHz, offset adjusted		140			140		$\mu\text{Vrms}$
	$V_C = 300$ mV <sub>pp</sub> square wave $f_C = 1.0$ kHz, offset adjusted		0.04	0.2		0.04	0.2	mVrms
	$V_C = 300$ mV <sub>pp</sub> square wave $f_C = 1.0$ kHz, not offset adjusted		20	100		20	150	mVrms
Carrier Suppression	$f_S = 10$ kHz, 300 mVrms	50	65		50	65		dB
	$f_C = 500$ kHz, 60 mVrms sine wave offset adjusted							
	$f_S = 10$ kHz, 300 mVrms $f_C = 10$ MHz, 60 mVrms sine wave offset adjusted		50			50		dB
Transadmittance Bandwidth	$R_L = 50\Omega$ Carrier Input Port, $V_C = 60$ mVrms sine wave		300			300		MHz
	$f_S = 1.0$ kHz, 300 mVrms sine wave Signal Input Port, $V_S = 300$ mVrms sine wave $V_7 - V_8 = 0.5\text{Vdc}$		80			80		MHz
Voltage Gain, Signal Channel	$V_S = 100$ mVrms, $f = 1.0$ kHz $V_7 - V_8 = 0.5$ Vdc	2.5	3.5		2.5	3.5		V/V
Input Resistance, Signal Port	$f = 5.0$ MHz $V_7 - V_8 = 0.5$ Vdc		200			200		k $\Omega$
Input Capacitance, Signal Port	$f = 5.0$ MHz $V_7 - V_8 = 0.5$ Vdc		2.0			2.0		pF
Single Ended Output Resistance	$f = 10$ MHz		40			40		k $\Omega$
Single Ended Output Capacitance	$f = 10$ MHz		5.0			5.0		pF
Input Bias Current	$(I_1 + I_4)/2$		12	25		12	30	$\mu\text{A}$
Input Bias Current	$(I_7 + I_8)/2$		12	25		12	30	$\mu\text{A}$
Input Offset Current	$(I_1 - I_4)$		0.7	5.0		0.7	5.0	$\mu\text{A}$
Input Offset Current	$(I_7 - I_8)$		0.7	5.0		5.0	5.0	$\mu\text{A}$
Average Temperature Coefficient of Input Offset Current	$(-55^\circ\text{C} < T_A < +125^\circ\text{C})$ $(0^\circ\text{C} < T_A < +70^\circ\text{C})$		2.0			2.0		nA/ $^\circ\text{C}$ nA/ $^\circ\text{C}$
Output Offset Current	$(I_6 - I_9)$		14	50		14	60	$\mu\text{A}$
Average Temperature Coefficient of Output Offset Current	$(-55^\circ\text{C} < T_A < +125^\circ\text{C})$ $(0^\circ\text{C} < T_A < +70^\circ\text{C})$		90			90		nA/ $^\circ\text{C}$ nA/ $^\circ\text{C}$

## Electrical Characteristics ( $T_A = 25^\circ\text{C}$ , unless otherwise specified, see test circuit) (Continued)

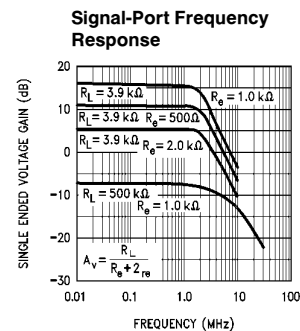
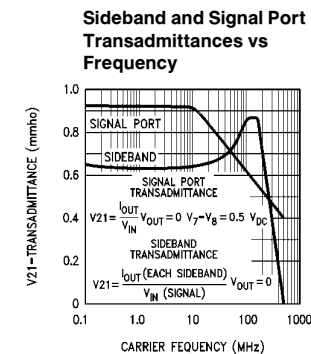
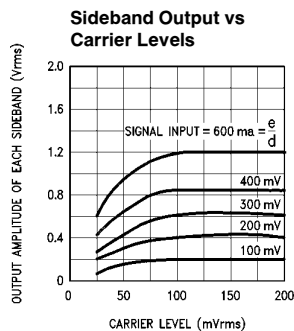
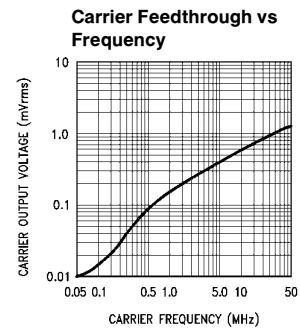
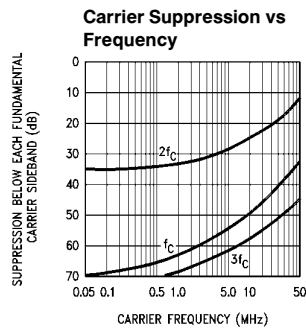
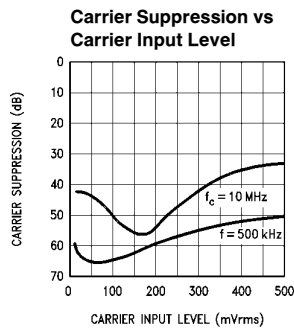
Parameter	Conditions	LM1596			LM1496			Units
		Min	Typ	Max	Min	Typ	Max	
Signal Port Common Mode Input Voltage Range	$f_S = 1.0\text{ kHz}$		5.0			5.0		$V_{p-p}$
Signal Port Common Mode Rejection Ratio	$V_7 - V_8 = 0.5\text{ Vdc}$		-85			-85		dB
Common Mode Quiescent Output Voltage			8.0			8.0		Vdc
Differential Output Swing Capability			8.0			8.0		$V_{p-p}$
Positive Supply Current	$(I_6 + I_9)$		2.0	3.0		2.0	3.0	mA
Negative Supply Current	$(I_{10})$		3.0	4.0		3.0	4.0	mA
Power Dissipation			33			33		mW

**Note 1:** LM1596 rating applies to case temperatures to  $+125^\circ\text{C}$ ; derate linearly at  $6.5\text{ mW}/^\circ\text{C}$  for ambient temperature above  $75^\circ\text{C}$ . LM1496 rating applies to case temperatures to  $+70^\circ\text{C}$ .

**Note 2:** Voltage applied between pins 6-7, 8-1, 9-7, 9-8, 7-4, 7-1, 8-4, 6-8, 2-5, 3-5.

**Note 3:** Refer to rets1596x drawing for specifications of military LM1596H versions.

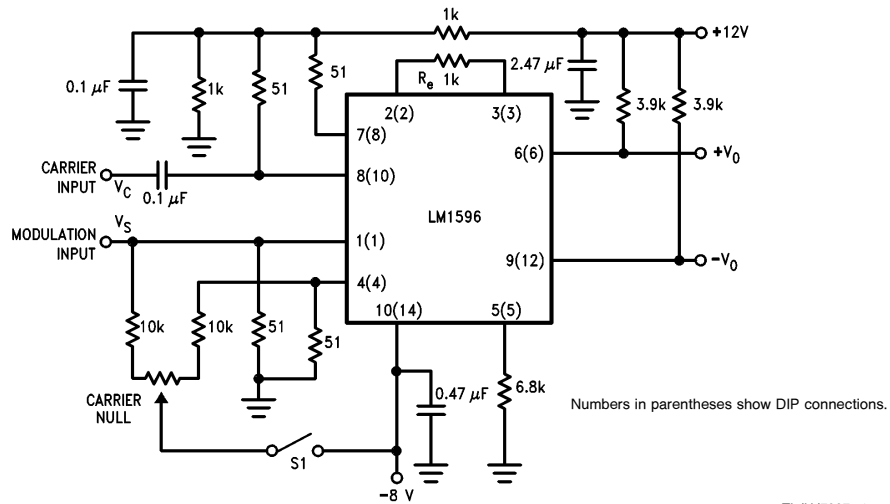
## Typical Performance Characteristics



TL/H/7887-5

## Typical Application and Test Circuit

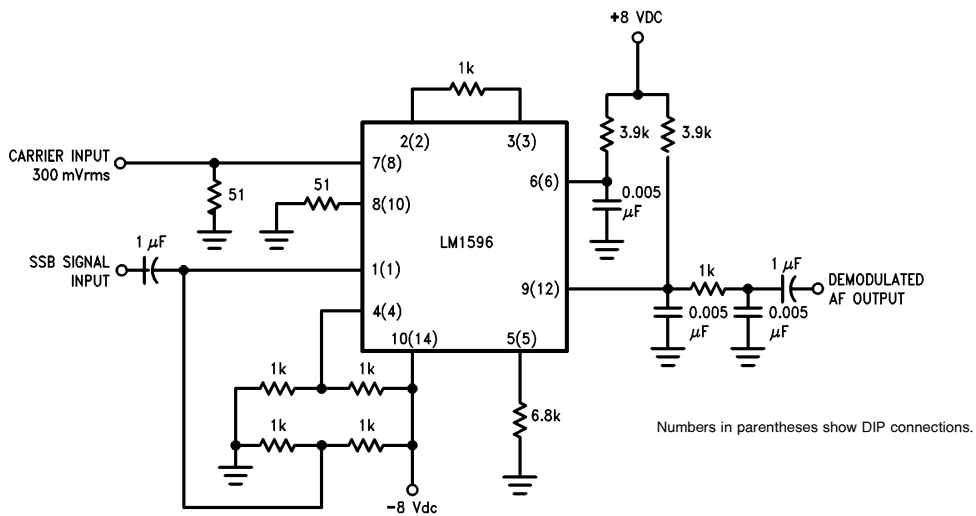
### Suppressed Carrier Modulator



Note: S<sub>1</sub> is closed for "adjusted" measurements.

TL/H/7887-4

### SSB Product Detector

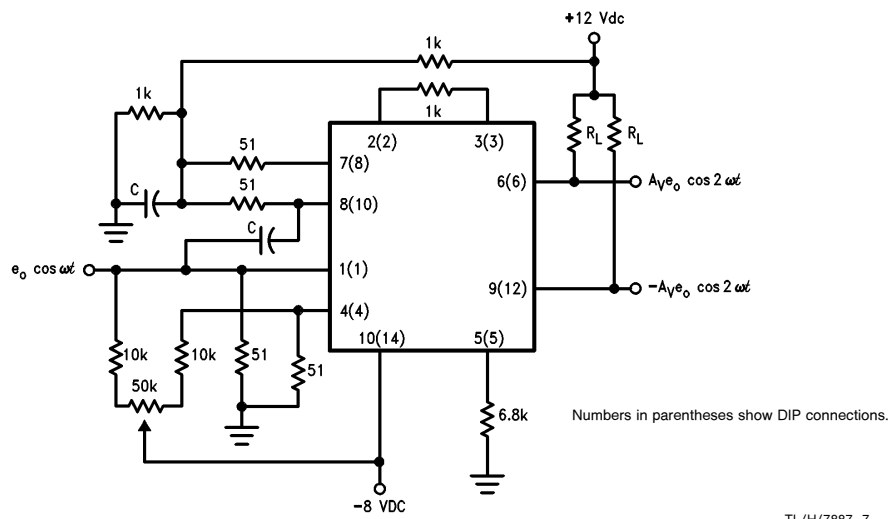


TL/H/7887-6

This figure shows the LM1596 used as a single sideband (SSB) suppressed carrier demodulator (product detector). The carrier signal is applied to the carrier input port with sufficient amplitude for switching operation. A carrier input level of 300 mVrms is optimum. The composite SSB signal is applied to the signal input port with an amplitude of 5.0 to 500 mVrms. All output signal components except the desired demodulated audio are filtered out, so that an offset adjustment is not required. This circuit may also be used as an AM detector by applying composite and carrier signals in the same manner as described for product detector operation.

## Typical Applications (Continued)

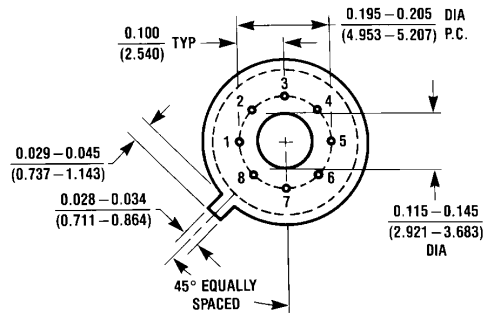
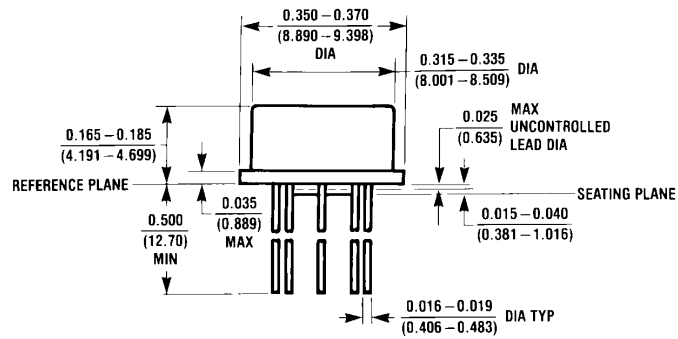
### Broadband Frequency Doubler



The frequency doubler circuit shown will double low-level signals with low distortion. The value of C should be chosen for low reactance at the operating frequency. Signal level at the carrier input must be less than 25 mV peak to maintain operation in the linear region of the switching differential amplifier. Levels to 50 mV peak may be used with some distortion of the output waveform. If a larger input signal is available a resistive divider may be used at the carrier input, with full signal applied to the signal input.

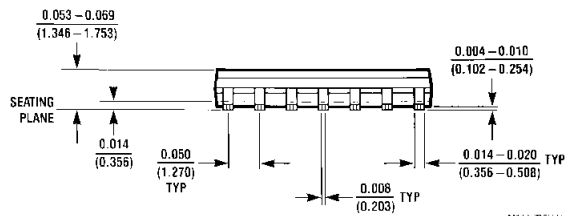
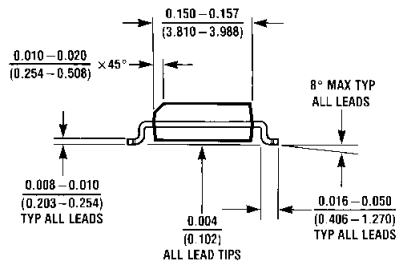
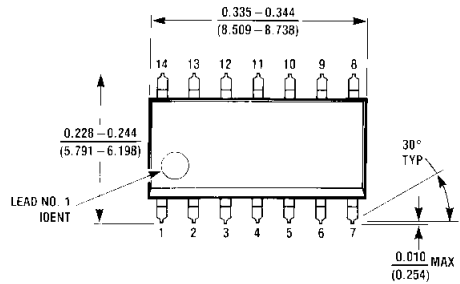


**Physical Dimensions** inches (millimeters)



H08C (REV E)

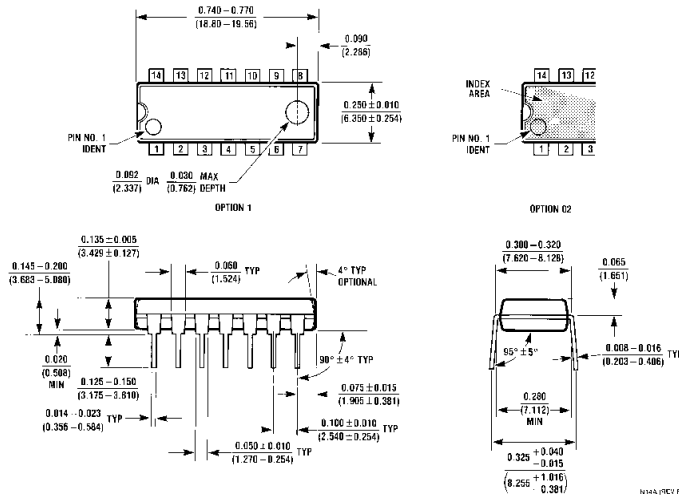
**Metal Can Package (H)**  
Order Number LM1496H or LM1596H  
NS Package Number H08C



M14A (REV H)

**Molded Small Outline Package (M)**  
Order Number LM1496M  
NS Package Number M14A

**Physical Dimensions** inches (millimeters) (Continued)




**Molded Dual-In-Line Package (N)**  
**Order Number LM1496N**  
**NS Package Number N14A**

**LIFE SUPPORT POLICY**

NATIONAL'S PRODUCTS ARE NOT AUTHORIZED FOR USE AS CRITICAL COMPONENTS IN LIFE SUPPORT DEVICES OR SYSTEMS WITHOUT THE EXPRESS WRITTEN APPROVAL OF THE PRESIDENT OF NATIONAL SEMICONDUCTOR CORPORATION. As used herein:

1. Life support devices or systems are devices or systems which, (a) are intended for surgical implant into the body, or (b) support or sustain life, and whose failure to perform, when properly used in accordance with instructions for use provided in the labeling, can be reasonably expected to result in a significant injury to the user.
2. A critical component is any component of a life support device or system whose failure to perform can be reasonably expected to cause the failure of the life support device or system, or to affect its safety or effectiveness.

 <p><b>National Semiconductor Corporation</b>          1111 West Bardin Road          Arlington, TX 76017          Tel: 1(800) 272-9959          Fax: 1(800) 737-7018</p>	<p><b>National Semiconductor Europe</b>          Fax: (+49) 0-180-530 85 86          Email: cnjwge@tevm2.nsc.com          Deutsch Tel: (+49) 0-180-530 85 85          English Tel: (+49) 0-180-532 78 32          Français Tel: (+49) 0-180-532 93 58          Italiano Tel: (+49) 0-180-534 16 80</p>	<p><b>National Semiconductor Hong Kong Ltd.</b>          19th Floor, Straight Block,          Ocean Centre, 5 Canton Rd.          Tsimshatsui, Kowloon          Hong Kong          Tel: (852) 2737-1600          Fax: (852) 2736-9960</p>	<p><b>National Semiconductor Japan Ltd.</b>          Tel: 81-043-299-2309          Fax: 81-043-299-2408</p>
--	--	---	---

National does not assume any responsibility for use of any circuitry described, no circuit patent licenses are implied and National reserves the right at any time without notice to change said circuitry and specifications.