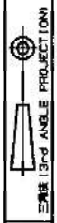
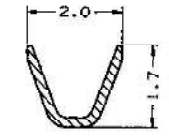
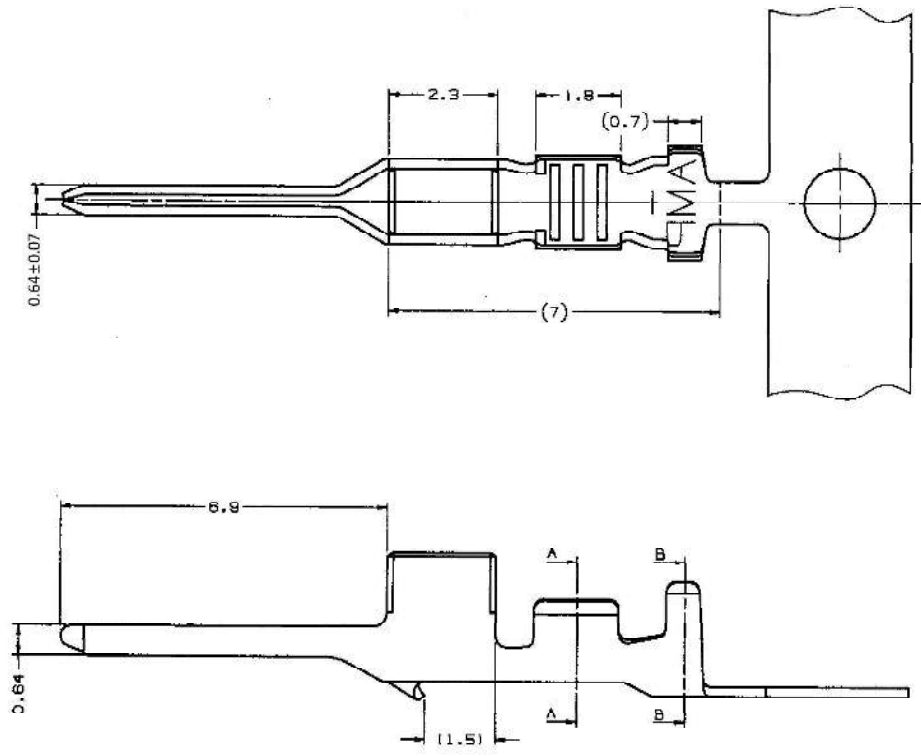
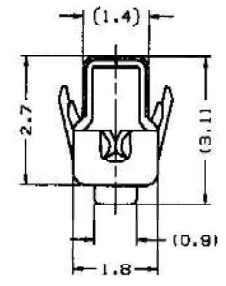


NUMBER 917764
METRIC

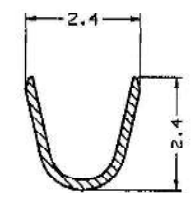


ALL DIMENSIONS IN MM. DO NOT SCALE PRINT

PRINT DIST
REV. 2/93



断面 "A" - "A"
SECT. A-A



断面 "B" - "B"
SECT. B-B

- 注 記:
 1. 使用ハウジングは型番 316086/316097
 2. 製品規格: 108-5459
 3. 取付適用規格: 114-5203

- NOTES:
 1. USE HOUSING P/N 316086/316097
 2. PRODUCT SPEC. : 108-5459
 3. APPLICATION SPEC. ; 114-5203

PRE TINNED BRASS (0.2t)		917764-1																									
MATERIAL & FINISH 材質及び仕上り		PART NO. 型番																									
© COPYRIGHT 2008 BY TYCO ELECTRONICS CORPORATION. ALL INTERNATIONAL RIGHTS RESERVED.																											
適合規格 (WIRE RANGE) 0.3 0.53mm (AWG#22-#20)	実装外径 (INSULATION DIA.) 1.4 - 1.8 mmφ	名称 (NAME) 2.5 シグナル ダブルロック タブ コンタクト (L) 2.5 SIGNAL DBL-LOCK TAB CONTACT (L)																									
材料 (MATERIAL) SEE TABLE 要参照	仕上り (FINISH) SEE TABLE 要参照	<table border="1"> <tr> <td colspan="2">(GENERAL TOLERANCE)</td> <td>LOC</td> <td>数量 (QTY.)</td> </tr> <tr> <td>B</td> <td>J</td> <td></td> <td>917764</td> </tr> <tr> <td colspan="2">10MM ± 0.2</td> <td colspan="2"></td> </tr> <tr> <td colspan="2">FORMER 30MM ± 0.25</td> <td colspan="2"></td> </tr> <tr> <td colspan="2">SOLDER 10MM ± 0.3</td> <td colspan="2"></td> </tr> <tr> <td colspan="2">P.W. ± 0.1</td> <td colspan="2"></td> </tr> </table>		(GENERAL TOLERANCE)		LOC	数量 (QTY.)	B	J		917764	10MM ± 0.2				FORMER 30MM ± 0.25				SOLDER 10MM ± 0.3				P.W. ± 0.1			
(GENERAL TOLERANCE)		LOC	数量 (QTY.)																								
B	J		917764																								
10MM ± 0.2																											
FORMER 30MM ± 0.25																											
SOLDER 10MM ± 0.3																											
P.W. ± 0.1																											
B1 REVISED ECR-20-100273 M.M D.Z 24 JUN 2028	A REVISED (FJ00-0264-97) N.N 20.12.07	DR. 8 SEP '08 A.OISHI	DE. 8 SEP '08 Y.NOGUCHI																								
LTR 変更 (REVISION RECORD)	DR CHK DATE	CHK. 8 SEP '08 Y.KASHIWA	APP. 8 SEP '08 Y.KASHIWA																								

(CUSTOMER DRAWING) 参考図面