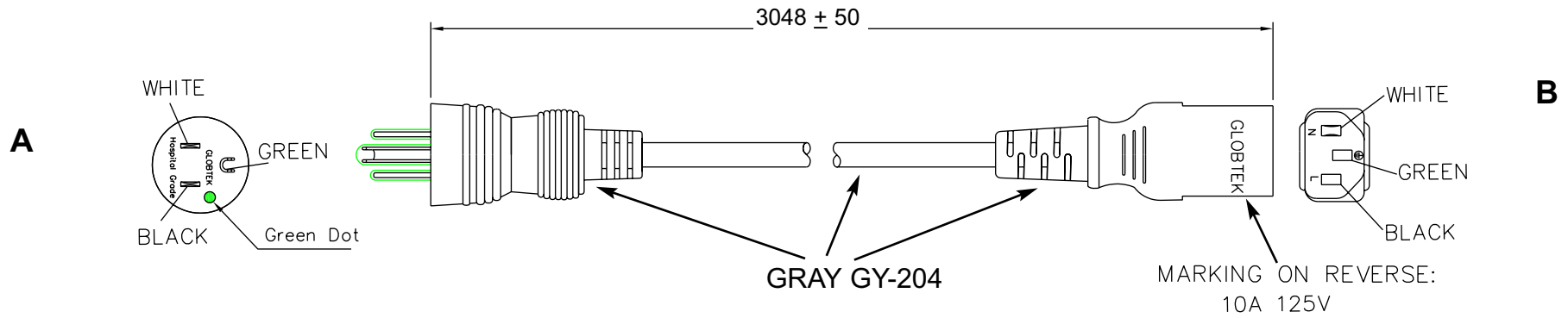


PROPRIETARY INFORMATION:
 PROPRIETARY OF GLOBTEK, INC. ANY REPRODUCTION, DISCLOSURE OR USE OF THIS DRAWING, IN WHOLE OR IN PART, IS HEREBY PROHIBITED EXCEPT AS SPECIFIED IN WRITING BY GLOBTEK, INC.

REVISION			
REV	DESCRIPTION	DATE	APPROVED
A	INITIAL RELEASE, RFS. 10572, SO	03/22/07	HM
B	UPDATE COLOR, RFS. 10815, SO	04/17/07	HM

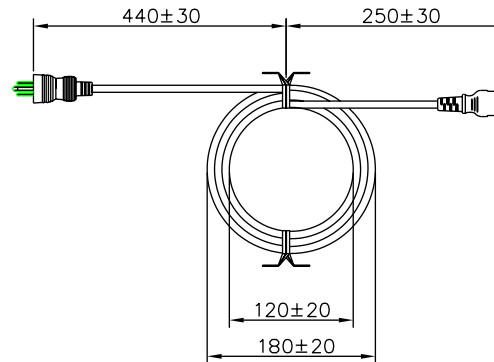


GENERAL SPECIFICATIONS:

RATING: 10A / 125V AC
 CABLE TYPE / SIZE: SJT, 18 AWG X 3C, GRAY GY-204
 TEMPERATURE RATING: 105° C
 CONDUCTOR COLORS: BLACK / WHITE / GREEN
 CABLE JACKET COLOR: GRAY GY-204
 OVERALL LENGTH (L): 3048 ± 50 mm
 CABLE OUTER DIAMETER: 7.8 ± 0.1 mm
 END 'A' TERMINATION: MEDICAL GRADE NEMA 5-15P, GRAY GY-204
 END 'B' TERMINATION: IEC 320 / C13, GRAY GY-204
 APPROVALS PLUG: UL, CSA or cUL
 APPROVALS CABLE: UL, CSA or cUL

PACKING:

HANKING



NOTES:

1. CORD, PLUG AND CONNECTOR MUST BE MARKED WITH APPROVAL SYMBOLS OR FILE NUMBER(S).



DASH NO.	PART NO	REV.	DESCRIPTION	NOTES
TABULATION BLOCK				
		TOLERANCES: DECIMALS ANGULAR .xx +/- 0.1 +/- 1° .xxx +/- .005		GlobTek, Inc. 186 Veterans Dr. Northvale, NJ 07647 www.globtek.com Tel. 201-784-1000 Fax 201.784.0111
		MILLIMETERS ANGULAR .xx +/- 0.3 +/- 1° .xxx +/- .013		
INIT.BY:SO	DATE:	DWG TITLE: MEDICAL GRADE NORTH AMERICAN DETACHABLE CORDSET		REV. B
DRAWN: NF	DATE:	FSCN No.:	SIZE:	
APRVD: HM	DATE:	G, CC, YL	A	
		SCALE: NONE	PART NO: 11914310F0701GY(R)	SHEET 1 / 1

Foot Note:
 Globtek Inc. will not be liable for the safety and performance of these power product if unauthorized access and repair occurs. End user should consult the applicable UL, CSA or EN Standards for proper installation instruction.

Limitation of Use:
 Globtek product are not authorized for use as mission critical components in life support, hazardous environment, nuclear or aircraft applications without prior written approval from the CEO of Globtek Inc.

Contents of this document are subject to change without prior notice