

MOLEX PART NUMBER
YDDLSSSS

Y---YEAR, THE LAST DIGIT OF YEAR
(Y - ISO8601 LAST DIGIT OF YEAR)

DDD---DAY OF THE YEAR
(DDD - ISO8601 DAY OF THE YEAR)

L---LOCATION
1 = USA
2 = MEXICO
3 = CHINA

SSSS---SERIAL NO.

P/N: 111038XXXX
S/N: YDDLSSSS
X.XM XXAWG

X.XM --- CABLE LENGTH

CLEAR POLY WRAP

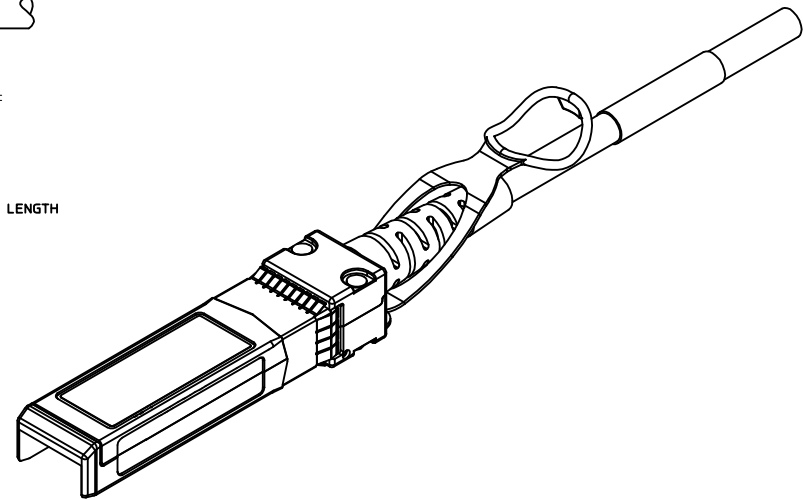
25.4 REF

57 REF

WIRING DIAGRAM

P1 END		P2 END	
PAD	SIGNAL	PAD	SIGNAL
12	RD-	19	TD-
13	RD+	18	TD+
18	TD+	13	RD+
19	TD-	12	RD-

- NOTES:**
1. CUSTOM LENGTHS AND FEATURES AVAILABLE.
 2. SEE DATASHEET FOR MORE INFORMATION.
 3. MATERIALS
BACKSHELLS - NICKEL PLATED ZINC
DE-LATCH - NYLON
PCB - FR-4
RIVETS - STAINLESS STEEL
 4. IMPEDANCE - 100 OHMS DIFFERENTIAL, PASSIVE
 5. PULL TO RELEASE, PLUNGER STYLE LATCH
 6. EACH ASSEMBLY HAS A SERIAL ID
 7. 11.30 Gbps BACKWARDS COMPATIBLE TO 2.0 Gbps
 8. PACKAGING DRAWING IS RPK-111038-002
 9. RoHS COMPLIANT W/ EXEMPTIONS



PART NUMBER	AWG	EEPROM REV	LENGTH	TOLERANCE
1110381101	30	C	1.0M	±0.05M
1110381301	30	C	3.0M	±0.05M
1110381501	30	C	5.0M	±0.08M
1110381701	30	C	7.0M	±0.08M
1110389002	28	C	10.0M	±0.10M

RoHS NOTE & RPK IEC NO: CPG2013-2128 DRAWN BY: DRWNGPEREZ 2012/10/19 J CHYKOLCHIRSHY 2013/01/07 APPR:RWHAN 2013/01/09 REV DESCRIPTION	QUALITY SYMBOLS	GENERAL TOLERANCES (UNLESS SPECIFIED)	DIMENSION STYLE	SCALE	DESIGN UNITS	THIRD ANGLE PROJECTION	
	▽=0	mm INCH	MM ONLY	3:1	METRIC	☉	
	▽=0	4 PLACES +--- +--- 3 PLACES +--- +--- 2 PLACES +--- +--- 1 PLACE +--- +--- 0 PLACE +--- +---	DRAFT WHERE APPLICABLE MUST REMAIN WITHIN DIMENSIONS	DATE	DATE	DATE	TITLE
	▽=0	ANGULAR ±---°	MATERIAL NO.	DATE	DATE	DATE	SD-111038-001

SFP+ 10G ACTIVE CABLE ASSEMBLY W/ EQUALIZATION AND PRE-EMPHASIS



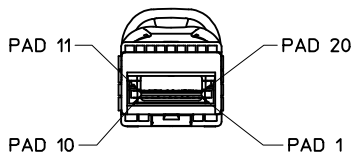
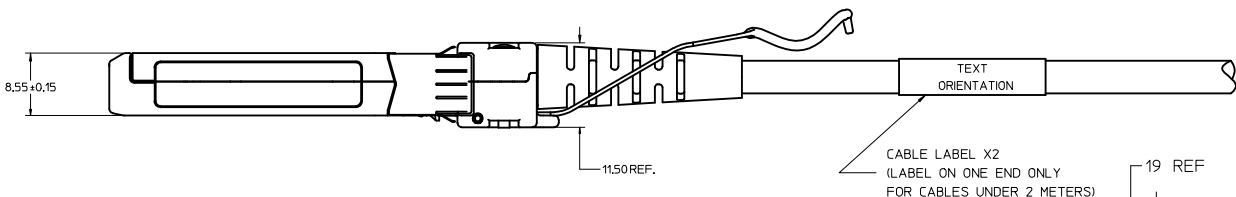
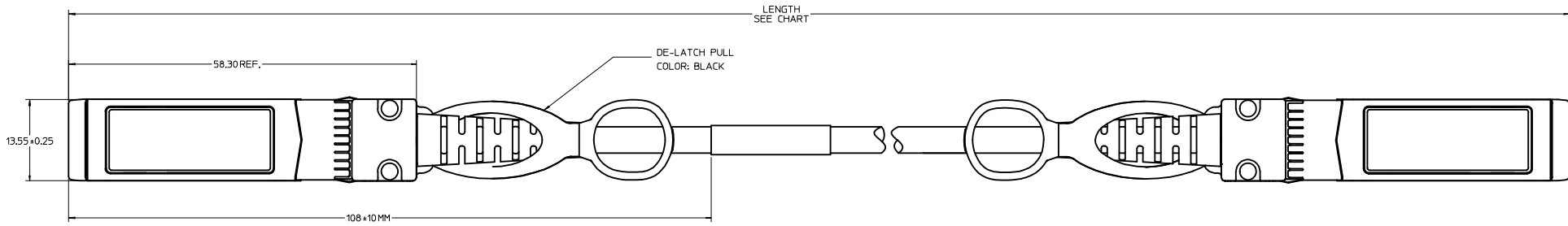
DOCUMENT NO. SD-111038-001

SHEET NO. 1 OF 2

REVISION HISTORY

DATE	REV	DESCRIPTION
2012/12/19	J	ADDED REV HISTORY TABLE. UPDATED RoHS NOTE. ADDED PACKAGING DRAWING NOTE. REMOVED ESD BAG DRAWING.

RoHS NOTE & RPK IEC NO: CPG2013-228 DRWN:PEREZ 2012/12/19 CHYD:HIRSCHY 2013/01/07 APPR:RMK/HAN 2013/01/09	QUALITY SYMBOLS ▽=0 ▽=0 ▽=0	GENERAL TOLERANCES (UNLESS SPECIFIED) <table border="1"> <thead> <tr> <th></th> <th>mm</th> <th>INCH</th> </tr> </thead> <tbody> <tr> <td>4 PLACES</td> <td>±----</td> <td>±----</td> </tr> <tr> <td>3 PLACES</td> <td>±----</td> <td>±----</td> </tr> <tr> <td>2 PLACES</td> <td>±----</td> <td>±----</td> </tr> <tr> <td>1 PLACE</td> <td>±----</td> <td>±----</td> </tr> <tr> <td>0 PLACE</td> <td>±----</td> <td>±----</td> </tr> </tbody> </table>		mm	INCH	4 PLACES	±----	±----	3 PLACES	±----	±----	2 PLACES	±----	±----	1 PLACE	±----	±----	0 PLACE	±----	±----	DIMENSION STYLE MM ONLY	SCALE 1:1	DESIGN UNITS METRIC	THIRD ANGLE PROJECTION
		mm	INCH																					
	4 PLACES	±----	±----																					
	3 PLACES	±----	±----																					
2 PLACES	±----	±----																						
1 PLACE	±----	±----																						
0 PLACE	±----	±----																						
DRAWN BY KLLOYD	DATE 2008/08/08	TITLE SFP+ 10G ACTIVE CABLE ASSEMBLY W/ EQUALIZATION AND PRE-EMPHASIS	MATERIAL NO.																					
CHECKED BY GBWALZ	DATE 2008/08/08	APPROVED BY GBWALZ	DATE 2008/08/08	DOCUMENT NO. SD-111038-001	SHEET NO. 2 OF 2	SIZE D																		
ANGULAR ±----° DRAFT WHERE APPLICABLE MUST REMAIN WITHIN DIMENSIONS			THIS DRAWING CONTAINS INFORMATION THAT IS PROPRIETARY TO MOLEX INCORPORATED AND SHOULD NOT BE USED WITHOUT WRITTEN PERMISSION																					



MOLEX PART NUMBER
YDDLSSSS

Y---YEAR, THE LAST DIGIT OF YEAR
(Y - ISO8601 LAST DIGIT OF YEAR)

DDD---DAY OF THE YEAR
(DDD - ISO8601 DAY OF THE YEAR)

L---LOCATION
1 = USA
2 = MEXICO
3 = CHINA

SSSS---SERIAL NO.

P/N: 111038XXXX
S/N: YDDLSSSS
X.XM XXAWG

X.XM --- CABLE LENGTH

CLEAR POLY WRAP

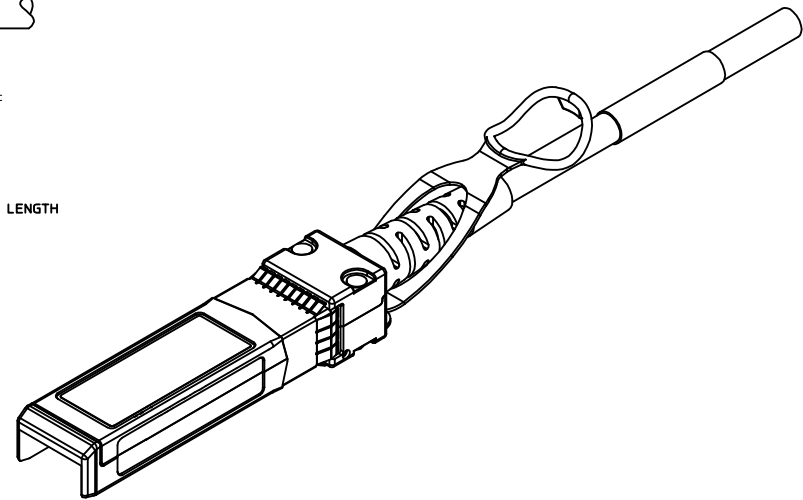
25.4 REF

57 REF

WIRING DIAGRAM

P1 END		P2 END	
PAD	SIGNAL	PAD	SIGNAL
12	RD-	19	TD-
13	RD+	18	TD+
18	TD+	13	RD+
19	TD-	12	RD-

- NOTES:**
1. CUSTOM LENGTHS AND FEATURES AVAILABLE.
 2. SEE DATASHEET FOR MORE INFORMATION.
 3. MATERIALS
BACKSHELLS - NICKEL PLATED ZINC
DE-LATCH - NYLON
PCB - FR-4
RIVETS - STAINLESS STEEL
 4. IMPEDANCE - 100 OHMS DIFFERENTIAL, PASSIVE
 5. PULL TO RELEASE, PLUNGER STYLE LATCH
 6. EACH ASSEMBLY HAS A SERIAL ID
 7. 11.30 Gbps BACKWARDS COMPATIBLE TO 2.0 Gbps
 8. PACKAGING DRAWING IS RPK-111038-002
 9. RoHS COMPLIANT W/ EXEMPTIONS



PART NUMBER	AWG	EEPROM REV	LENGTH	TOLERANCE
1110381101	30	C	1.0M	±0.05M
1110381301	30	C	3.0M	±0.05M
1110381501	30	C	5.0M	±0.08M
1110381701	30	C	7.0M	±0.08M
1110389002	28	C	10.0M	±0.10M

RoHS NOTE & RPK IEC NO: CPG2013-2128 DRAWN BY: DRWNGPEREZ 2012/10/19 CHECKED BY: CHYKCHIRSHY 2013/01/07 APPROVED BY: APPR:RWKJAN 2013/01/09 REV DESCRIPTION	QUALITY SYMBOLS	GENERAL TOLERANCES (UNLESS SPECIFIED)	DIMENSION STYLE	SCALE	DESIGN UNITS	THIRD ANGLE PROJECTION	
	▽=0	mm INCH	MM ONLY	3:1	METRIC	☉	
	▽=0	4 PLACES +--- +--- 3 PLACES +--- +--- 2 PLACES +--- +--- 1 PLACE +--- +--- 0 PLACE +--- +---	DRAFT WHERE APPLICABLE MUST REMAIN WITHIN DIMENSIONS	DRAWN BY: KLOYD DATE: 2008/08/08 CHECKED BY: DATE: APPROVED BY: DATE: 2008/08/08	TITLE		
	▽=0	ANGULAR ±---°	SEE CHART	SFP+ 10G ACTIVE CABLE ASSEMBLY W/ EQUALIZATION AND PRE-EMPHASIS molex MATERIAL NO. SD-111038-001 DOCUMENT NO. SD-111038-001 SHEET NO. 1 OF 2			

REVISION HISTORY

DATE	REV	DESCRIPTION
2012/12/19	J	ADDED REV HISTORY TABLE. UPDATED RoHS NOTE. ADDED PACKAGING DRAWING NOTE. REMOVED ESD BAG DRAWING.

RoHS NOTE & RPK IEC NO: CPG2013-228 J DRW:KPEREZ 2012/12/19 CHYD:GHIRSCHY 2013/01/07 APPR:RMK/AN 2013/01/09	QUALITY SYMBOLS ▽=0 ▽=0 ▽=0	GENERAL TOLERANCES (UNLESS SPECIFIED)		DIMENSION STYLE MM ONLY	SCALE 1:1	DESIGN UNITS METRIC	THIRD ANGLE PROJECTION		
		4 PLACES ±--- ±--- 3 PLACES ±--- ±--- 2 PLACES ±--- ±--- 1 PLACE ±--- ±--- 0 PLACE ±--- ±---	mm INCH	DRAWN BY DATE KLLOYD 2008/08/08	CHECKED BY DATE GBWALZ 2008/08/08	TITLE SFP+ 10G ACTIVE CABLE ASSEMBLY W/ EQUALIZATION AND PRE-EMPHASIS			
		ANGULAR ±---° DRAFT WHERE APPLICABLE MUST REMAIN WITHIN DIMENSIONS		APPROVED BY DATE GBWALZ 2008/08/08	MATERIAL NO. SEE SHEET 1	DOCUMENT NO. SD-111038-001	SHEET NO. 2 OF 2		
		SIZE D THIS DRAWING CONTAINS INFORMATION THAT IS PROPRIETARY TO MOLEX INCORPORATED AND SHOULD NOT BE USED WITHOUT WRITTEN PERMISSION							