

62638-1 ✓ ACTIVE

TE Internal #: 62638-1

Ring Terminals & Spade Terminals, Ring Tongue, 22 – 20 AWG

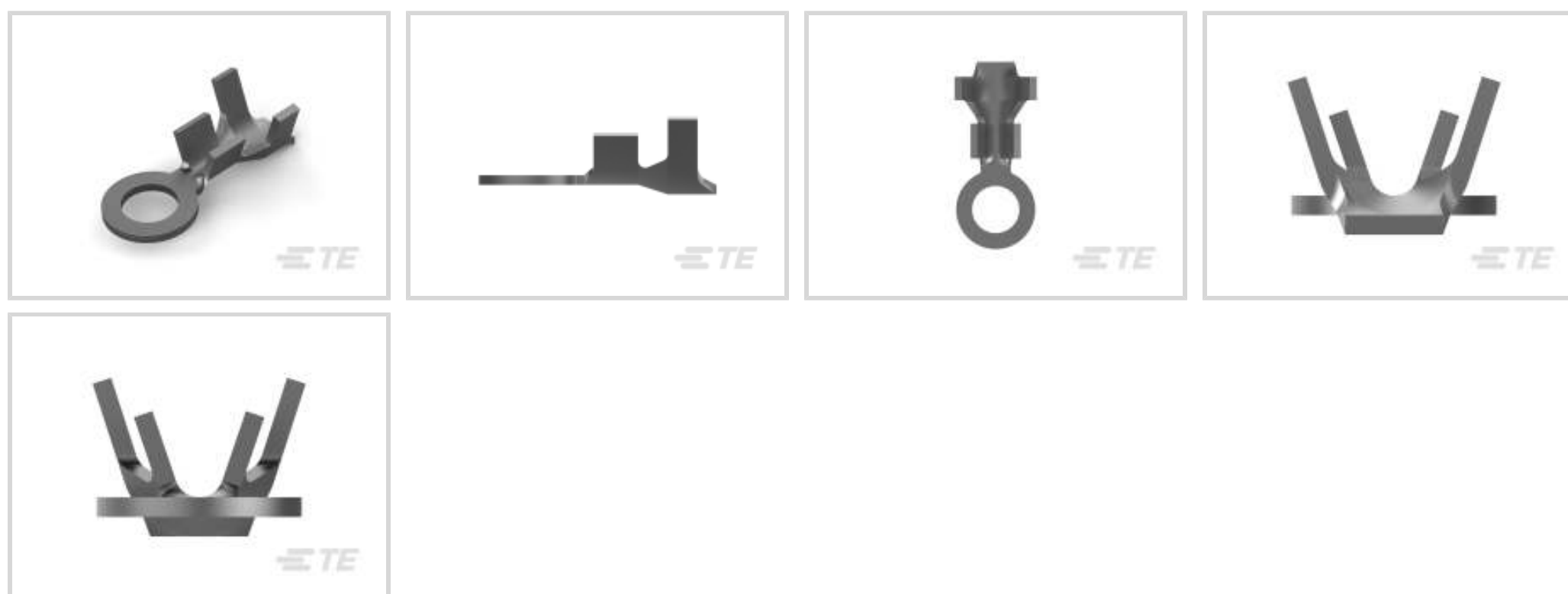
Wire Size, .3 – .6 mm<sup>2</sup> Wire Size, 642 – 1021 CMA Wire Size, Stud

Size M3 / #5

[View on TE.com >](#)



Terminals & Splices > Ring Terminals & Spade Terminals



Ring & Spade Terminal Type: **Ring Tongue**

Wire Size: **642 – 1021 CMA**

Stud Size: **#5, M3**

## Features

### Product Type Features

|  |                    |
|--|--------------------|
| Shape Description                      | Circular/Oval      |
| Stud Size                              | #5, M3             |
| Sealable                               | No                 |
| Compatible With Discrete Wire Type     | Stranded           |
| Wire Insulation Support Retention Type | Insulation Support |

### Configuration Features

|                 |   |
|-----------------|---|
| Number of Holes | 1 |
|-----------------|---|

### Contact Features

|                               |             |
|-------------------------------|-------------|
| Contact Base Material         | Brass       |
| Ring & Spade Terminal Type    | Ring Tongue |
| Barrel Type                   | Open        |
| Terminal Orientation          | Straight    |
| Terminal Plating Material     | Tin         |
| Contact Underplating Material | Nickel      |

### Mechanical Attachment

|                         |      |
|-------------------------|------|
| Wire Insulation Support | With |
|-------------------------|------|



### Dimensions

|                                      |                                   |
|--------------------------------------|-----------------------------------|
|                                      | .07 in                            |
| Wire Size                            | 642 – 1021 CMA                    |
| Stud Diameter                        | 3.2 mm[.126 in]                   |
| Tongue Thickness                     | .51 mm[.02 in]                    |
| Product Length                       | 11.68 mm[.46 in]                  |
| Barrel Inside Diameter               | 1.27 mm, 3.07 mm[.05 in][.121 in] |
| Compatible Insulation Diameter (Max) | 3.05 mm[.12 in]                   |
| Compatible Insulation Diameter Range | 1.78 – 3.05 mm[.07 – .12 in]      |

### Usage Conditions

|                             |                            |
|-----------------------------|----------------------------|
| Insulation Option           | Uninsulated                |
| Operating Temperature Range | -40 – 110 °C[-40 – 230 °F] |

### Operation/Application

|                                    |        |
|------------------------------------|--------|
| Compatible With Wire Base Material | Copper |
|------------------------------------|--------|

### Industry Standards

|                               |    |
|-------------------------------|----|
| Government Qualified Terminal | No |
|-------------------------------|----|

### Packaging Features

|                    |            |
|--------------------|------------|
| Packaging Quantity | 20000      |
| Packaging Method   | Strip/Reel |

### Product Compliance












[For compliance documentation, visit the product page on TE.com>](#)

|   |  |
|---|--|
| EU RoHS Directive 2011/65/EU                  | Compliant  |
| EU ELV Directive 2000/53/EC                   | Compliant  |
| China RoHS 2 Directive MIIT Order No 32, 2016 | No Restricted Materials Above Threshold  |
| EU REACH Regulation (EC) No. 1907/2006        | Current ECHA Candidate List: JUNE 2023 (235)<br>Candidate List Declared Against: JAN 2023 (233)<br>Does not contain REACH SVHC |
| Halogen Content                               | Low Halogen - Br, Cl, F, I < 900 ppm per homogenous material. Also BFR/CFR/PVC Free  |
| Solder Process Capability                     | Not applicable for solder process capability   |

## Product Compliance Disclaimer

This information is provided based on reasonable inquiry of our suppliers and represents our current actual knowledge based on the information they provided. This information is subject to change. The part numbers that TE has identified as EU RoHS compliant have a maximum concentration of 0.1% by weight in homogenous materials for lead, hexavalent chromium, mercury, PBB, PBDE, DBP, BBP, DEHP, DIBP, and 0.01% for cadmium, or qualify for an exemption to these limits as defined in the Annexes of Directive 2011/65/EU (RoHS2). Finished electrical and electronic equipment products will be CE marked as required by Directive 2011/65/EU. Components may not be CE marked. Additionally, the part numbers that TE has identified as EU ELV compliant have a maximum concentration of 0.1% by weight in homogenous materials for lead, hexavalent chromium, and mercury, and 0.01% for cadmium, or qualify for an exemption to these limits as defined in the Annexes of Directive 2000/53/EC (ELV). Regarding the REACH Regulation, the information TE provides on SVHC in articles for this part number is based on the latest European Chemicals Agency (ECHA) 'Guidance on requirements for substances in articles' posted at this URL: <https://echa.europa.eu/guidance-documents/guidance-on-reach>

## Compatible Parts

|  |  |  |  |
|--|--|--|--|
|  <p>TE Part # 160344-2<br/>RING TONGUE 20-16 AWG .025 X .840</p>        |  <p>TE Part # 60700-2<br/>RING CRIMP 20-16 AWG TPBR</p> |  <p>TE Part # 61764-1<br/>RING CRIMP 20-16 AWG BR</p>           |  <p>TE Part # 160337-2<br/>RING TONGUE IS 18-14 0.295 X .940 TPBR</p> |
|  <p>TE Part # 40888<br/>RING TERMINAL 20-16 AWG TPBR</p>                |  <p>TE Part # 40697<br/>RING TONGUE 22-18 AWG TPBR</p>  |  <p>TE Part # 40698<br/>RING TONGUE 22-18 AWG TPBR</p>          |  <p>TE Part # 42164-2<br/>RING TERMINAL 24-20 AWG TPBR</p>            |
|  <p>TE Part # 160548-2<br/>RING TONGUE 22-20 AWG .0120 X .290 PTPBR</p> |  <p>TE Part # 170005-6<br/>RING TERMINAL</p>            |  <p>TE Part # 4150131-1<br/>OCEAN-2.0-APPLICATOR-E-090F1800</p> |  |

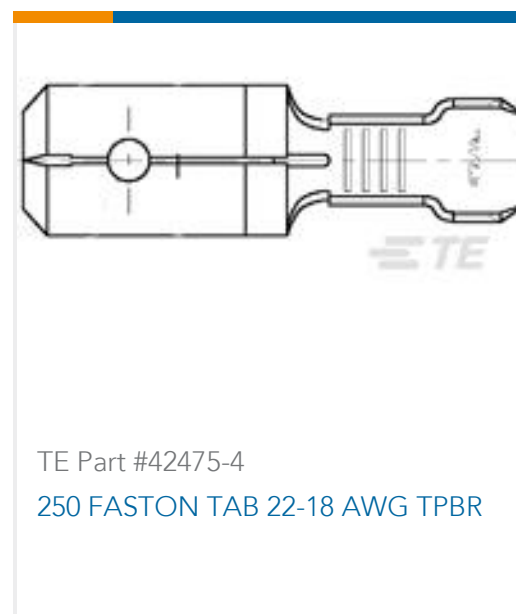
## Customers Also Bought



TE Part #917683-1  
2.5 SIGNAL DBL LOCK REC CONT L



TE Part #41580  
RING TERMINAL 24-20 AWG TPBR



TE Part #42475-4  
250 FASTON TAB 22-18 AWG TPBR



TE Part #640204-1  
RING .164 (4.17 MM) 22-18 AWG TPST



TE Part #927774-1  
JPT REC 2.8 Contact SRC Sn



TE Part #144969-1  
MOS0,63 Sn rec LL unseal. 0,2-0,6



TE Part #3-173974-7  
PL MKII 187 REC HSG 1P NYLON  
GWT RED



TE Part #4150131-1  
OCEAN-2.0-APPLICATOR-E-090F1800



TE Part #7-4150131-7  
OCEAN\_2.0\_SPARE\_PART\_KIT-  
090F1800

## Documents

### Product Drawings

[RING TONGUE 22-20 AWG TPBR](#)

English

### CAD Files

[3D PDF](#)

3D

Customer View Model

[ENG\\_CVM\\_CVM\\_62638-1\\_F\\_c-62638-1-f.2d\\_dxf.zip](#)

English

Customer View Model

[ENG\\_CVM\\_CVM\\_62638-1\\_F\\_c-62638-1-f.3d\\_igs.zip](#)

English

Customer View Model

[ENG\\_CVM\\_CVM\\_62638-1\\_F\\_c-62638-1-f.3d\\_stp.zip](#)

English

By downloading the CAD file I accept and agree to the [Terms and Conditions](#) of use.

### Product Specifications



### Application Specification

English

---

### Product Environmental Compliance

#### Product Compliance

English

#### Product Compliance

English