

HEADER WITH LEFT HOLD DOWN (FIG.1)				
PART NUMBER	NUMBER OF POWER MODULES	'DIM A'	PLATING OPTION	LEFT HOLD DOWN MODULE LOCATION ⁹
78353-100*	1X	15.00	TIN	REFER TO SHEET 2 FOR DETAILS
78353-10**	2X	26.40		

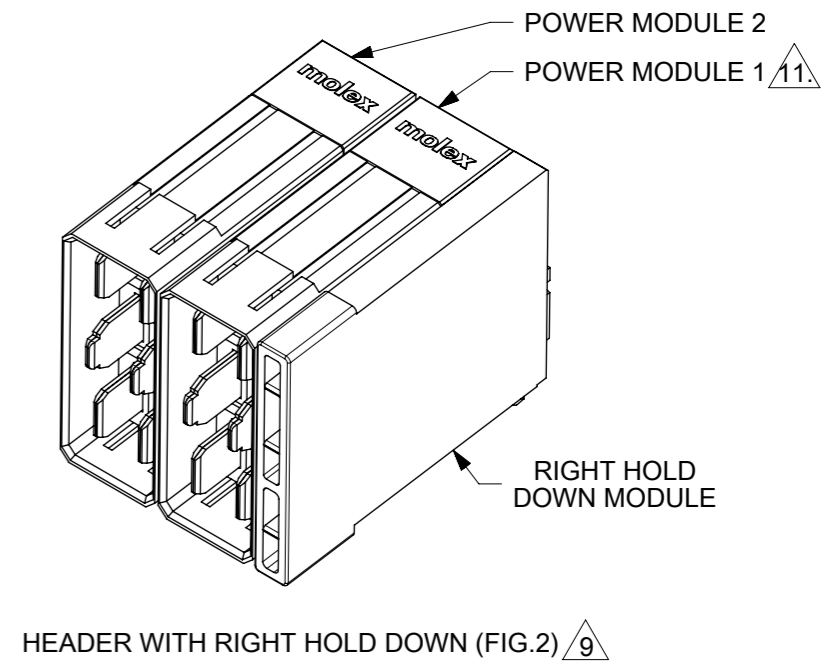
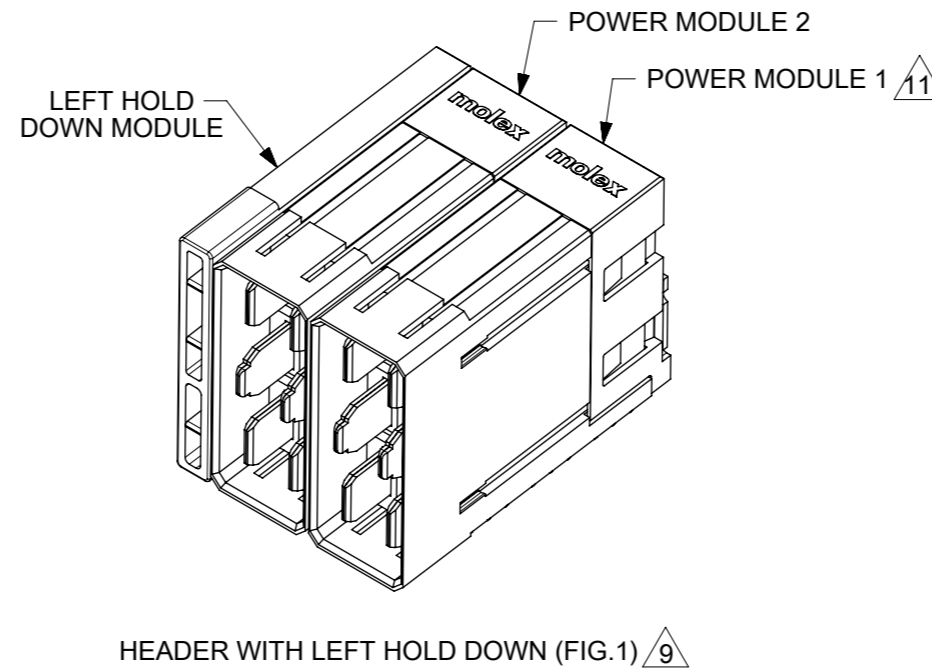
HEADER WITH RIGHT HOLD DOWN (FIG.2)				
PART NUMBER	NUMBER OF POWER MODULES	'DIM A'	PLATING OPTION	RIGHT HOLD DOWN MODULE LOCATION ⁹
78353-200*	1X	15.00	TIN	REFER TO SHEET 3 FOR DETAILS
78353-20**	2X	26.40		

78353-*0**

PLATING OPTION	HOLD DOWN MODULE LOCATION	*
TIN	LEFT	1
	RIGHT	2

POWER MODULE 2			
*	BLADE LENGTH		
	P1	P2	P3
0	MODULE NOT PRESENT		
1	6.90	6.90	6.90
2	5.70	5.70	6.90
5	6.90	5.70	5.70
7	5.70	6.90	6.90

POWER MODULE 1 ¹¹			
*	BLADE LENGTH		
	P1	P2	P3
1	6.90	6.90	6.90
2	5.70	5.70	6.90
5	6.90	5.70	5.70
7	5.70	6.90	6.90



NOTES:

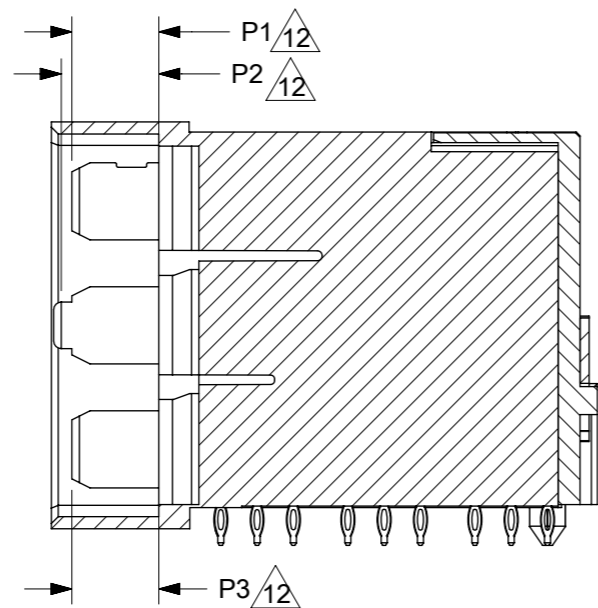
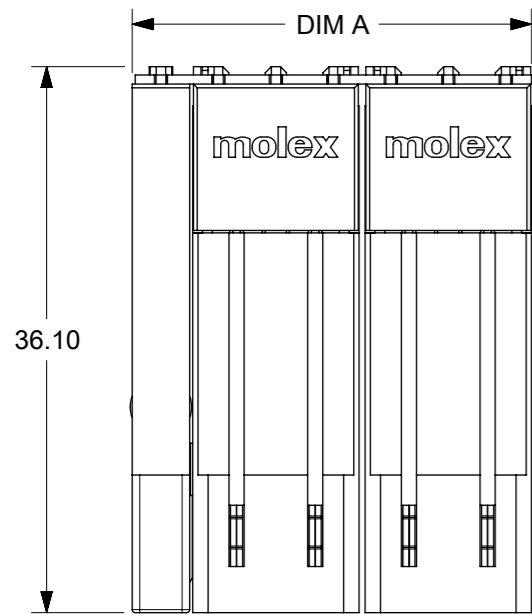
1. MATERIALS:
HOUSING - HIGH TEMP. THERMOPLASTIC, GLASS FILLED, UL94-V0,COLOR:BLACK.
POWER PIN - COPPER ALLOY.
2. FINISH:
POWER CONTACTS
0.76µm MINIMUM GOLD AT CONTACT AREA AND
2.54µm MINIMUM TIN AT SOLDER TAIL AREA
OVER 1.27µm MINIMUM NICKEL UNDERPLATE.
3. PRODUCT SPECIFICATION: PS-78213-001.
- ⁴ COMPONENT STAY AWAY ZONE FROM CONNECTOR.
- ⁵ REFER TO MOLEX PRODUCT SPECIFICATION PS-78213-001 FOR PLATED THROUGH-HOLE SPECIFICATIONS AND TORQUE FORCE.
6. MATES WITH 78218-****.
- ⁷ PART NUMBER AND YEAR-DAY CODE. CAN BE AT THE OPPOSITE SIDE.
- ⁸ ADD 11.4mm FOR EACH ADDITIONAL POWER MODULE.
- ⁹ THE DETAILS FOR LEFT & RIGHT HOLD DOWN OPTION ARE SHOWN IN SHEET 2 AND SHEET 3 RESPECTIVELY.
10. CONNECTORS ARE PACKED IN A TRAY.
- ¹¹ FIRST POWER MODULE (#1) START FROM THE RIGHT.
- ¹² REFER TO SD-78217-003 FOR DETAILS OF THE POWER MODULE.
- ¹³ ALL PARTS ARE SHIPPED WITH A 2-32 TYPE AB SELF-TAPPING SCREW PART NUMBER 73726-0000.
14. PACKAGING SPECIFICATION:
PK-78353-001 (1X MODULE WITH HOLD DOWN MODULE)
PK-78353-002 (2X MODULE WITH HOLD DOWN MODULE)

HEADER WITH LEFT HOLD DOWN (FIG.1) ⁹

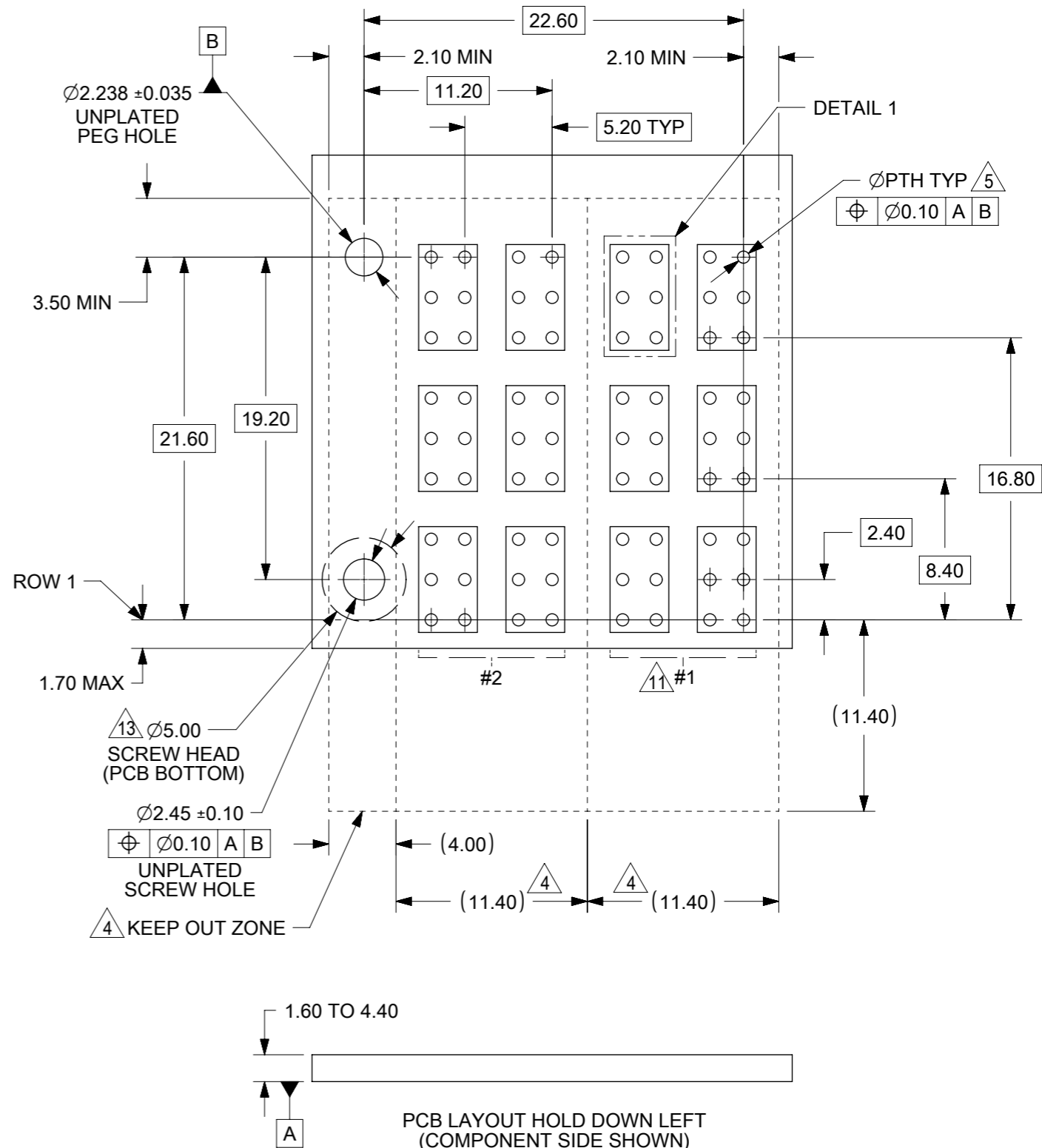
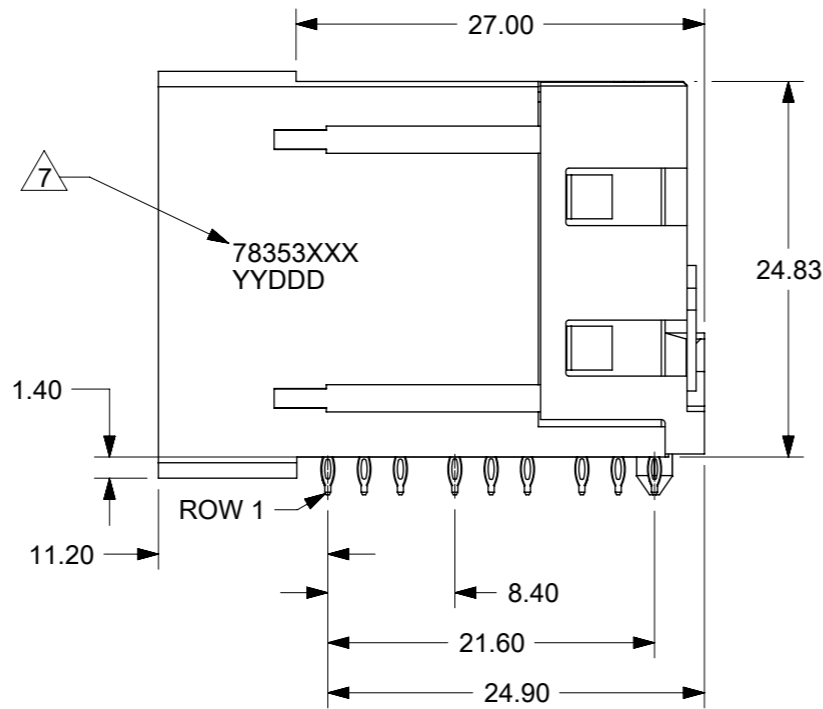
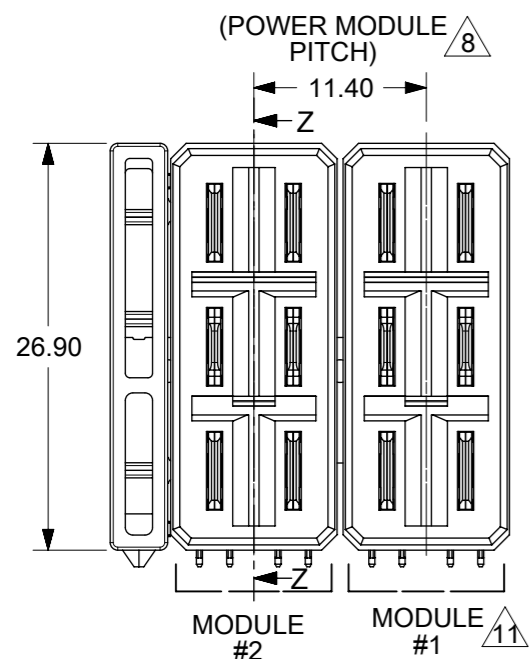
HEADER WITH RIGHT HOLD DOWN (FIG.2) ⁹

SYMBOLS	THIS DRAWING CONTAINS INFORMATION THAT IS PROPRIETARY TO MOLEX ELECTRONIC TECHNOLOGIES, LLC AND SHOULD NOT BE USED WITHOUT WRITTEN PERMISSION		CURRENT REV DESC: MIGRATION TO NX						
	▽ = 0	MM ONLY	SCALE	NTS					
	▽ = 0	GENERAL TOLERANCES (UNLESS SPECIFIED)							
	▽ = 0	ANGULAR TOL	±	3.0°					
▽ = 0	4 PLACES	±			EC NO: 602221				
▽ = 0	3 PLACES	±			DRWN: JSGOH01 2018/07/25				
▽ = 0	2 PLACES	±	0.25		CHK'D: SHONG 2018/08/07				
▽ = 0	1 PLACE	±			APPR: SHONG 2018/08/07				
▽ = 0	0 PLACES	±			INITIAL REVISION:				
▽ = 0	DRAFT WHERE APPLICABLE MUST REMAIN WITHIN DIMENSIONS		THIRD ANGLE PROJECTION	DRAWING	SERIES	DOCUMENT NUMBER	DOC TYPE	DOC PART	REVISION
				A3-SIZE	78353	SD-78353-001	PSD	001	B5
						SEE TABLE	GENERAL MARKET		1 OF 5

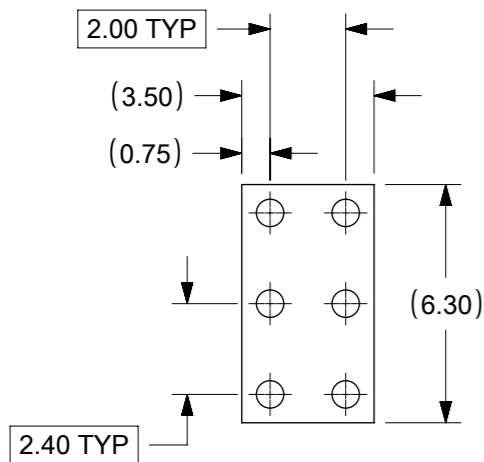
LEFT HOLD DOWN OPTION



SECTION Z-Z



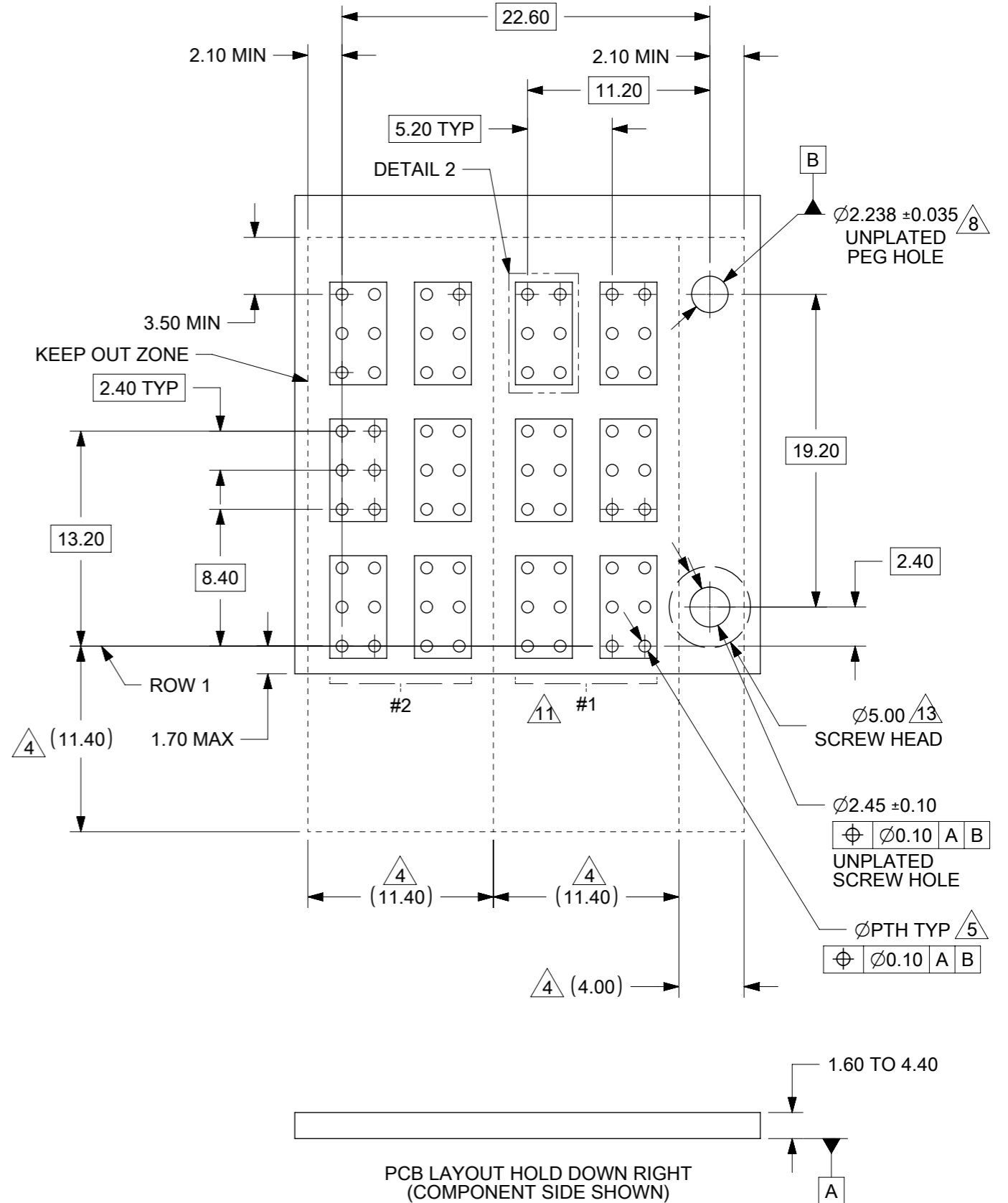
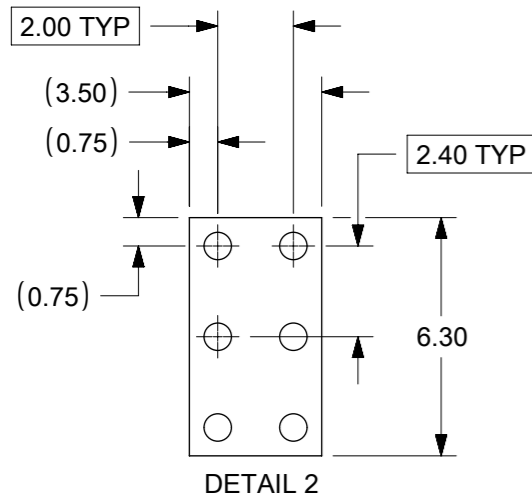
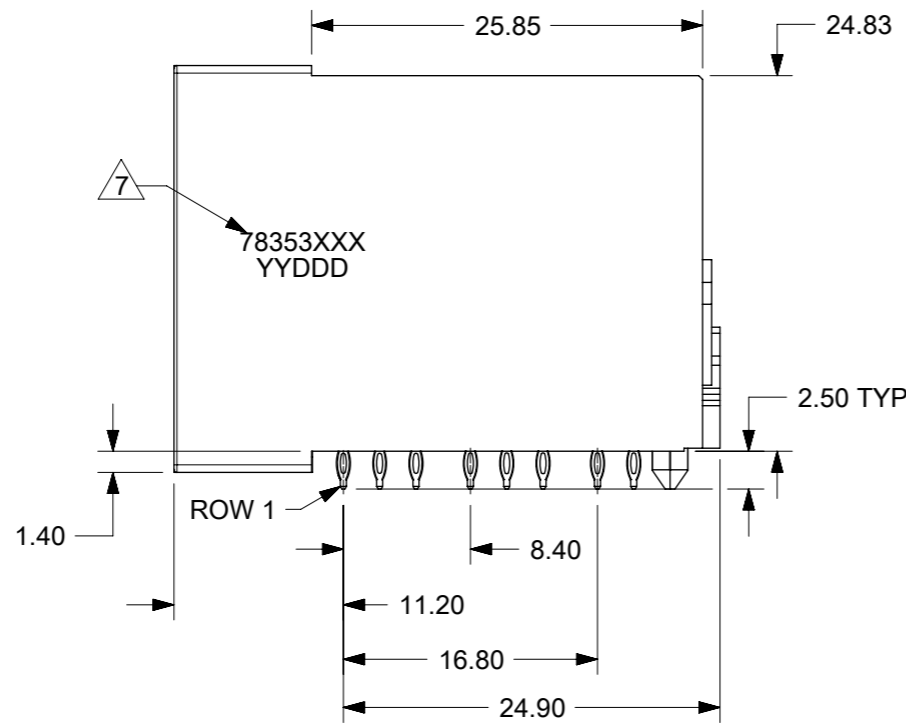
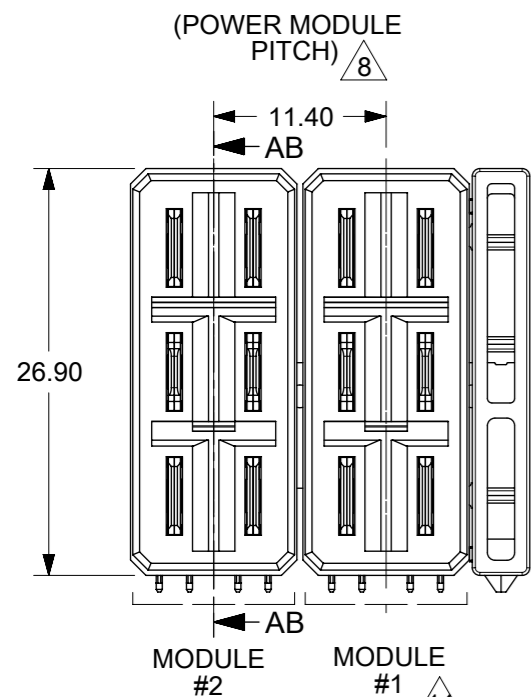
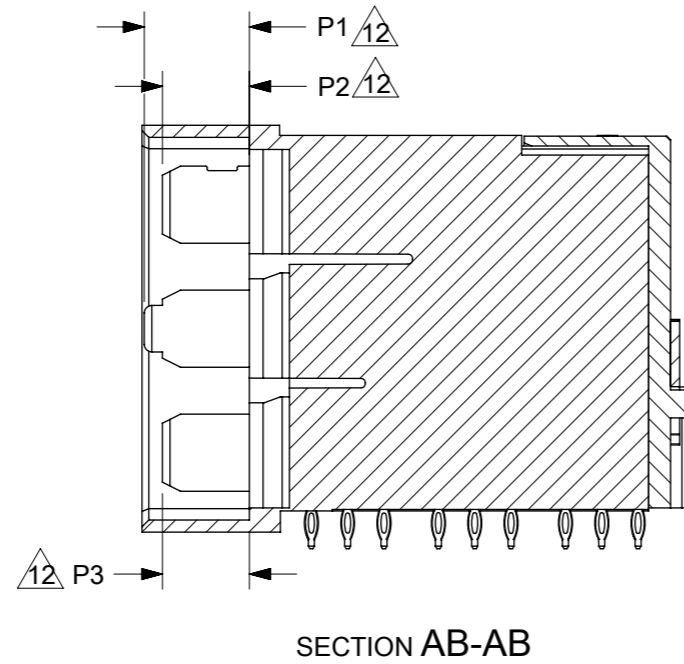
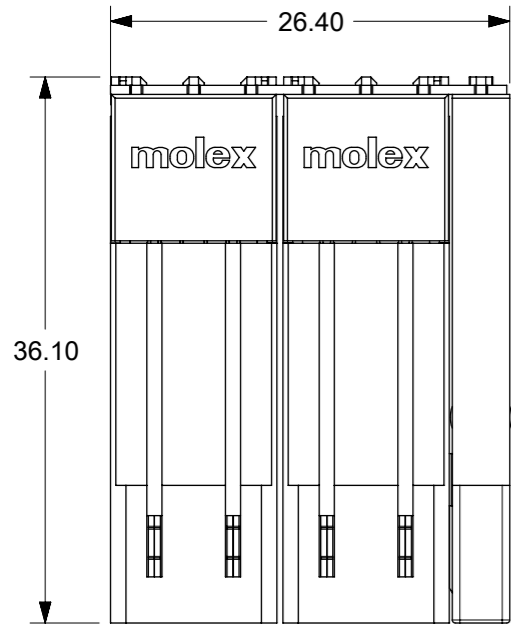
PCB LAYOUT HOLD DOWN LEFT
(COMPONENT SIDE SHOWN)



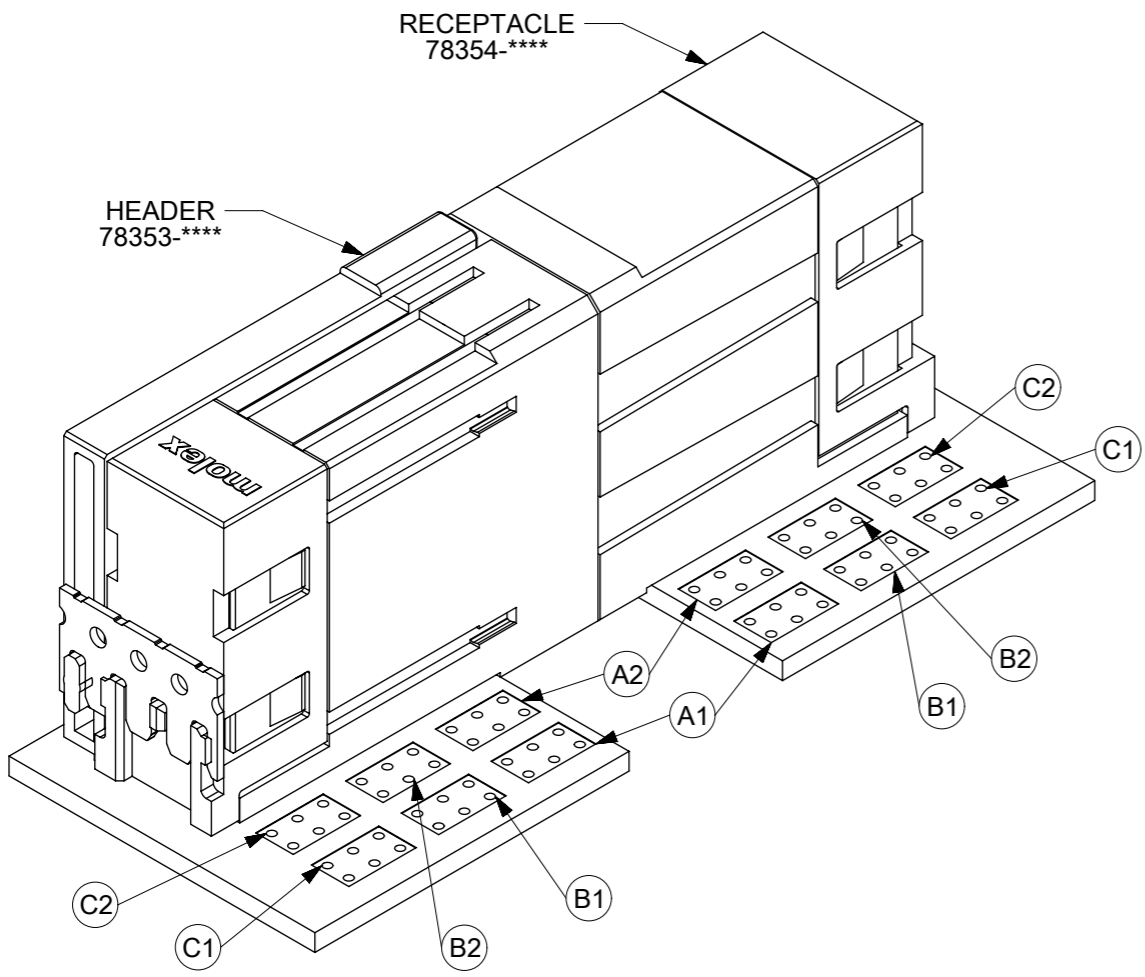
COPPER PAD REFERENCE
DETAIL 1

SYMBOLS		THIS DRAWING CONTAINS INFORMATION THAT IS PROPRIETARY TO MOLEX ELECTRONIC TECHNOLOGIES, LLC AND SHOULD NOT BE USED WITHOUT WRITTEN PERMISSION	
▽ = 0	DIMENSION UNITS	SCALE	CURRENT REV DESC: MIGRATION TO NX
▽ = 0	MM ONLY	NTS	
▽ = 0	GENERAL TOLERANCES (UNLESS SPECIFIED)		molex IMPACT POWER, 6 PAIR HEADER WITH HOLD DOWN PRESS FIT PRODUCT CUSTOMER DRAWING
▽ = 0	ANGULAR TOL ± 3.0°		
▽ = 0	4 PLACES ±	EC NO: 602221	
▽ = 0	3 PLACES ±	DRWN: JSGOH01 2018/07/25	
▽ = 0	2 PLACES ± 0.25	CHK'D: SHONG 2018/08/07	
▽ = 0	1 PLACE ±	APPR: SHONG 2018/08/07	INITIAL REVISION:
▽ = 0	0 PLACES ±	DRWN: LNG 2010/12/02	DRWN: LNG 2010/12/02
▽ = 0	DRAFT WHERE APPLICABLE MUST REMAIN WITHIN DIMENSIONS	APPR: KJKOH 2011/04/11	APPR: KJKOH 2011/04/11
▽ = 0	THIRD ANGLE PROJECTION	DRAWING	SERIES
		A3-SIZE	78353
	MATERIAL NUMBER	CUSTOMER	SHEET NUMBER
	SEE TABLE	GENERAL MARKET	2 OF 5

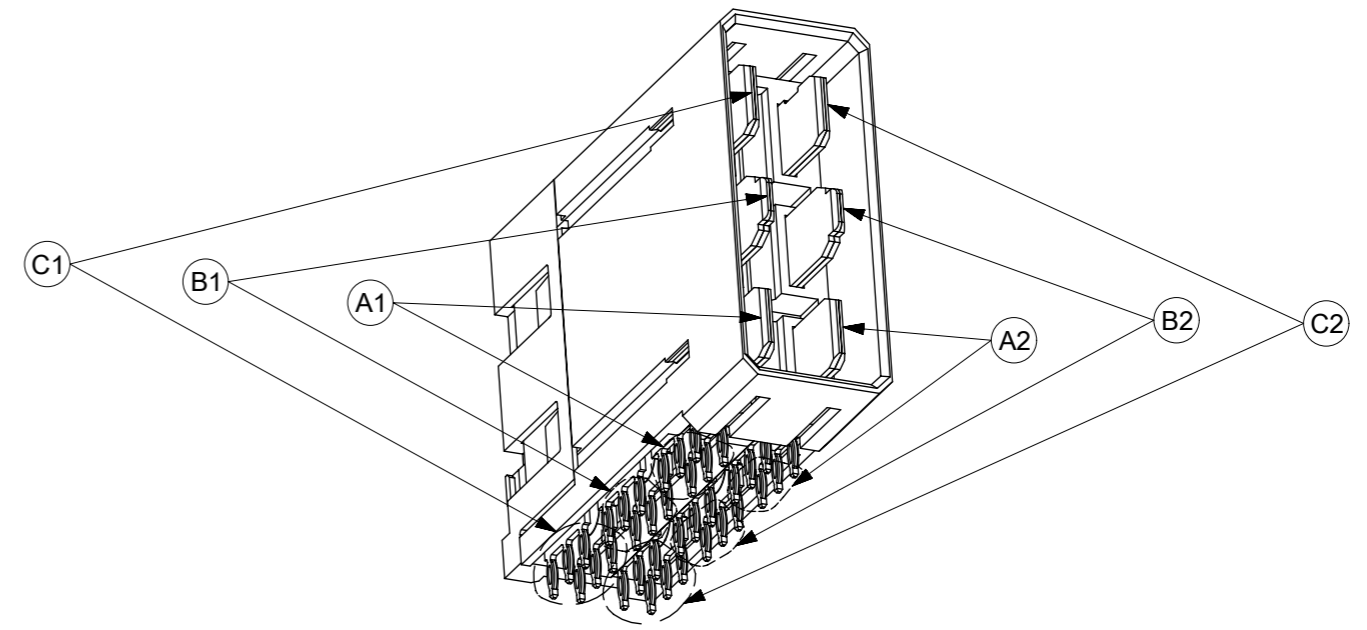
RIGHT HOLD DOWN OPTION



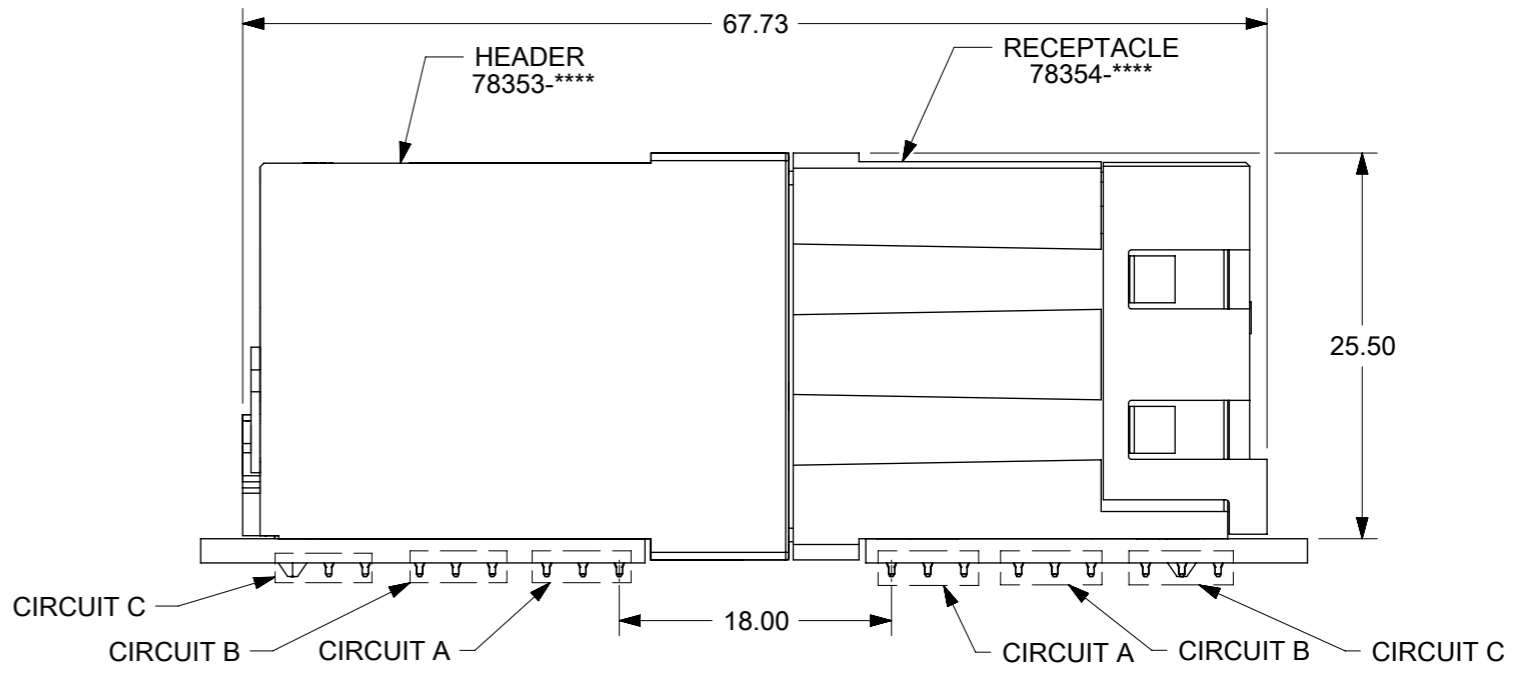
SYMBOLS		THIS DRAWING CONTAINS INFORMATION THAT IS PROPRIETARY TO MOLEX ELECTRONIC TECHNOLOGIES, LLC AND SHOULD NOT BE USED WITHOUT WRITTEN PERMISSION	
▽ = 0	DIMENSION UNITS	SCALE	CURRENT REV DESC: MIGRATION TO NX
▽ = 0	MM ONLY	NTS	
▽ = 0	GENERAL TOLERANCES (UNLESS SPECIFIED)		
▽ = 0	ANGULAR TOL	± 3.0°	
▽ = 0	4 PLACES	±	EC NO: 602221
▽ = 0	3 PLACES	±	DRWN: JSGOH01 2018/07/25
▽ = 0	2 PLACES	± 0.25	CHK'D: SHONG 2018/08/07
▽ = 0	1 PLACE	±	APPR: SHONG 2018/08/07
▽ = 0	0 PLACES	±	INITIAL REVISION:
▽ = 0	DRAFT WHERE APPLICABLE MUST REMAIN WITHIN DIMENSIONS		
▽ = 0	THIRD ANGLE PROJECTION	DRAWING	SERIES
		A3-SIZE	78353
DOCUMENT NUMBER		DOC TYPE	DOC PART
SD-78353-001		PSD	001
MATERIAL NUMBER		CUSTOMER	REVISION
SEE TABLE		GENERAL MARKET	B5
SHEET NUMBER		3 OF 5	



1 POWER MODULE REMOVED TO ILLUSTRATE CIRCUIT PATH OF MATED SYSTEM

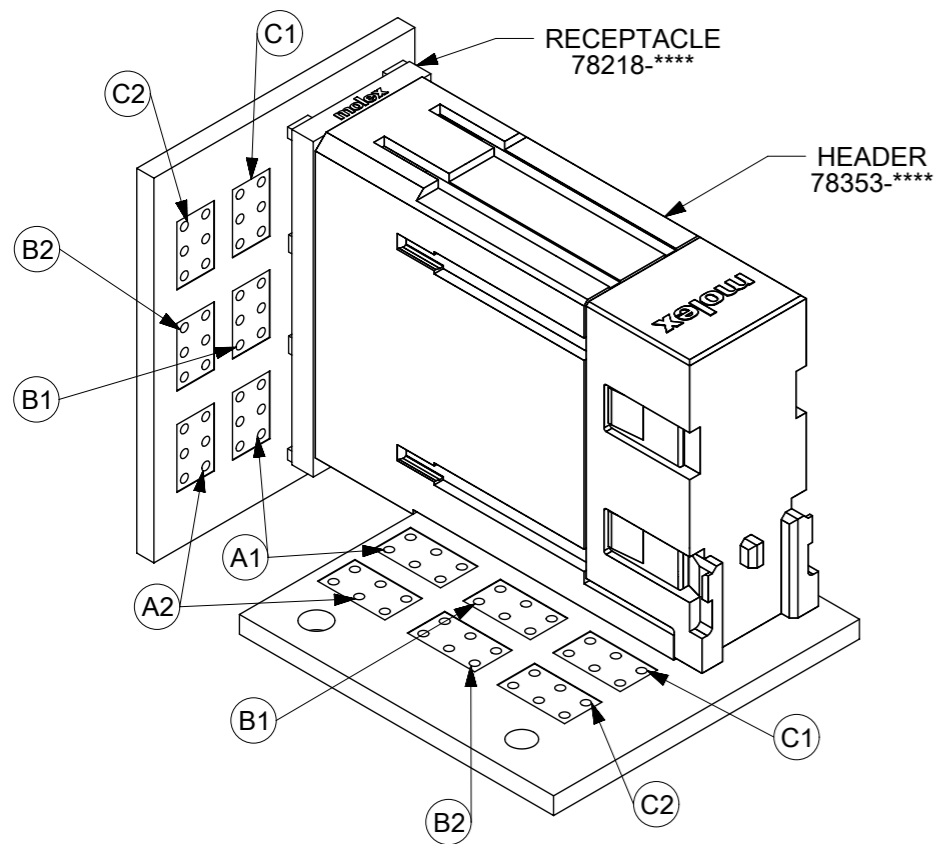


PIN NUMBER ASSIGNMENT BASED ON HEADER SIDE:
 A1, B1 ON THE LEFT
 A2, B2 ON THE RIGHT

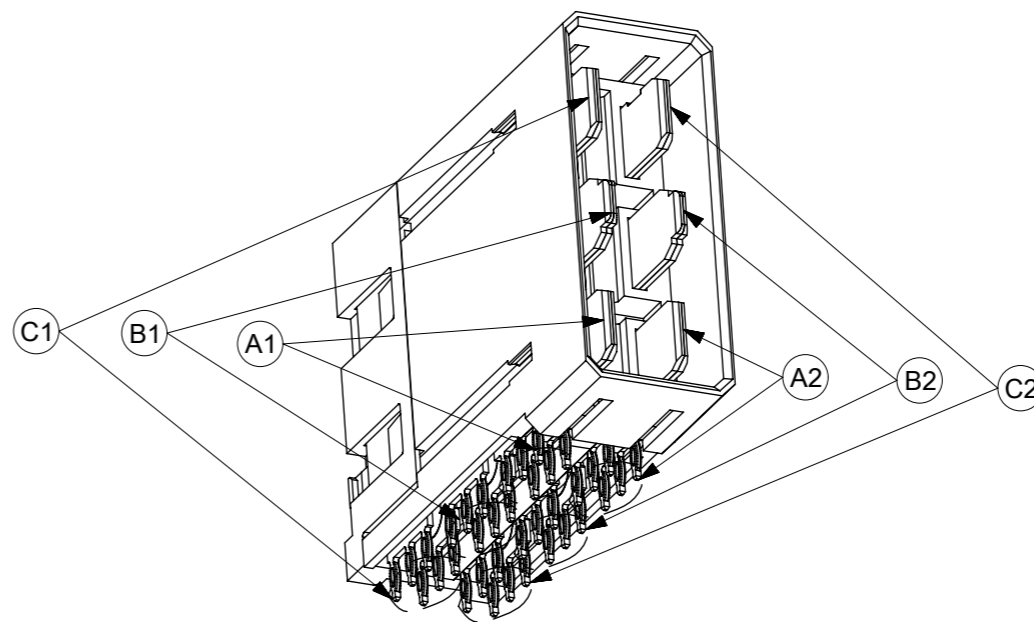


MATED SYSTEM OF 78353 & 78354

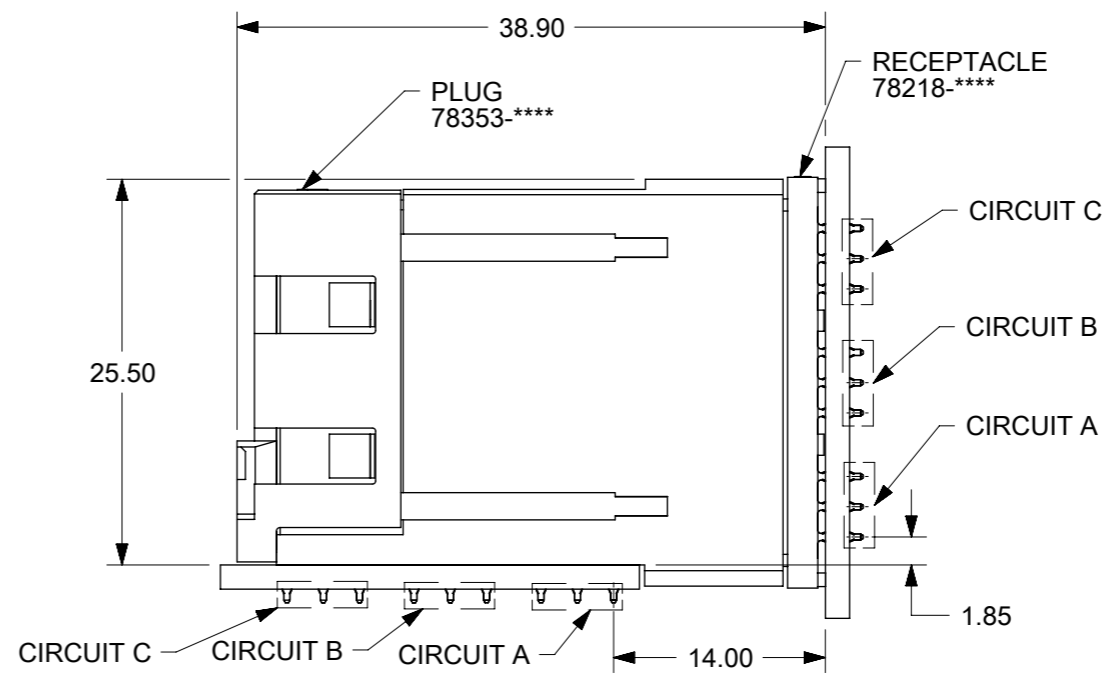
SYMBOLS DIMENSION UNITS: MM ONLY SCALE: NTS GENERAL TOLERANCES (UNLESS SPECIFIED): ANGULAR TOL: ± 3.0° 4 PLACES: ± 3 PLACES: ± 2 PLACES: ± 0.25 1 PLACE: ± 0 PLACES: ± DRAFT WHERE APPLICABLE MUST REMAIN WITHIN DIMENSIONS THIRD ANGLE PROJECTION DRAWING: A3-SIZE SERIES: 78353	THIS DRAWING CONTAINS INFORMATION THAT IS PROPRIETARY TO MOLEX ELECTRONIC TECHNOLOGIES, LLC AND SHOULD NOT BE USED WITHOUT WRITTEN PERMISSION CURRENT REV DESC: MIGRATION TO NX			
	EC NO: 602221 DRWN: JSGOH01 2018/07/25 CHK'D: SHONG 2018/08/07 APPR: SHONG 2018/08/07			
	INITIAL REVISION: DRWN: LNG 2010/12/02 APPR: KJKOH 2011/04/11		PRODUCT CUSTOMER DRAWING	
	DOCUMENT NUMBER: SD-78353-001 DOC TYPE: PSD DOC PART: 001 REVISION: B5		MATERIAL NUMBER: SEE TABLE CUSTOMER: GENERAL MARKET SHEET NUMBER: 4 OF 5	



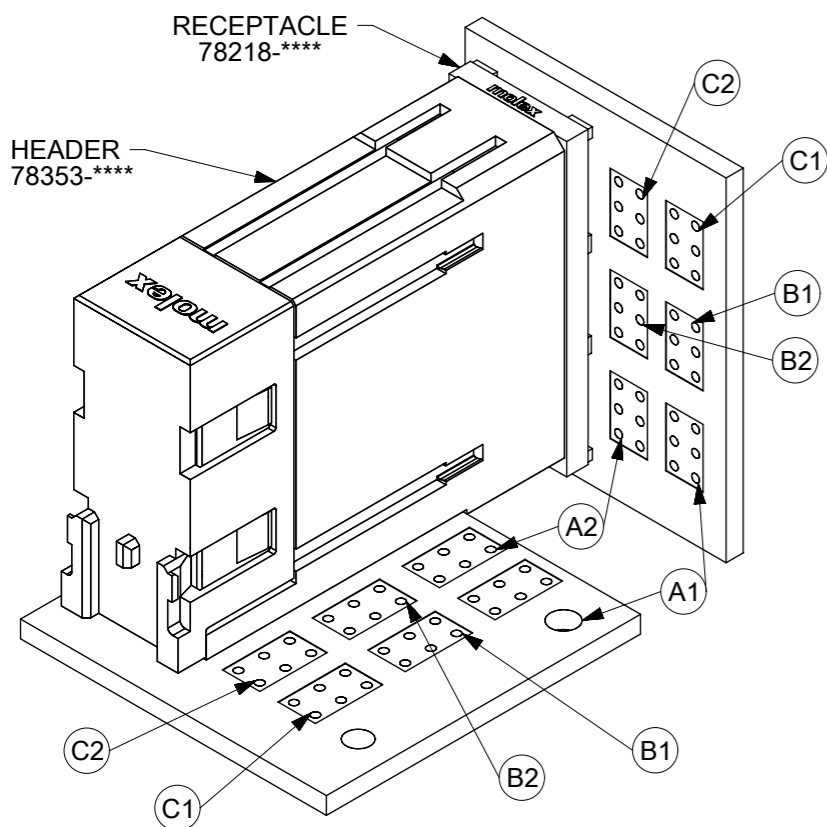
RIGHT HOLD DOWN:
1 POWER MODULE AND HOLD DOWN REMOVED TO
ILLUSTRATE CIRCUIT PATH OF MATED SYSTEM



PIN NUMBER ASSIGNMENT BASED ON HEADER SIDE:
A1, B1 ON THE LEFT
A2, B2 ON THE RIGHT



MATED SYSTEM OF 78218 & 78353



LEFT HOLD DOWN:
1 POWER MODULE AND HOLD DOWN REMOVED TO
ILLUSTRATE CIRCUIT PATH OF MATED SYSTEM

SYMBOLS		THIS DRAWING CONTAINS INFORMATION THAT IS PROPRIETARY TO MOLEX ELECTRONIC TECHNOLOGIES, LLC AND SHOULD NOT BE USED WITHOUT WRITTEN PERMISSION		CURRENT REV DESC: MIGRATION TO NX	
▽ = 0	DIMENSION UNITS	SCALE			
▽ = 0	MM ONLY	NTS			
▽ = 0	GENERAL TOLERANCES (UNLESS SPECIFIED)				
▽ = 0	ANGULAR TOL	± 3.0°			
▽ = 0	4 PLACES	±	EC NO: 602221		
▽ = 0	3 PLACES	±	DRWN: JSGOH01	2018/07/25	
▽ = 0	2 PLACES	± 0.25	CHK'D: SHONG	2018/08/07	
▽ = 0	1 PLACE	±	APPR: SHONG	2018/08/07	
▽ = 0	0 PLACES	±	INITIAL REVISION:		
▽ = 0	DRAFT WHERE APPLICABLE MUST REMAIN WITHIN DIMENSIONS		DRWN: LNG	2010/12/02	
▽ = 0			APPR: KJKOH	2011/04/11	
THIRD ANGLE PROJECTION		DRAWING	SERIES	MATERIAL NUMBER	CUSTOMER
A3-SIZE		78353	SEE TABLE	GENERAL MARKET	
DOCUMENT STATUS		P1	RELEASE DATE	2018/08/07	03:47:29
DOCUMENT NUMBER		DOC TYPE		DOC PART	REVISION
SD-78353-001		PSD		001	B5
SHEET NUMBER		5 OF 5			