

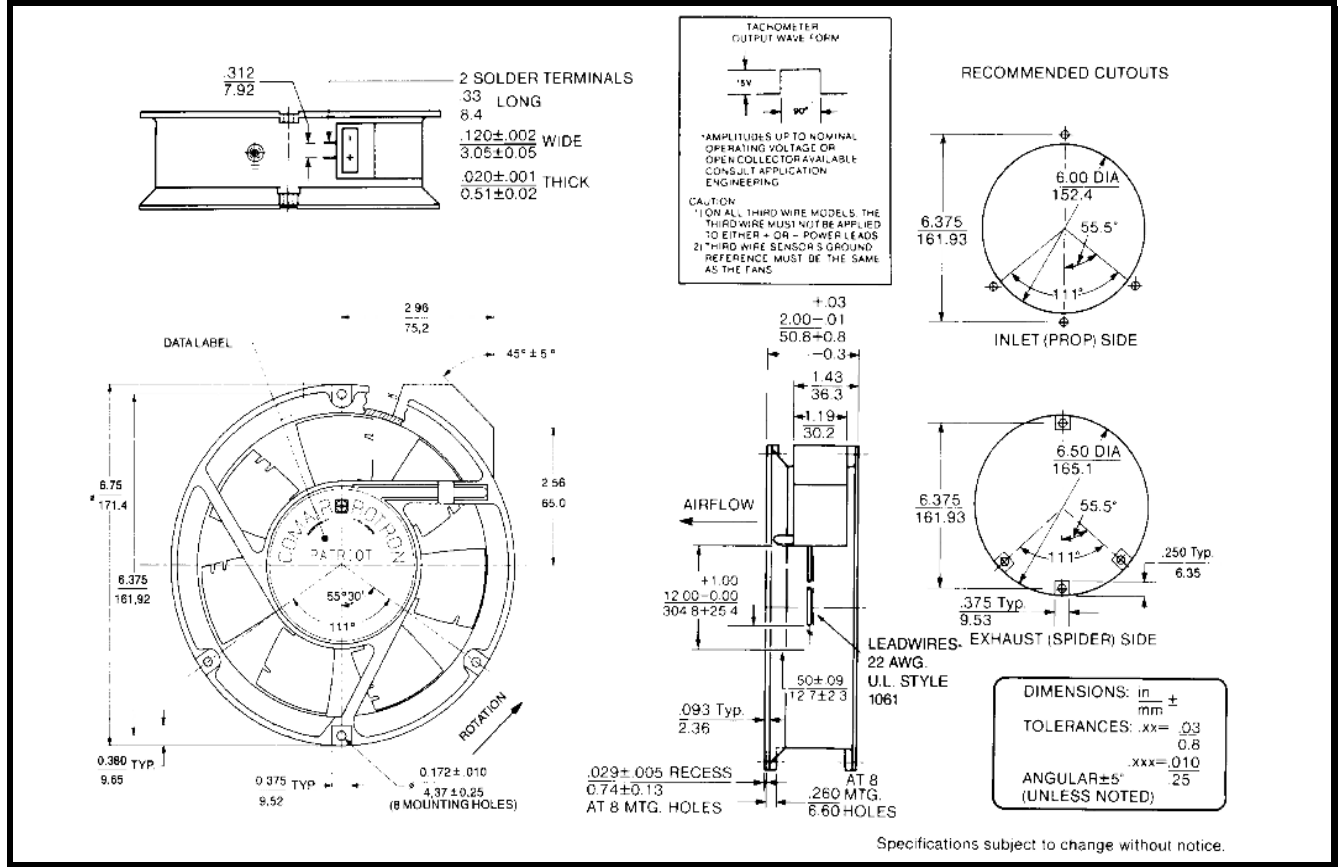
# SPECIFICATIONS



**Model Number:** PQ12B7  
**Part Number:** 17000339A

**Version:** 00  
**Jan. 13, 2016**

## Mechanical Drawing:



**Motor:**

Nominal Voltage	= 12 vdc
Operating Voltage Range	= 9 – 14 vdc
Nominal Running Current	= 2.260 amps
Locked Rotor Current	= 4.00 amps
Running Power	= 25.2 watts
Average Speed	= 3400 RPM
Bearings	= Ball
Air Flow	= 235 CFM
Acoustic	= 54.3 dBA

**Construction:**  
 Venturi: Single piece, die-cast aluminum, Black  
 Propeller: Plastic, Black, UL 94V-0

**Life Expectancy:**  
 This fan is designed for continuous duty life of 75,000 hours at 40°C.

**Agency Approvals:**  
 UL, CE

**Additional Features:**  
 Brushless DC Motor  
 Polarity Protected  
 Locked Rotor Protection  
 Automatic Restart Capability  
 Operating Temperature: -10°C to 70°C  
 Storage Temperature: -40°C to 85°C

**Tachometer:**

Output:	Open Collector
I <sub>c</sub> :	20mA Max.
V <sub>cc</sub> :	28vdc Max.
Isolated:	No
Pulses per Revolution:	2

**Termination:**  
 12" Lead wires, 22 AWG, UL 1061  
 Red = Fan Power (+)  
 Black = Fan Ground (-)  
 Blue/White = Tachometer (Output)