

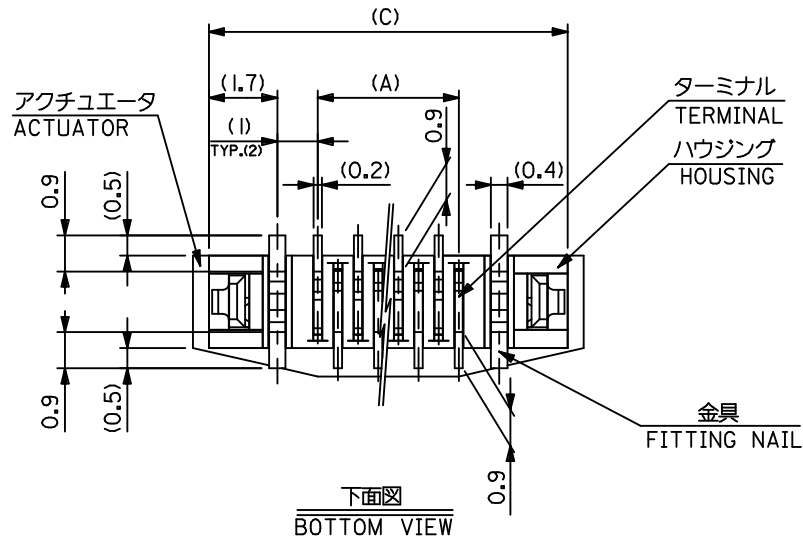
**注記 NOTES**

- 使用材料 : MATERIAL
  - ハウジング HOUSING : 46NYLON UL94V-0
  - アクチュエータ ACTUATOR : PPS UL94V-0
  - ターミナル TERMINAL : リン青銅、銅下地半田メッキ (t=0.2) PHOS-BRO.TIN-LEAD(9+1) 3~5 MICRON METER OVER COPPER 1~2.5 MICRON METER PLATED
  - 金具 FITTING NAIL : リン青銅、銅下地半田メッキ (t=0.4) PHOS-BRO.TIN-LEAD(9+1) 3~5 MICRON METER OVER COPPER 1~2.5 MICRON METER PLATED
- エンボステープ梱包時は、アクチュエータがロックした状態とする。  
IN THE PACKAGE, ACTUATOR OF PART NO.52559-\*\*17 SHOULD BE LOCKED.
- △ ソルダーテール半田付け面のズレ量、及び金具半田付け面のズレ量は、基準面 G に対し上方向 0.05 MAX.、下方向 0.15 MAX. とする。  
MISALIGNMENT OF SOLDER TAILS AND FITTING NAILS FROM G UPPER DIRECTION: 0.05 MAX., LOWER DIRECTION: 0.15 MAX.
- △ 偶数極に適用。  
APPLY FOR EVEN CIRCUIT.
- △ パターンはくり止め用金具。  
FITTING NAIL FOR PREVENTION OF PEELING OF P.C.B. PATTERN.
- △ R0.3は、FPCの導体部にかからないこと。  
R0.3 MUST NOT BE OVERLAPPED TO PATTERN OF FPC.

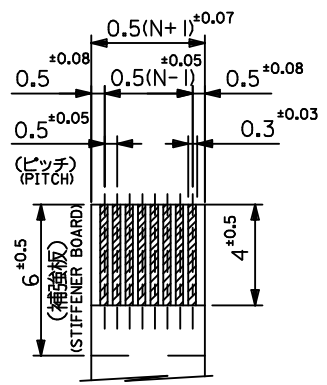
20.7	19.9	15.65	14.5	52559-3092	—	30
16.7	15.9	11.65	10.5	—	52559-2290	22
8.7	7.9	3.65	2.5	52559-0692	—	6

52559-**17				D	C	B	(A)	EMBSSED PACKAGE	極数 CKT.
CONNECTER SERIES NO.				オーダー番号 ORDER NO.					

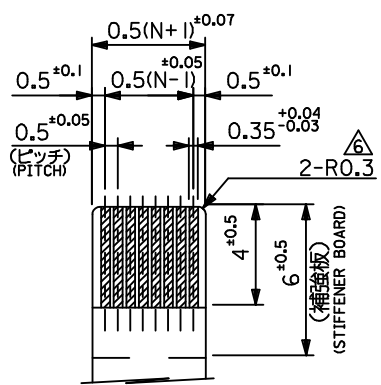
REVISED EC NO: J2016-0380 DRWN:NASANUMA 2015/10/16 CHKD:KAKAHASHI 2015/10/16 APPR:YNOGAWA 2015/11/09	GENERAL TOLERANCES (UNLESS SPECIFIED)		DIMENSION STYLE		SCALE	DESIGN UNITS		THIRD ANGLE PROJECTION	
			MM ONLY		---	METRIC		◎ □	
	0.25 UNDER	UNDER	±0.03	DRAWN BY	DATE	TITLE			
	0.25 OVER	0.5 UNDER	±0.05	KTOJO	2003/04/17	0.5 FPC CONN ZIF FOR SMT S/T SHEET 1 OF 2			
	0.5 OVER	1.0 UNDER	±0.1	CHECKED BY	DATE				
1.0 OVER	10 UNDER	±0.2	MSASAO	2003/04/17	<b>molex</b> SD-52559-044 SHEET NO. 1 OF 2				
10 OVER	30 UNDER	±0.25	APPROVED BY	DATE					
30 OVER		±0.3	MATERIAL NO.		DOCUMENT NO.				
ANGULAR	±3 °		SEE CHART						
DRAFT WHERE APPLICABLE MUST REMAIN WITHIN DIMENSIONS			SIZE	THIS DRAWING CONTAINS INFORMATION THAT IS PROPRIETARY TO MOLEX INCORPORATED AND SHOULD NOT BE USED WITHOUT WRITTEN PERMISSION					
			A3						



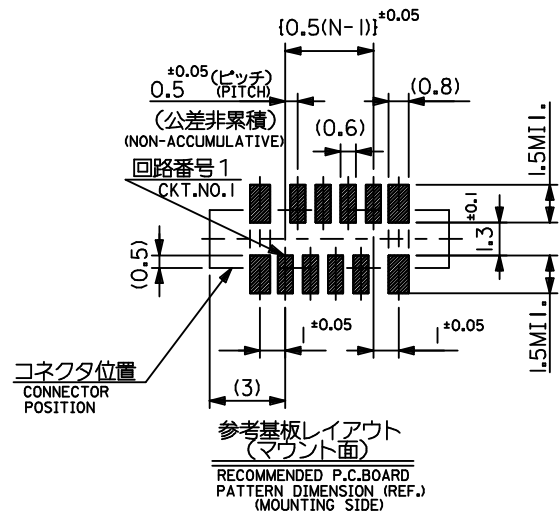
下面図  
BOTTOM VIEW



適合FFC推奨寸法  
APPLICABLE FFC  
RECOMMENDED DIMENSION.  
(仕上がり厚さ: 0.3±0.05)  
(THICKNESS: 0.3±0.05)



適合FPC推奨寸法  
APPLICABLE FPC  
RECOMMENDED DIMENSION.  
(仕上がり厚さ: 0.3±0.05)  
(THICKNESS: 0.3±0.05)



REVISED EC NO: J2016-0380 DRWN: SANUMA 2015/10/16 CHKD: TAKAHASHI 2015/10/16 APPR: YNOGAWA 2015/11/09 N	GENERAL TOLERANCES (UNLESS SPECIFIED)		DIMENSION STYLE MM ONLY		SCALE ---	DESIGN UNITS METRIC	THIRD ANGLE PROJECTION	
	0.25 UNDER	UNDER	±0.03	DRAWN BY KTOJO	DATE 2003/04/17	TITLE 0.5 FPC CONN ZIF FOR SMT S/T SHEET 2 OF 2		
	0.25 OVER	0.5 UNDER	±0.05	CHECKED BY MSASAO	DATE 2003/04/17	<b>molex</b> DOCUMENT NO. SD-52559-044 SHEET NO. 2 OF 2		
	0.5 OVER	1.0 UNDER	±0.1	APPROVED BY	DATE			
	1.0 OVER	10 UNDER	±0.2	MATERIAL NO. SEE SHEET 1				
10 OVER	30 UNDER	±0.25	SIZE A3		THIS DRAWING CONTAINS INFORMATION THAT IS PROPRIETARY TO MOLEX INCORPORATED AND SHOULD NOT BE USED WITHOUT WRITTEN PERMISSION			
	ANGULAR	±---°	DRAFT WHERE APPLICABLE MUST REMAIN WITHIN DIMENSIONS					