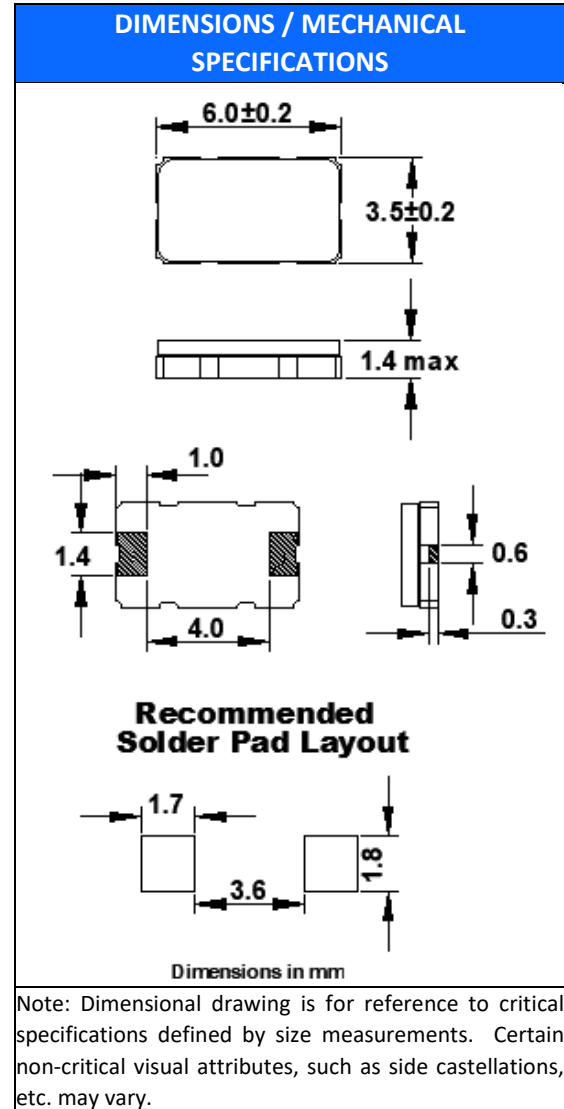


Features

- Tolerances down to ± 20 PPM
- Stabilities down to ± 20 PPM
- Temperature Ranges to -40°C to $+85^{\circ}\text{C}$

| STANDARD SPECIFICATIONS | |
|--|---|
| PARAMETERS | MAX (Unless otherwise noted) |
| Frequency Range | 8.000 ~ 67.000 MHz |
| Frequency Tolerance @ 25°C | (See options below) |
| Frequency Stability, ref 25°C | (See options below) |
| Temperature Range | |
| Operating (T_{OPR}) | (See options below) |
| Storage (T_{STG}) | -40°C ~ $+85^{\circ}\text{C}$ |
| Shunt Capacitance (C_0) | 5 pF |
| Load Capacitance (C_L) | (See options below) |
| Drive Level | 100 μ W |
| Aging per year (@ 25°C) | ± 5.0 PPM |
| Maximum Soldering Temp / Time | 260°C / 10 Seconds x 2 |
| Moisture Sensitivity Level (MSL) per J-STD-033 | 1 |
| Termination Finish | Au over Ni |
| Seal Method | Resin |
| Lead (Pb) Free | Yes |
| RoHS Compliant | Yes |

| Frequency Range (MHz) | Operating Mode | Max ESR Ω |
|-----------------------|--------------------|------------------|
| 8.000 ~ 8.999999 | Fundamental | 150 |
| 9.000 ~ 9.999999 | Fundamental | 80 |
| 10.000 ~ 16.000 | Fundamental | 60 |
| 16+ ~ 50.000 | Fundamental | 40 |
| 40.000 ~ 67.000 | 3 RD OT | 70 |



| AVAILABLE OPERATING TEMPERATURES AND STABILITIES* | | | | |
|---|--------------|--------------|--------------|--------------|
| Operating Temperature | ± 20 PPM | ± 25 PPM | ± 30 PPM | ± 50 PPM |
| 0°C ~ $+70^{\circ}\text{C}$ | O | O | O | O |
| -10°C ~ $+70^{\circ}\text{C}$ | O | O | O | O |
| -20°C ~ $+70^{\circ}\text{C}$ | O | O | O | O |
| -30°C ~ $+85^{\circ}\text{C}$ | X | X | O | O |
| 40°C ~ $+85^{\circ}\text{C}$ | X | X | O | O |

Key: O = Available, X = Not Available

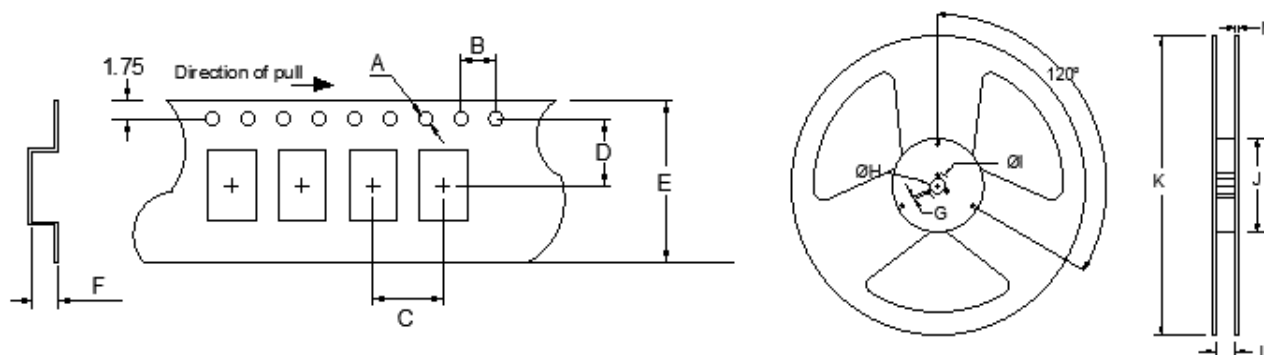
FC6AS

(Former FQA)

6.0mm x 3.5mm
Ceramic SMD Crystal



| TAPE SPECIFICATIONS (mm) | | | | | | | REEL SPECIFICATIONS (mm) | | | | | | |
|--------------------------|-----|-----|-----|------|-----|----------------------------|--------------------------|-----|-----|-----|------|------|-----|
| A | B | C | D | E | F | REEL QTY | G | H | I | J | K | L | M |
| ø1.5 | 4.0 | 8.0 | 5.5 | 12.0 | 1.9 | -T1 = 1,000 -T2 = 2,000 | 2.0 | ø13 | ø21 | ø80 | ø250 | 13.5 | 2.0 |



Available Options & Part Identification for Crystal Model C6AS¹

Sample PN: FC6ASBBME12.0-T1

| F | C6AS | B | B | M | E | 12.0 | -T1 |
|------------|---------------------|--|--|---|---|------------------------|---|
| Fox | Model Number | Tolerance B = ±50 PPM C = ±30 PPM D = ±25 PPM E = ±20 PPM | Stability A = ±100 PPM B = ±50 PPM C = ±30 PPM D = ±25 PPM E = ±20 PPM | Load Capacitance² B = 10pF G = 12pF U = 13pF K = 16pF L = 18pF M = 20pF | Operating Temperature C = 0 ~ +70°C E = -10 ~ +70°C F = -20 ~ +70°C K = -30 ~ +85°C M = -40 ~ +85°C | Frequency (MHz) | Values Added Options Blank = Bulk T1 = 1,000 pcs T2 = 2,000 pcs |

1 Not all frequency, tolerance, stability, load, and operating temperature combinations may be available.

2 Listed load capacitances represent the most commonly used. Other load capacitances are available. Contact us for assistance

Reliability Test Conditions

Please contact Abracon Quality Assurance department