



MP347A POWER PACK

POWER PACKS AND RELAYS

FEATURES

- Self-contained transformer and relay
- 347VAC, 60Hz
- Regulated 24 VDC current; 100 mA output
- Easily mounts inside or outside a junction box
- Companion auxiliary relay device available
- UL and cUL listed



RELATED PRODUCTS

[Universal Voltage Power Packs](#)

[Heavy Duty Universal Power Packs](#)

[LightOWL](#)

[OMNI](#)

SPECIFICATIONS

CONSTRUCTION

- High-impact UL 94-5V plastic
- 3.69" H x 2.33" W x 1.36" D (93.73mm H x 59.18mm W x 34.54mm D)
- 15 oz. (425.24 g)
- Black

INSTALLATION

- Complies with requirements for use in a plenum area
- Plenum rated for external junction box mounting

ELECTRICAL

- 347VAC @ 60Hz
- 24VDC; 100 mA nominal, full-wave rectified, and filtered
- 15A: 347VAC incandescent
- 15A: 347VAC ballast

OPERATION

- Indoor use only
- Operating temperature: 32°F to 104°F (0° to 40°C)
- Relative humidity (non-condensing): 0% to 95%

CERTIFICATIONS

- UL and cUL listed

WARRANTY

- 5 year warranty
- See [HLI Standard Warranty](#) for additional information

ORDERING GUIDE

Example: MP347A

CATALOG #

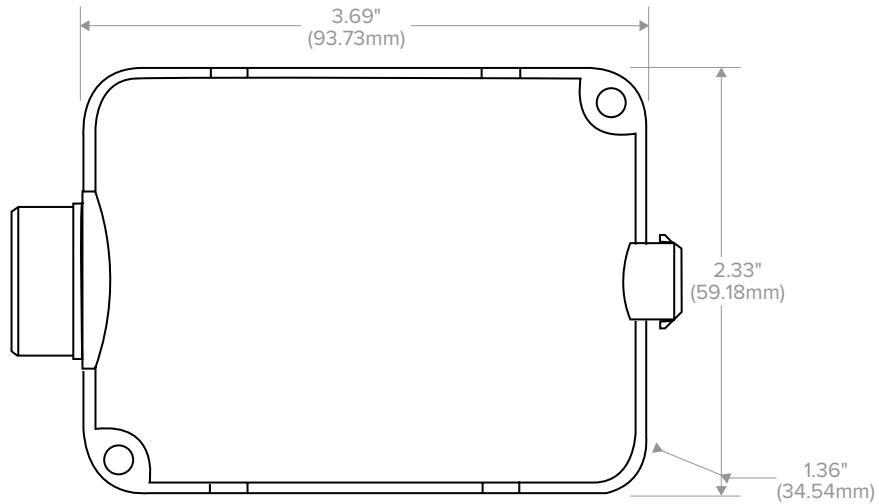
Model

MP347A 347VAC Power Pack

MP347A POWER PACK

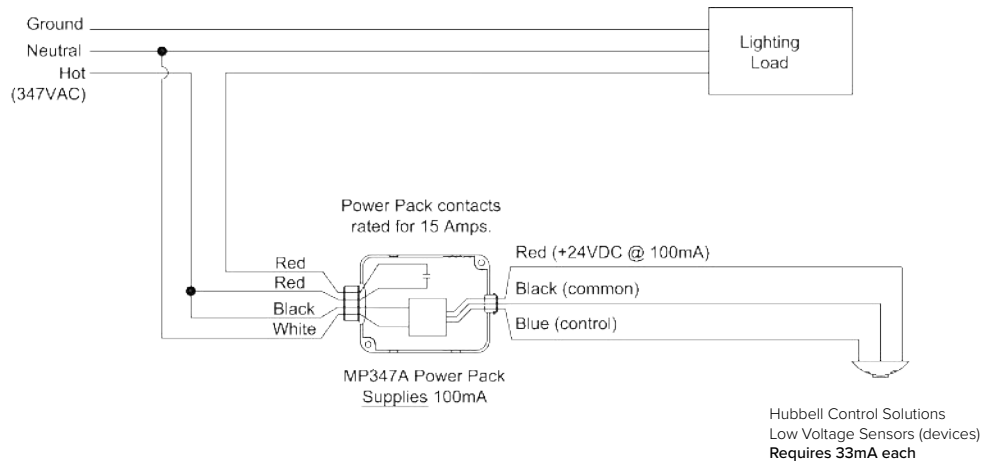
POWER PACKS AND RELAYS

DIMENSIONS



ADDITIONAL INFORMATION

Wiring Diagrams



Notes:

1. DO NOT attempt to power more than 3 devices, be from a single power pack
2. The recommended low voltage wire is 18-22AWG