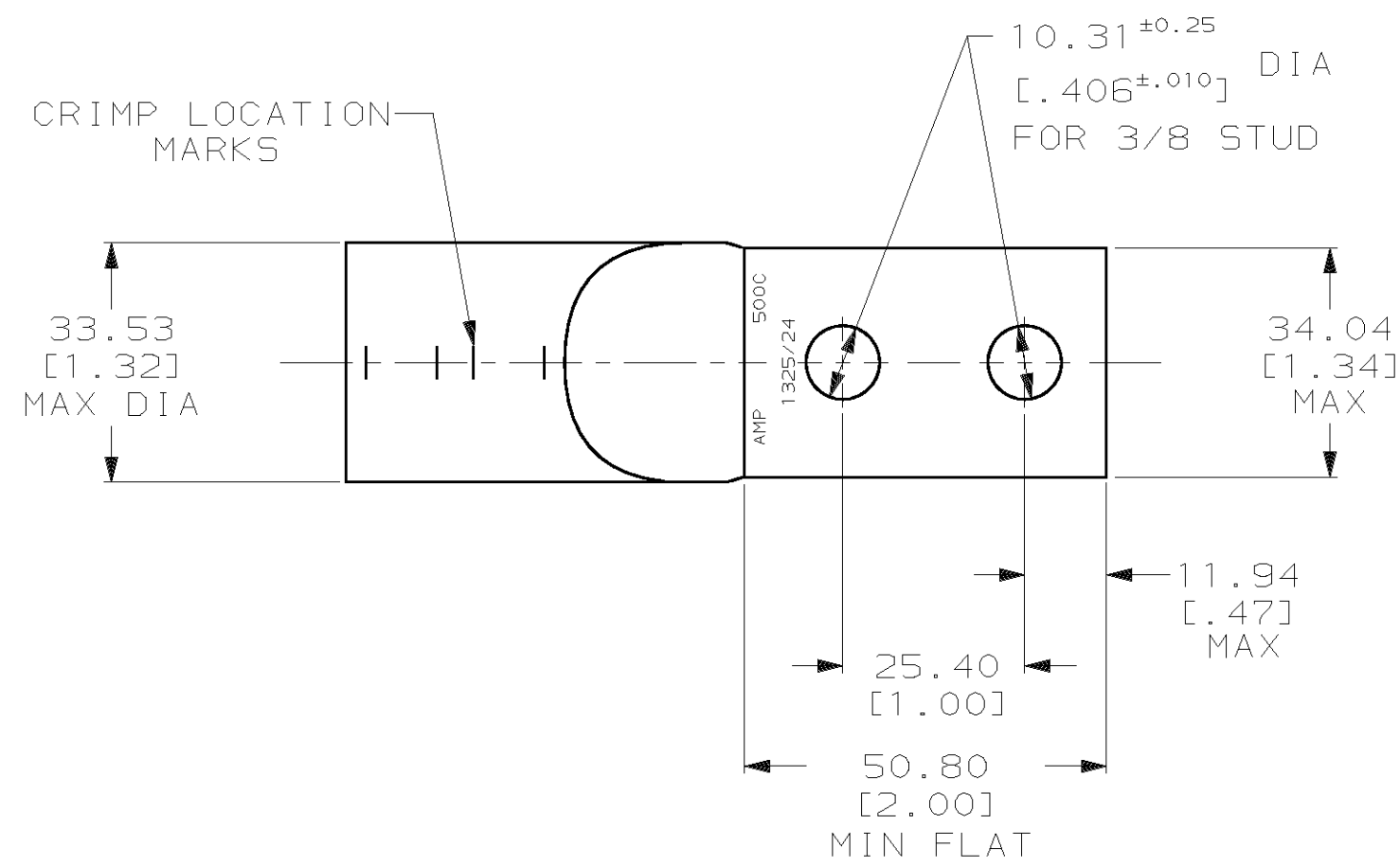
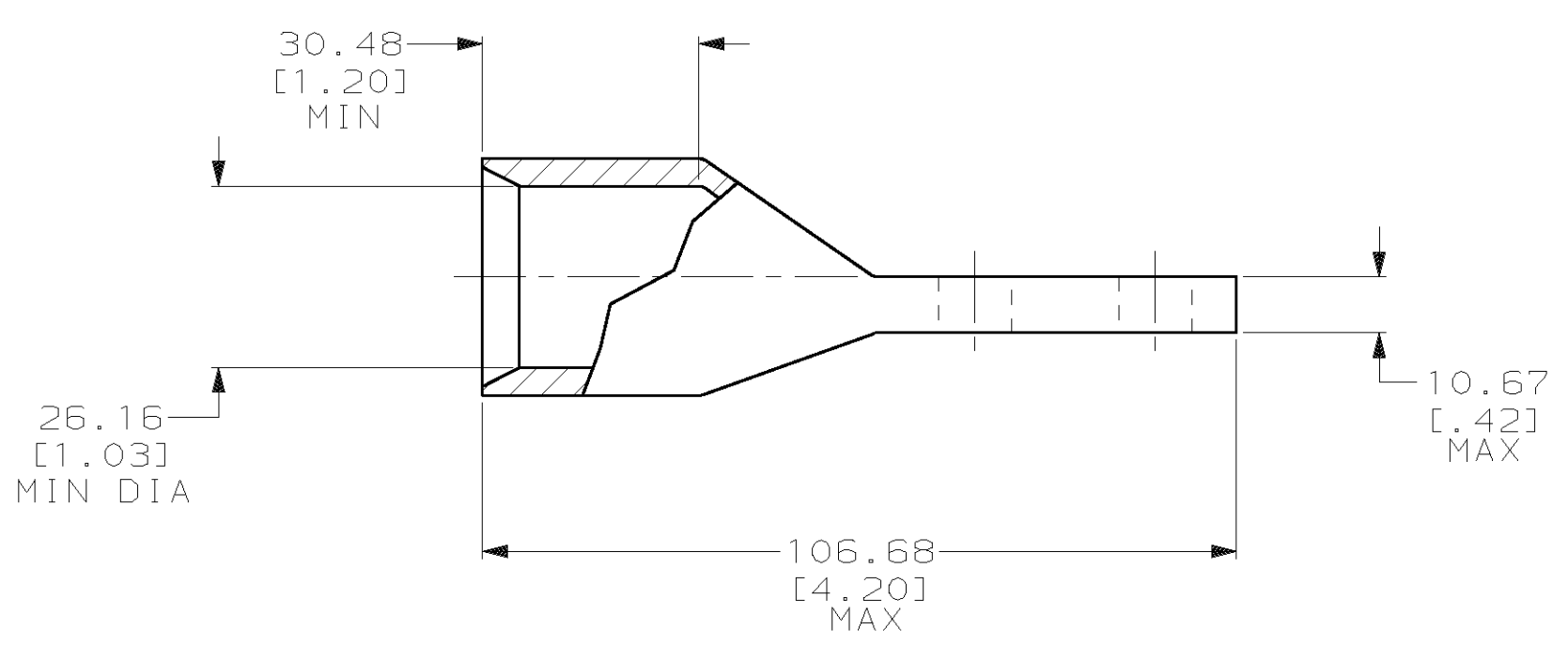


THIS DRAWING IS UNPUBLISHED. RELEASED FOR PUBLICATION ,19 .  
 © COPYRIGHT 19 BY AMP INCORPORATED. ALL INTERNATIONAL RIGHTS RESERVED.

LOC		DIST		P		F		ZONE		LTR		REVISIONS		DATE	APPD	
G		86											D	REV PER 063A-0561-01	030CT02	JR MS



- 1 TIN PL 0.00381 [.000150] MIN THK PER ASTM B-545
- 2 CRIMP DIES: USE P/N 46756-2 (600 MCM)



**METRIC**

DO NOT SCALE PRINT. UNLESS SPECIFIED DIMENSIONS IN mm [INCHES] TOLERANCES ON : 2 PLC DEC ± 0.51 [.020] 3 PLC DEC ± - ANGLES ± -		DR 2/6/92 DK SCHRUM	AMP Incorporated Harrisburg, PA 17105-3608		
MATERIAL COPPER PER ASTM B-75 ANNEALED		CHK 2/7/92 AJ KAUFMAN			
FINISH		APPD 2/7/92 WJ VOCKROTH	NAME TERMINAL, CENTER LINE TONGUE, AMPPOWER™ WIRE SIZE: 500 HD MCM		
		APPD 2/7/92 CR RHOADS	SIZE C	CAGE CODE 00779	DRAWING NO 55831
WEIGHT 279 GRAMS		APPLICATION SPEC -	SCALE 1:1	SHEET 1 OF 1	

55831-2

PART NO