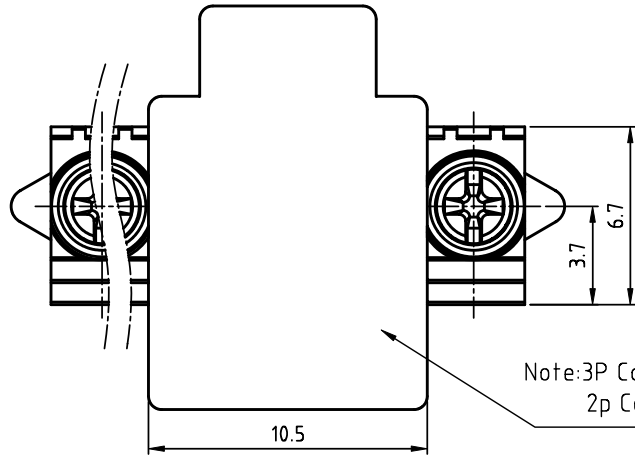
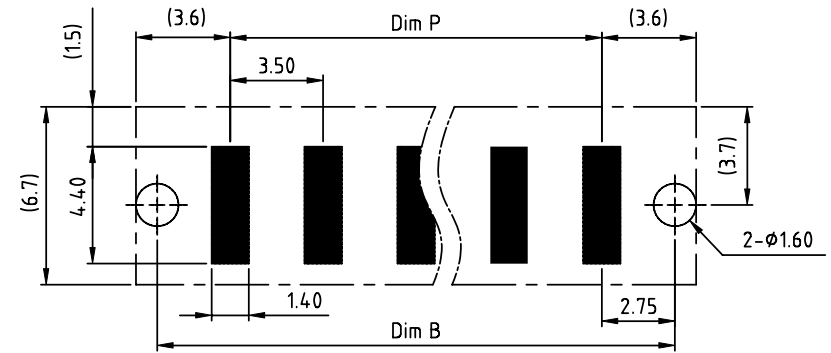


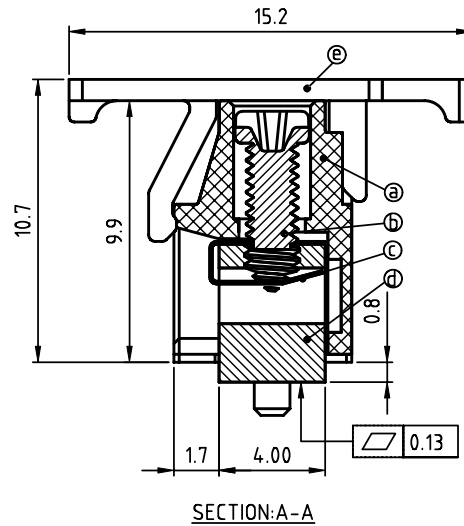
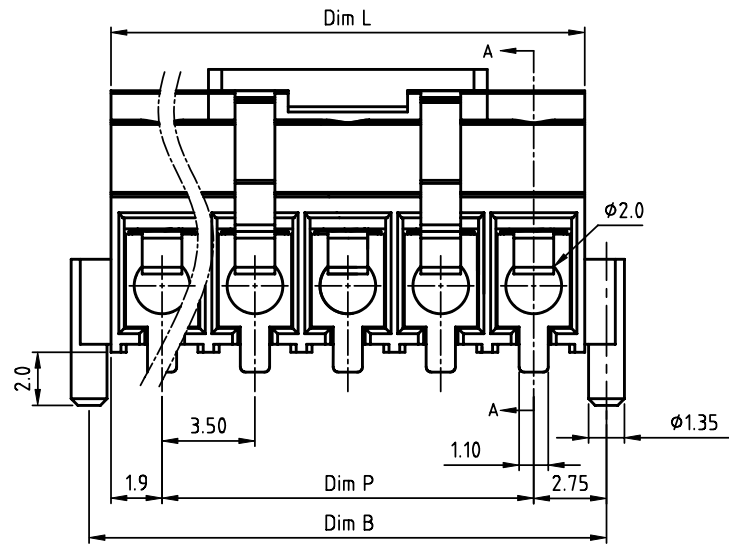
PRODUCT NUMBER	PITCH
ECxx10x1B0J0G	3.50 mm



Note: 3P Cover for odd poles
2p Cover for even poles



RECOMMENDED P.C.B. LAYOUT
TOP VIEW



Materials:

- Item ① Terminal body: High temp. polyamide (UL94V-0)
- Item ② Terminal screw: Steel Zinc plating "+/-" slot type
- Item ③ Wire guard: Stainless steel
- Item ④ Terminal: Brass (CuZn) Tin Plated
- Item ⑤ Terminal Cover: High temp. polyamide (UL94V-0)

Electrical UL

- Voltage rating: 150VAC
- Current rating: 10A
- Wire range:
 - Solid wire (AWG): 16-26
 - Stranded wire (AWG): 16-26
- Torque (Lb-In): 2.0
- Screw: M2.0
- Wire strip length: 5-6mm
- Withstanding Voltage: 1.6KV
- Operating temperature: -40°C to +115°C
- Reflow Soldering temperature: 260°C/10Sec max
- Safety Approval:

N=Number of poles
Dim L=Nx3.5+0.35
Dim P=(N-1)x3.5
Dim B=(N-1)x3.5+5.5

Poles	Dim	Dim L	Dim P	Dim B
2-6p		±0.25	±0.20	±0.20
7-12p		±0.30	±0.25	±0.25
13-16p		±0.35	±0.30	±0.30

PART NO.: EC xx 10 x 1 B0J0 G

Solid block 02 2 POLES 0
Body Color Black (RAL9005)
RoHS compliant (lead<4%)
In copper Alloy

mat'l. code		surface ASME Y14.5	tolerance ASME Y14.5	projection	product family
ltr ecn no dr date		tolerances unless otherwise specified		MM	TERMINAL BLOCK
		angles	X.±0.5	scale	title
		Ø	X.X±0.3		TERMINAL BLOCK
		X°±1'	X.XX±0.1		WIRE PROTECTOR, WITH PILLAR, SMT TYPE, 180D WIRE INLET
		dr	EVIN ZHONG 040314	FCI	dwg no
		enr	EVIN ZHONG 040314		sheet 1 of 1
		chr	HANKE FENG 040314		size
		appd	SHI JUN 040314		A4
sheet index	revision sheet	A			type
		1			CUSTOMER Drawing