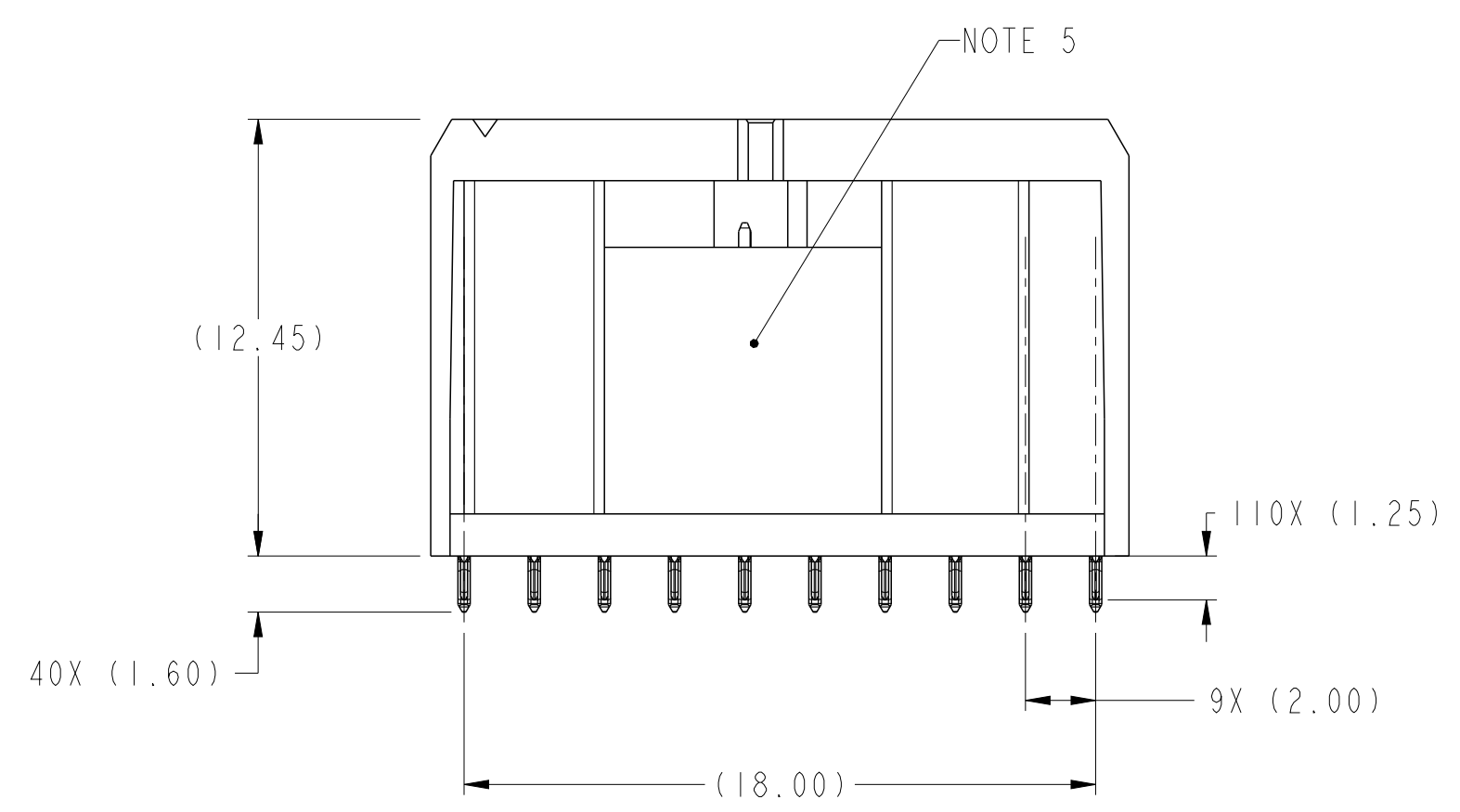
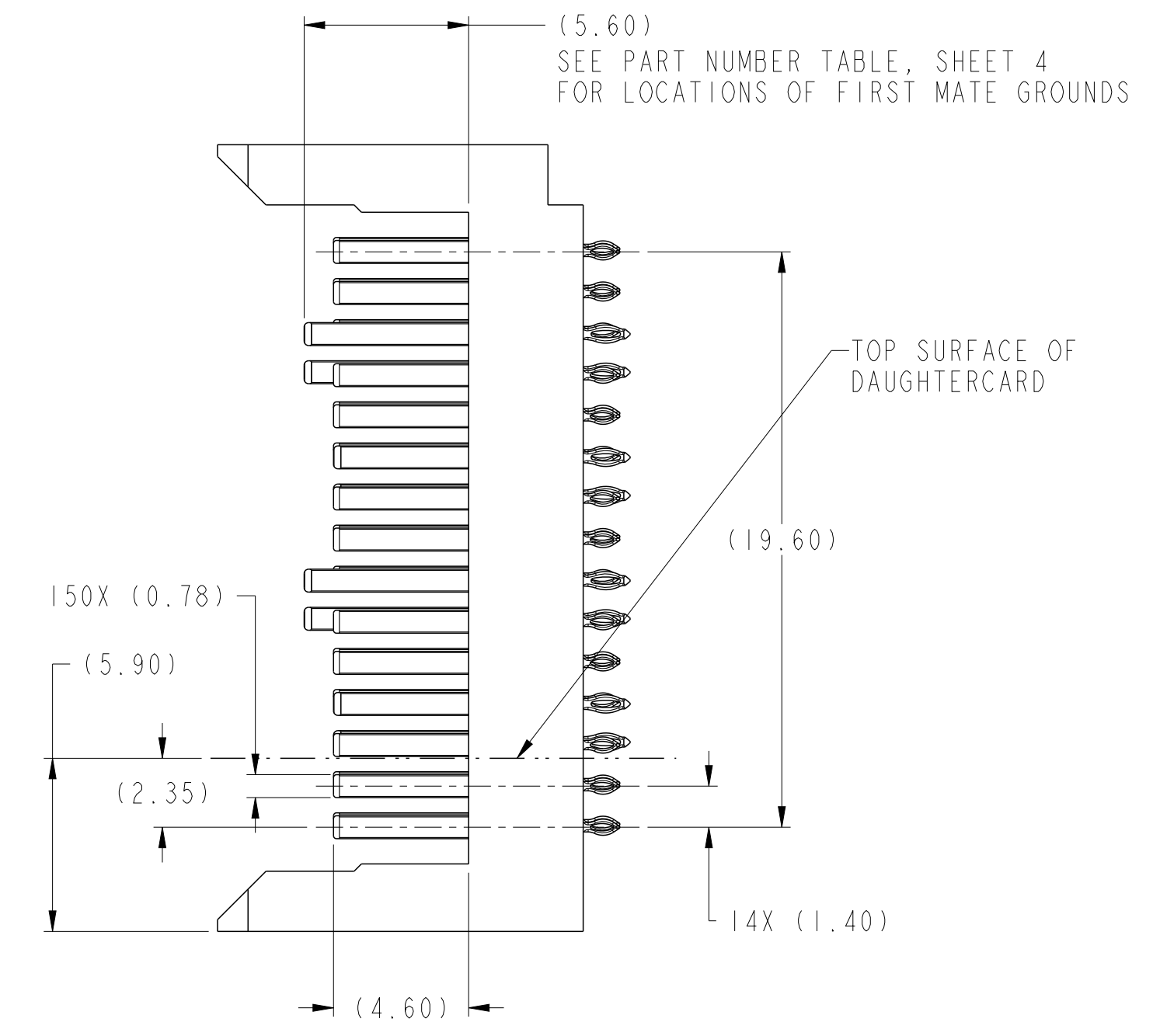
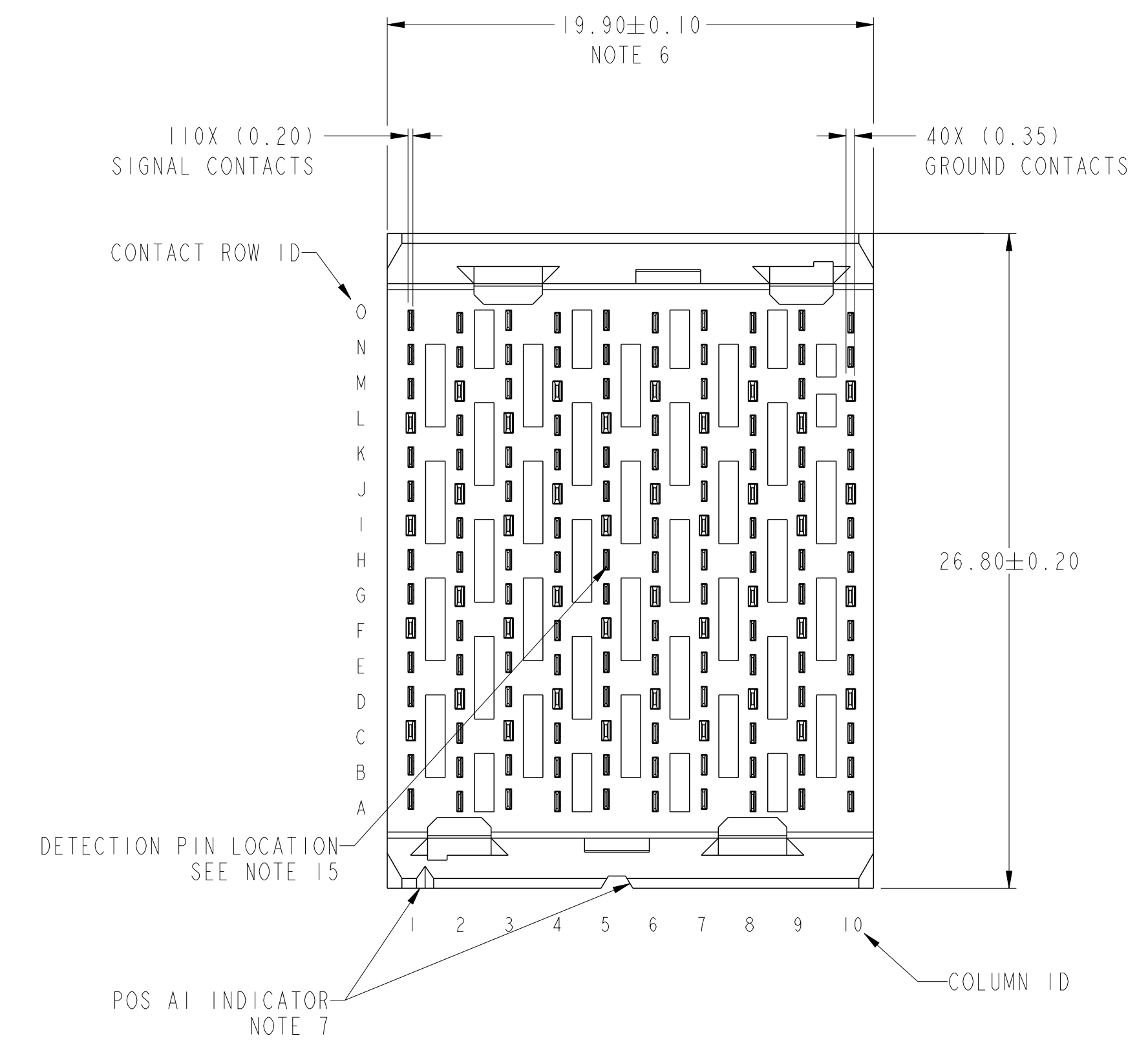


Product number
SEE TABLE, SHT 4

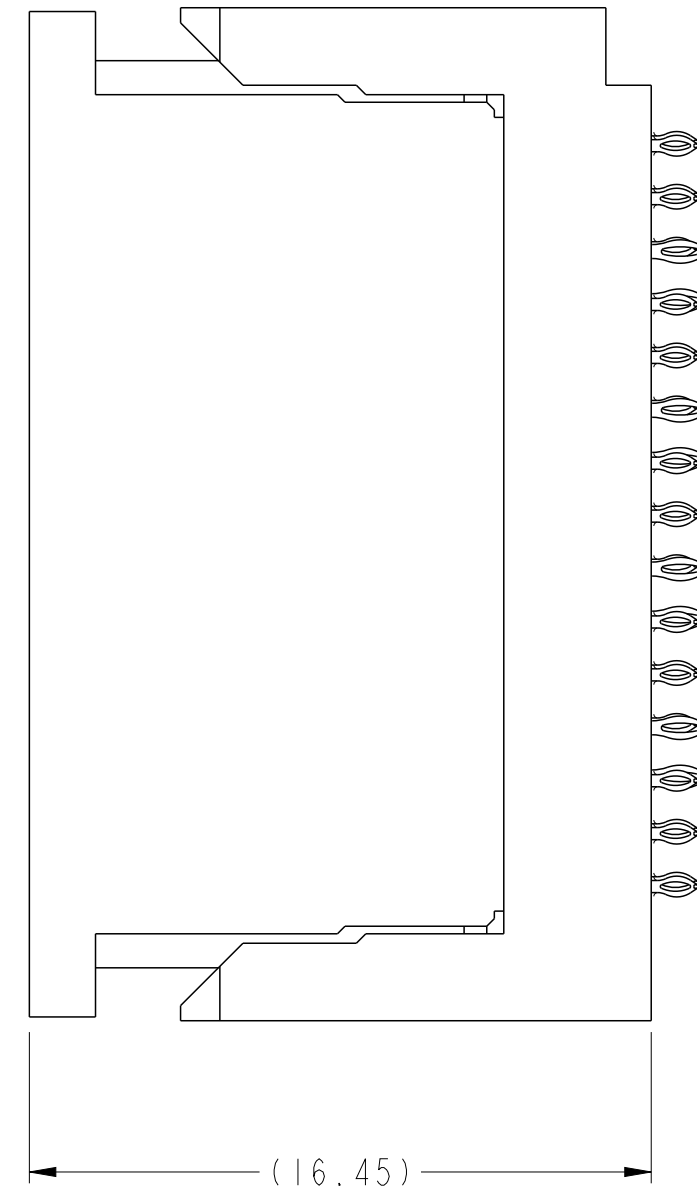
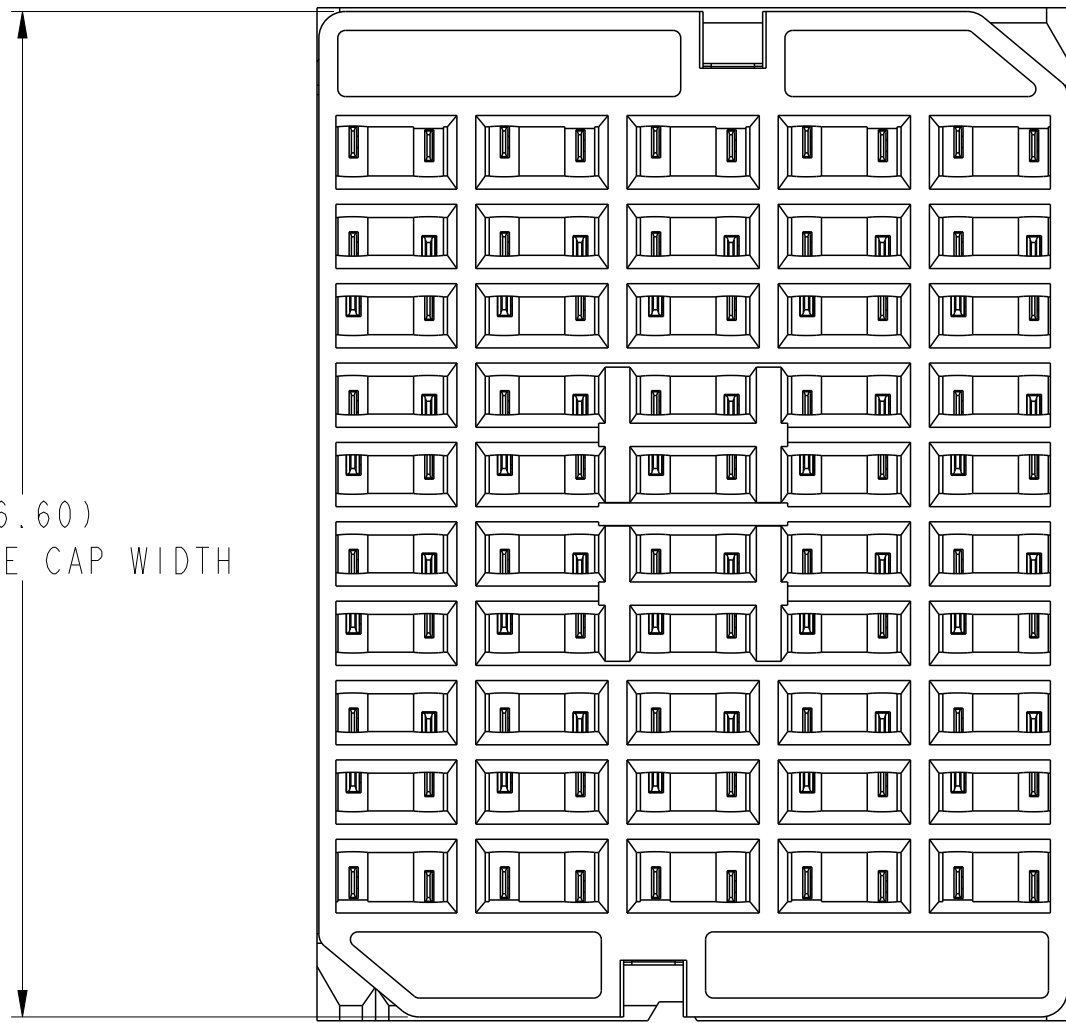


spec ref	-	dr	Sandar Soe	2012/11/15	projection	MM	size	A2	scale	5:1	
tolerance std	ASME Y14.5	eng	Terry Luo	2020/09/07			ecn no	ELX-DG-38252-1			
		chr	-	appr			Heaven Cen	2020/09/17	product family	AIRMAX VS	rel level
surface	-	linear	0.X	±0.3		AIRMAX VSE VERTICAL HEADER 5 PAIR 150 POS 2MM 10 COL SMALL PRESS FIT,GXT+	div no	10123360	rev	D	
		angular	0°	±2°			cat. no.	-	Product - Customer Drw	sheet 1 of 4	

Amphenol FCI

© 2016 AFCI

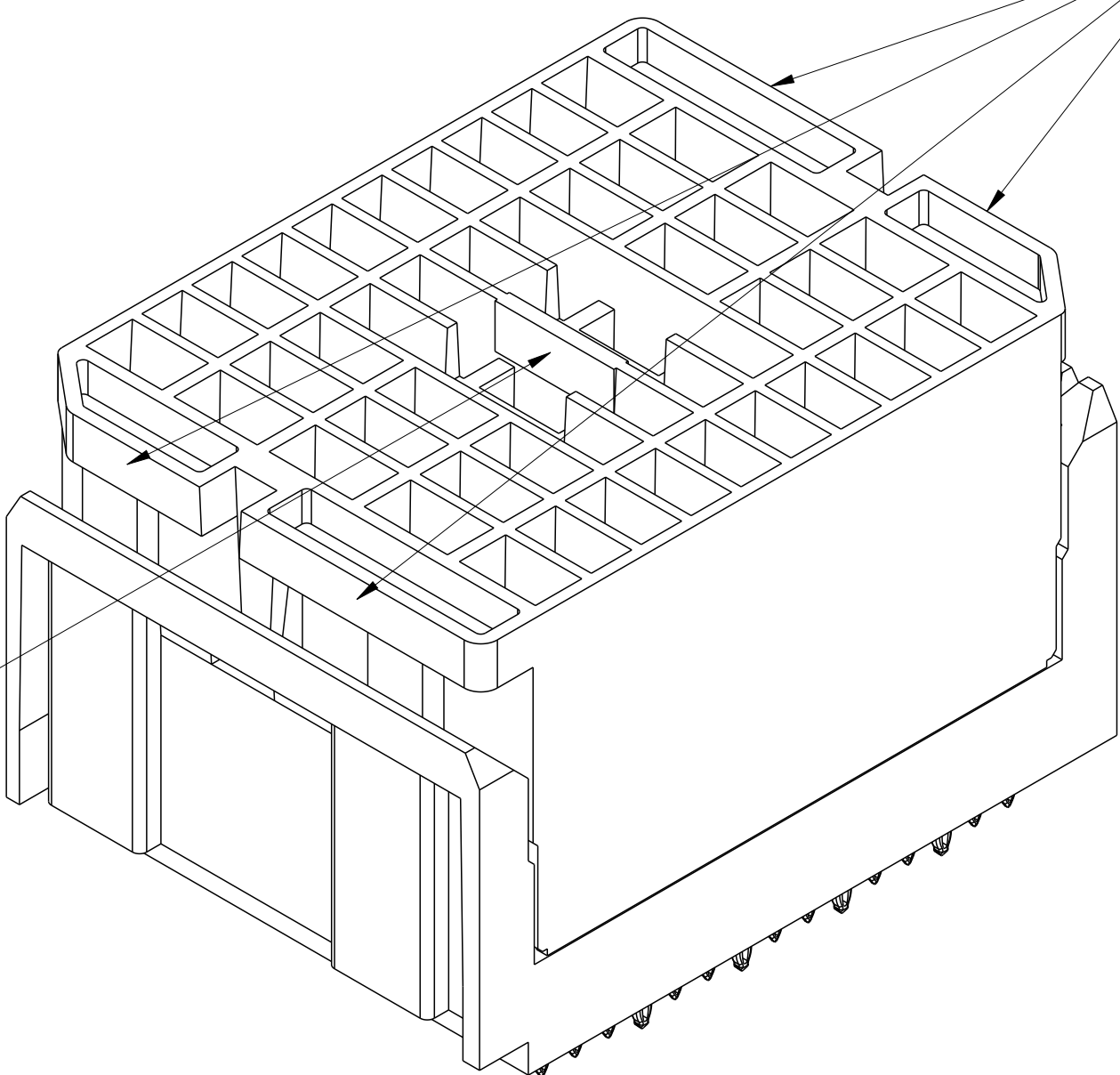
(26.60)
PROTECTIVE CAP WIDTH



VIEWS SHOWN WITH
PROTECTIVE COVER INSTALLED
10123360-101LF & 111LF

NOTE 12

NOTE 13



spec ref	-	dr	Sandar Soe	2012/1/15	projection	MM	size	A2	scale	5:1
tolerance std	ASME Y14.5	eng	Terry Luo	2020/09/07			ecn no	ELX-DG-38252-1	rel level	Released
		chr	-	product family			AIRMAX VS			
		appr	Heaven Cen	2020/09/17						
surface	-	linear	0.X	±0.3		AIRMAX VSE VERTICAL HEADER 5 PAIR 150 POS 2MM 10 COL SMALL PRESS FIT,GXT+	divg no	10123360	rev	D
			0.XX	±0.10			cat. no.	-	Product - Customer Drw	sheet 2 of 4
		angular	0°	±2°						

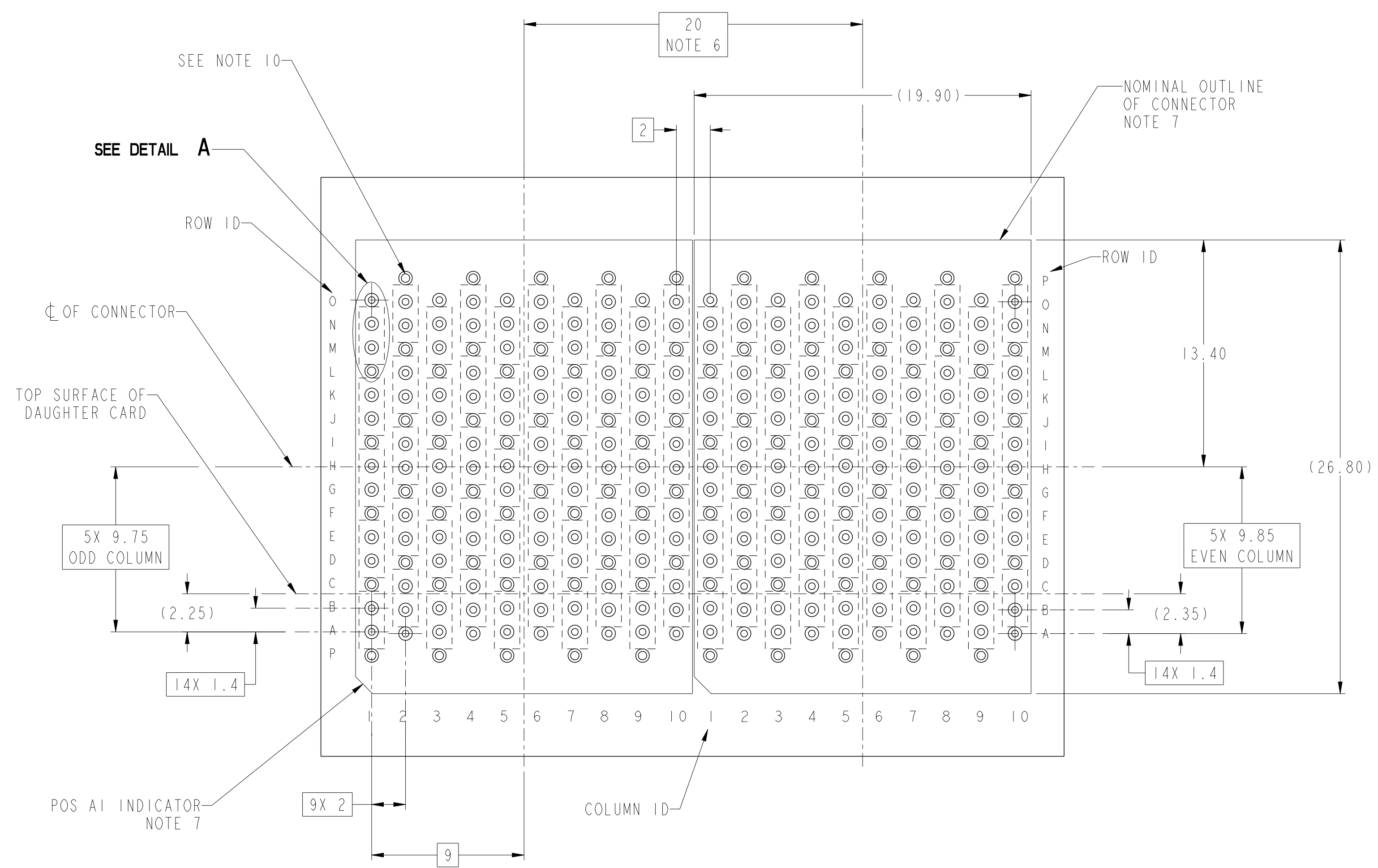
PDS: Rev :D

STATUS:Released

Printed: Sep 18, 2020

Amphenol
FCi

© 2016 AFCI



RECOMMENDED PCB LAYOUT
FOR DIFFERENTIAL APPLICATIONS,
COMPONENT SIDE
(TWO ADJACENT FOOTPRINTS SHOWN)
NOTES 6, AND 8

Amphenol
FCi

© 2016 AFci

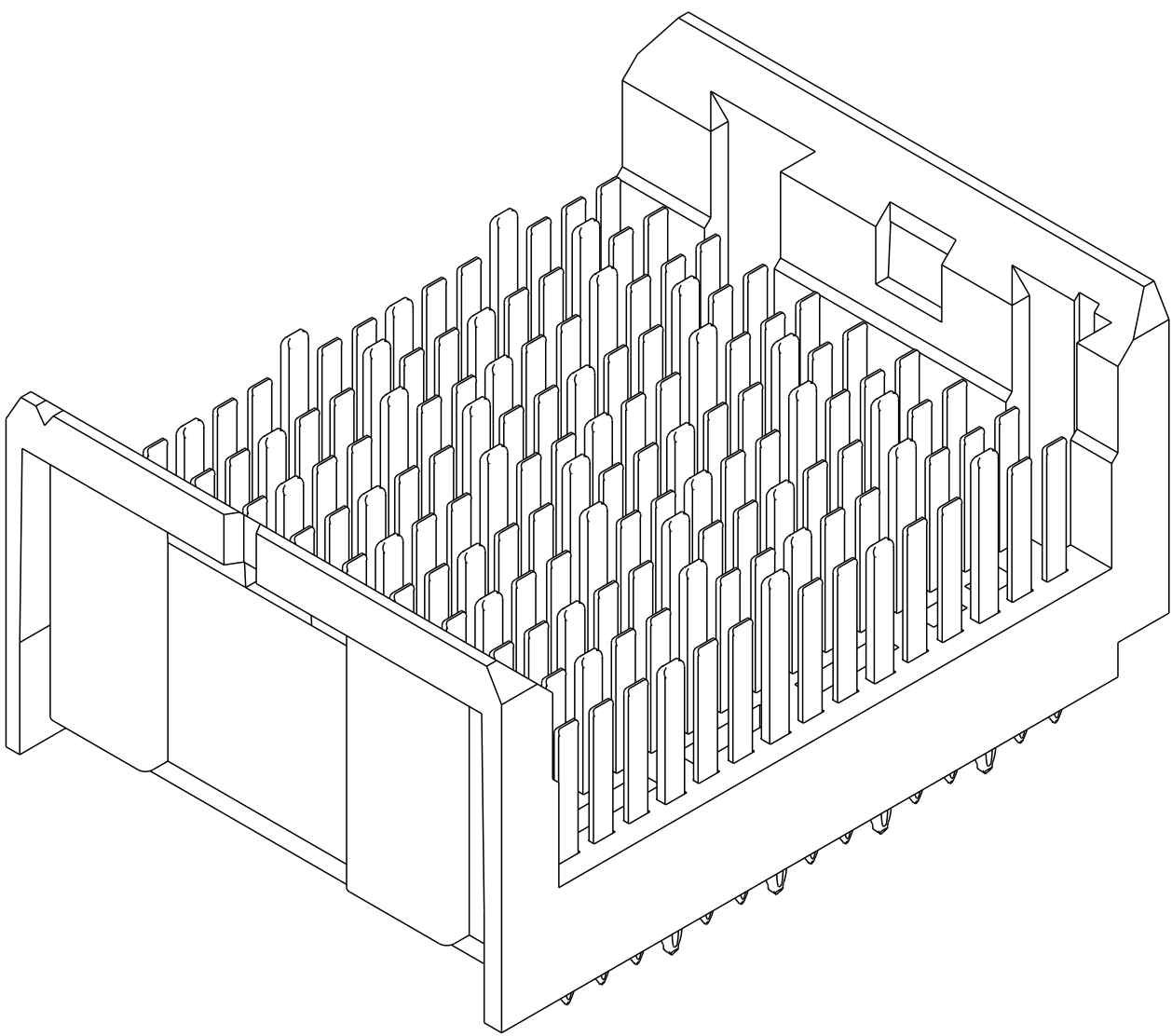
spec ref	-	dr	Sandar Soe	2012/11/15	projection	MM	size	A2	scale	3:1
tolerance std	ASME Y14.5	eng	Terry Luo	2020/09/07			ecn no	ELX-DG-38252-1	rel level	Released
TOLERANCES UNLESS OTHERWISE SPECIFIED		chr	-	product family			AIRMAX VS			
surface	-	appr	Heaven Cen	2020/09/17			rel level	Released		
linear	0.X ±0.3 0.XX ±0.10 0.XXX ±0.050	Amphenol FCi		title		AIRMAX VSE VERTICAL HEADER	div no	10123360	rev	D
angular	0° ±2°	cat. no.		Product - Customer Drw		sheet 3 of 4				

PDS: Rev :D

STATUS:Released

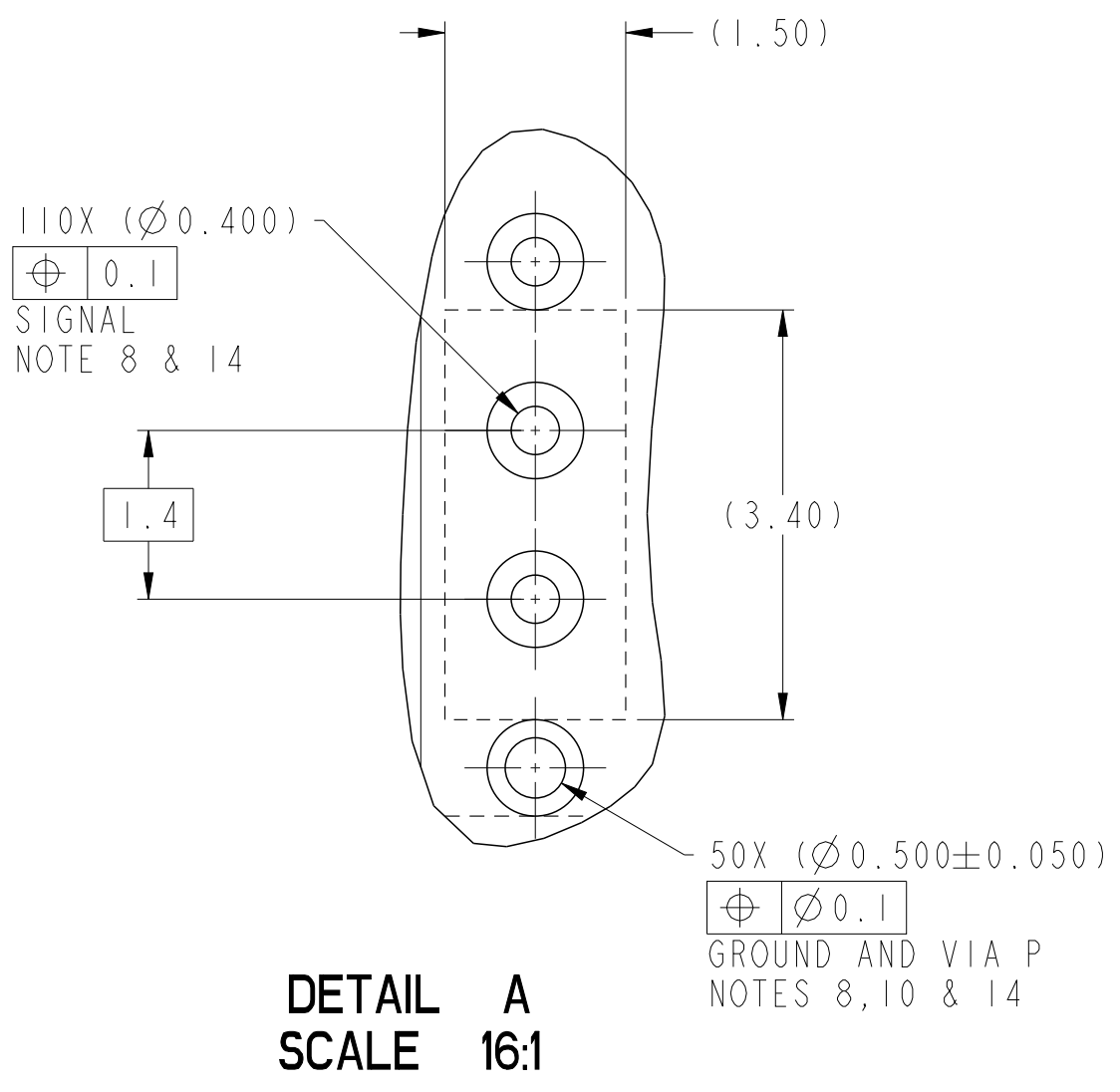
Printed: Sep 18, 2020

PART NUMBER	PRESS-FIT TAIL PLATING TYPE	PROTECTIVE COVER	DETECTION PIN	LONG GROUND PIN LOCATIONS (5.6MM)	REMARKS
10123360-101LF	TIN OVER NICKEL (LEAD FREE)	YES	NO	F1, F3, F5, F7, F9, G2, G4, G6, G8, G10, L1, L3, L5, L7, L9, M2, M4, M6, M8, M10	2-SIDED PLATING
10123360-111LF		YES	YES		



10123360-101LF & 111LF WITHOUT PROTECTIVE COVER

- NOTES:
- CONNECTOR MATERIALS:
HOUSING: HIGH TEMP THERMOPLASTIC, BLACK, UL94V-0
CONTACT: COPPER ALLOY
 - CONTACT PLATING:
SEPARABLE INTERFACE: PERFORMANCE-BASED PLATING, QUALIFIED TO MEET THE REQUIREMENTS OF FCI PRODUCT SPECIFICATION GS-12-239 INCLUDING TELCORDIA GR-1217-CORE (NOVEMBER 1995) CENTRAL OFFICE TEST SEQUENCE
PRESS-FIT TAILS: SEE TABLE
 - PRODUCT SPECIFICATION: GS-12-239.
 - APPLICATION SPECIFICATION: GS-20-035.
 - PRODUCT MARKING, (PROTOTYPE, PART NUMBER & LOT CODE), ON THIS SURFACE.
 - THE MINIMUM CENTERLINE SPACING BETWEEN ADJACENT MODULES IS 20.0 mm.
 - CONNECTOR OUTLINE WITH HOUSING POS A1 INDICATOR MAY BE SCREEN PRINTED ONTO CUSTOMER PCB TO BE USED AS A GUIDE FOR MANUAL CONNECTOR PLACEMENT.
 - REFER TO CUSTOMER DRAWING 10104444 FOR INFORMATION ON PCB HOLE DIAMETERS AND PLATING OPTIONS.
 - THIS PRODUCT MEETS EUROPEAN UNION DIRECTIVES AND OTHER COUNTRY REGULATIONS AS DESCRIBED IN GS-22-008.
 - THE OUTER VIAS IN ROW P ARE OPTIONAL. IF ADDED THESE HOLES PROVIDE GROUND SYMMETRY THROUGH THE PCB. NO CONNECTORS EONS WILL BE PRESSED INTO THESE HOLES.
 - PACKAGING MEETS GS-14-920 LEAD FREE LABELING SPECIFICATION.
 - FOR REMOVAL OF THE PROTECTIVE CAP BY HAND GRIP USING THESE SURFACES.
 - FOR REMOVAL OF THE PROTECTIVE CAP WITH PLIERS GRIP USING THIS FEATURE.
 - GROUND VIAS IN POSITION C, F, I, L & P FOR ODD COLUMNS AND POSITIONS D, G, J, M & P FOR EVEN COLUMNS REQUIRE (Ø0.50) FINISHED HOLES. ALL OTHER VIAS REQUIRE (Ø0.40) FINISHED HOLES.
 - MATING PIN H5 IS 0.5mm LESS NOMINAL WIPE THAN THE SHORTEST PIN



spec ref	-	dr	Sandar Soe	2012/11/15	projection	MM	size	A2	scale	5:1
tolerance std	ASME Y14.5	eng	Terry Luo	2020/09/07			ecn no	ELX-DG-38252-1		
		chr	-	app			Heaven Cen	2020/09/17	product family	AIRMAX VS
surface	-				AIRMAX VSE VERTICAL HEADER 5 PAIR 150 POS 2MM 10 COL SMALL PRESS FIT,GXT+		cat. no.	10123360	rev	D
ASME Y14.5	angular	0°	±2°	Product - Customer Drw		sheet 4 of 4				

Amphenol FCI

© 2016 APCI