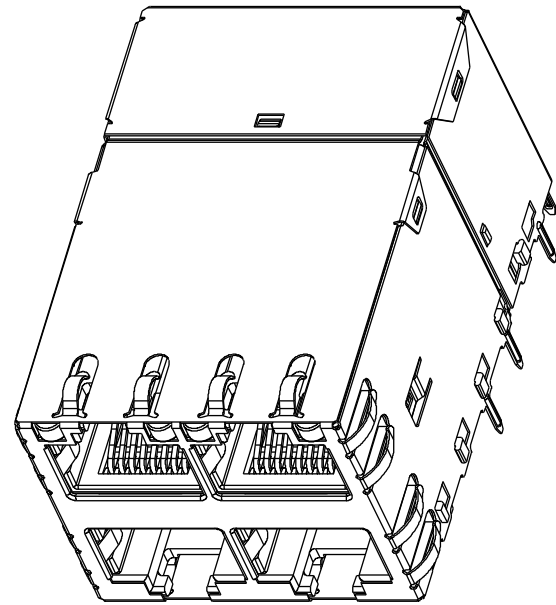


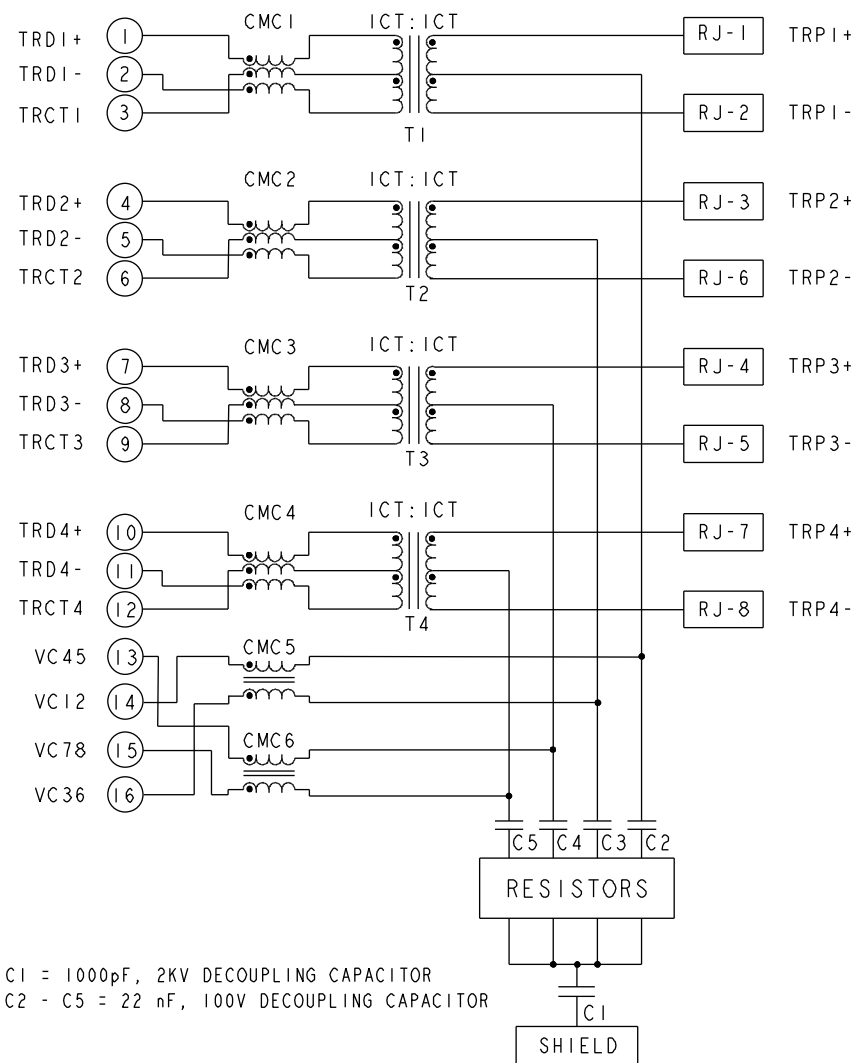
THIS DRAWING AND THE SUBJECT MATTER SHOWN THEREON ARE CONFIDENTIAL AND THE PROPERTY OF BEL/STEWART/TRP CONNECTOR AND SHALL NOT BE REPRODUCED, COPIED, OR USED IN ANY MANNER WITHOUT THE WRITTEN CONSENT OF TRP CONNECTOR.

PRODUCT MAY BE PROTECTED BY ONE OR MORE OF THE FOLLOWING US PATENTS:
 5736910 5939955 6425781 6428361 6554638 6840817 7123117
 7429195 7717749 7808751 6217391 6149050 7924130

| REVISIONS | | | | |
|-----------|-----------|----------------|----|-------|
| # | DATE | DESCRIPTION | BY | APP'D |
| 2 | 25AUG2020 | SEE LAST SHEET | CZ | TY |



S9UTG02ET 10 GIGABIT 4PPOE CIRCUIT



1 MATERIALS
 HOUSING: THERMOPLASTIC, BLACK, FLAMMABILITY RATING UL 94V-0
 SHIELD: COPPER BASE ALLOY, PREPLATED WITH MIN 0.76um SEMI-BRIGHT NICKEL, OR 0.20mm THICK STAINLESS STEEL
 CONTACT: PHOSPHOR BRONZE, WITH 1.27um MIN OVERALL NICKEL UNDERPLATE AND SELECTIVE 1.27um MIN GOLD PLATING AT MATING INTERFACE.
 LED: DIFFUSED EPOXY LENS, CARBON STEEL LEAD FRAME TAILS OF LED ARE PREPLATED WITH 2.03um MIN SILVER OVER 1.02um MIN NICKEL UNDERPLATE OVER 1.02um MIN COPPER UNDERPLATE. POST-PLATED WITH 2.54um MIN MATTE TIN AND/OR SAC SOLDER DIP OR PURE TIN SOLDER DIP.

2 MAGNETICS
 - APPLICATION: 1G/10G BASE-T
 - IMPEDANCE: 100 OHMS
 - TURNS RATIO (CHIP:CABLE): 1:1 ALL FOUR PAIRS
 - OPEN CIRCUIT INDUCTANCE (OCL): 120uH MIN @23mA, 100kHz, 0.1VRMS ALL FOUR PAIRS
 - ALL FOUR PAIRS BI-DIRECTIONAL
 - PoE CURRENT: 1A DC MAX
 - PERFORMANCE @ 25°C (WHERE f IS FREQUENCY IN MHZ)
 (a) INSERTION LOSS (IL):
 1 MHz TO 400 MHz -0.5-1.3*(f-1)/400 dB MIN
 (b) RETURN LOSS (RL):
 1 MHz TO 100 MHz -18 dB MAX
 100 MHz TO 500 MHz -18 + 20.75LOG10(f/100) dB MAX
 (c) CROSSTALK ATTENUATION:
 1 MHz TO 500 MHz -20 dB MAX
 (d) COMMON MODE REJECTION:
 1 MHz TO 500 MHz -16 dB MAX
 - ISOLATION VOLTAGE: 2250VDC(MAX) FOR 60 SECONDS WITH A RISE TIME OF 500V/SEC, WITH ALL PORTS CONNECTED.

3 THE MAGNETIC CIRCUIT ON ALL FOUR CHANNELS IS SYMMETRICAL AND SUPPORTS AUTO-MDIX OPERATION.

4. OPERATING TEMPERATURE: -40°C TO +85°C.

5 DATUM Y AND BASIC DIMENSION ESTABLISHED BY CUSTOMER.

6 RJ45 CAVITY CONFORMS TO FCC RULES AND REGULATION PART 68 SUBPART F.

7 TRP CONNECTOR LOGO, PART NUMBER, DATE CODE, COUNTRY OF ORIGIN, AGENCY APPROVAL MARKING IN APPROPRIATE LOCATION SHOWN.
 DATE CODE: YYWW WHERE "YY" IS YEAR, "WW" IS WORK WEEK, "D" IS DAY OF WEEK, WITH SUNDAY= 1

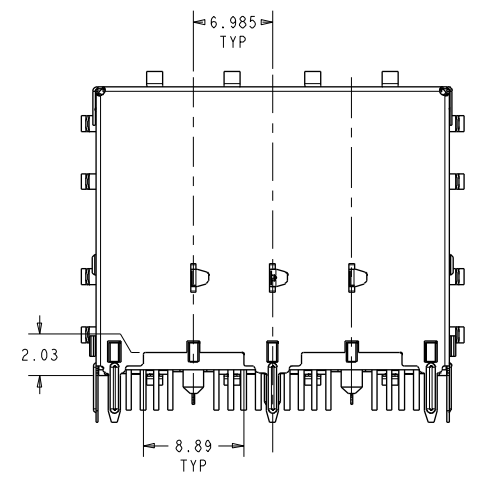
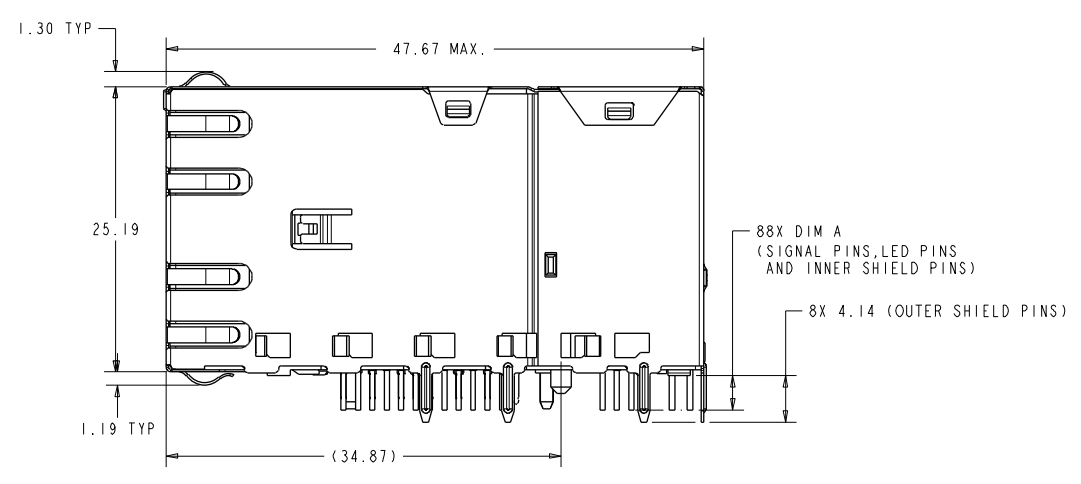
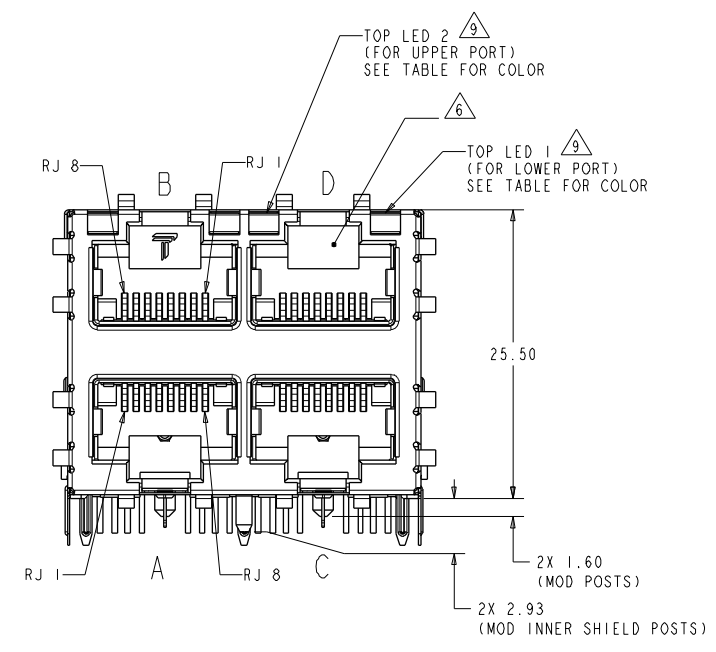
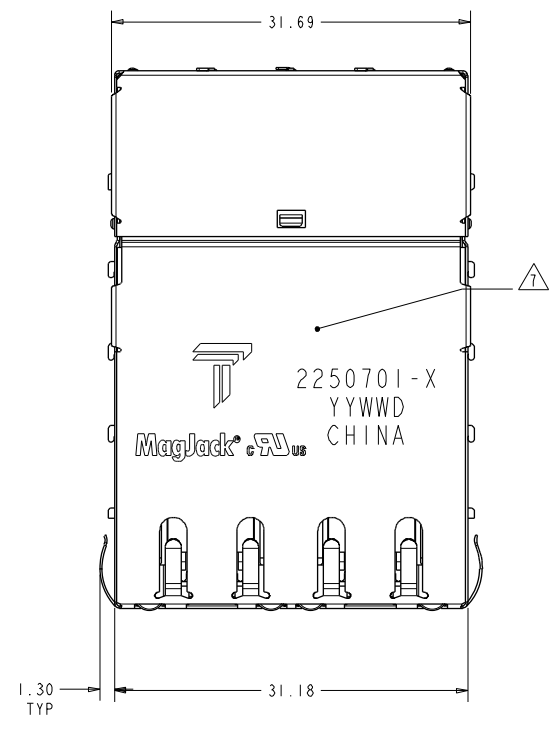
8 PANEL SEATING LOCATION WITH RESPECT TO CUSTOMER PCB EDGE.

9 LEDS ARE DRIVEN WITH CONSTANT CURRENT AT APPROX 20mA
 LED COLOR: DOMINANT WAVELENGTH (λD): GREEN 568 nm TYP. @ IF=20mA
 FORWARD VOLTAGE (VF): GREEN 2.2V TYP. @ IF=20mA
 DOMINANT WAVELENGTH (λD): AMBER 588 nm TYP. @ IF=20mA
 FORWARD VOLTAGE (VF): AMBER 2.1V TYP. @ IF=20mA

10. THE PARTS ARE RECOMMENDED FOR WAVE SOLDERING PROCESS, PEAK TEMPERATURE 260°C MAX, 10 SECONDS MAX.

| | | | |
|-------|----------------------------|----------------------------|-------------|
| 2.54 | GREEN/AMBER | GREEN/AMBER | 2250701-1 |
| DIM A | TOP LED 2 (FOR UPPER PORT) | TOP LED 1 (FOR LOWER PORT) | PART NUMBER |

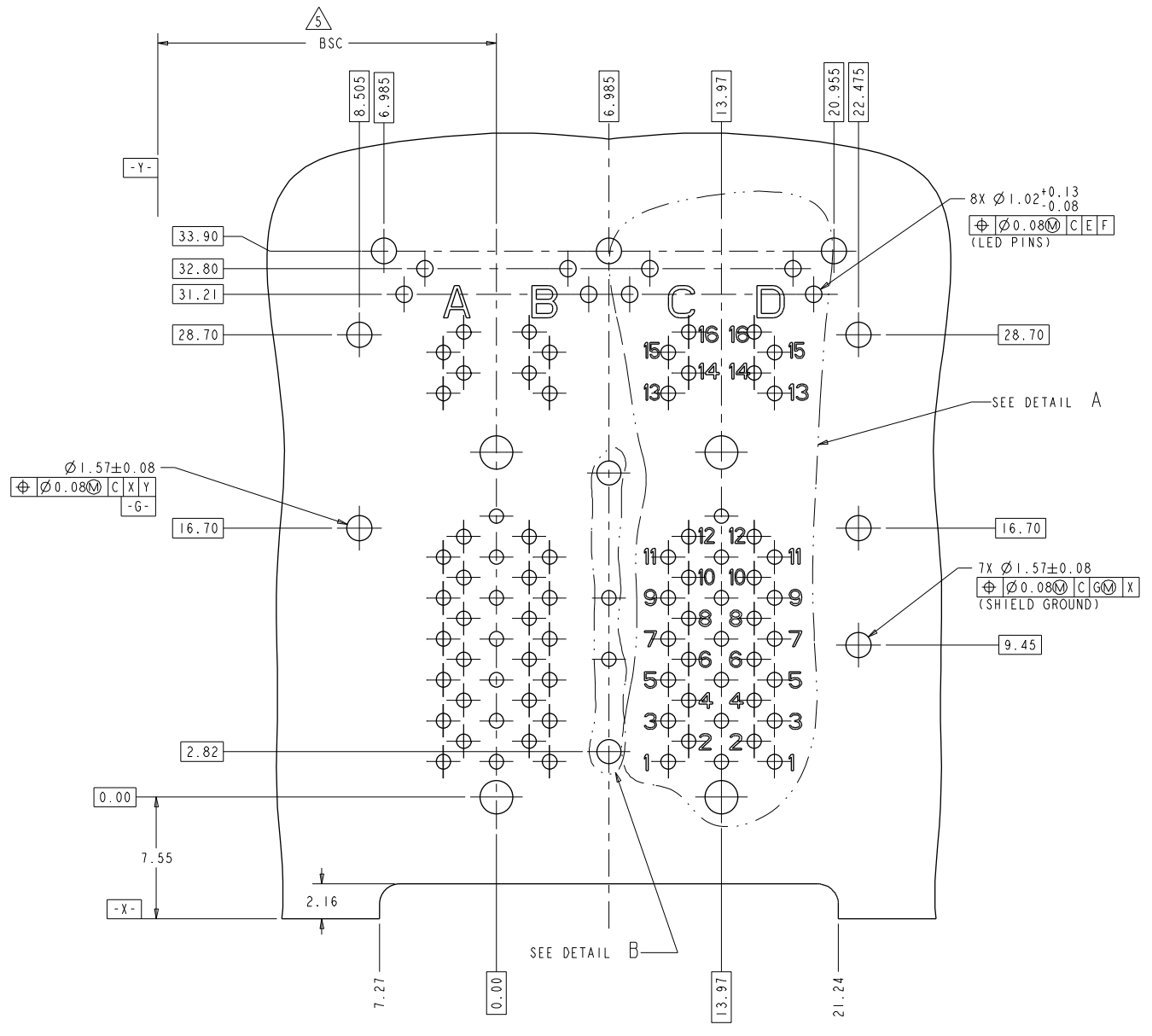
| | | | | |
|---|-------|---------------------------------|---|----------------|
| THIS DRAWING IS A CONTROLLED DOCUMENT. AND COMPLIANT TO ASME Y14.5M | | DWN: CLOUD ZENG 13MAY2020 | | DONGGUAN CHINA |
| DIMENSIONS: mm | | CHK: RICK LI/BILL LIU 13MAY2020 | | |
| TOLERANCES UNLESS OTHERWISE SPECIFIED: | | APP'D: TONY YUAN 13MAY2020 | trp CONNECTOR | |
| 0 PLC | ±0.25 | MODEL NAME | DESC: 2X2 S9UTG02ET 10G 4PPOE 100W W/ TOP LED | |
| 1 PLC | ±0.25 | SIZE | CAGE CODE DRAWING NO RESTRICTED TO | |
| 2 PLC | ±0.25 | PRODUCT SPEC | A1 | |
| 3 PLC | ±0.25 | APPLICATION SPEC | ©=2250701 | |
| 4 PLC | ± | | Customer Drawing | |
| ANGLES | ± | | SCALE NTS SHEET 1 OF 5 REV 2 | |



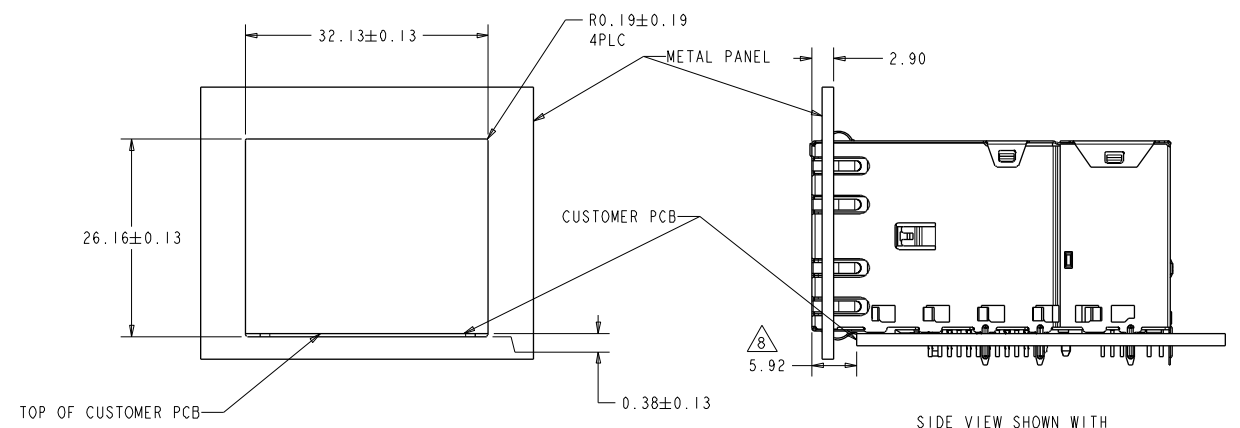
THIS DRAWING IS A CONTROLLED DOCUMENT, AND COMPLIANT TO ASME Y14.5M

| | | | |
|--------------------------|---------------------------------|--------------------------|---|
| DW: CLOUD ZENG 13MAY2020 | CHK: RICK LI/BILL LIU 13MAY2020 | APJ: TONY YUAN 13MAY2020 | DESC: 2X2 S9UTG02ET 10G 4PPOE 100W W/ TOP LED |
| MODEL NAME: MAGJACK | SIZE: A1 | CAGE CODE: C=2250701 | RESTRICTED TO: - |
| PRODUCT SPEC: 108-104004 | APPLICATION SPEC: - | SCALE: NTS | SHEET 2 OF 5 REV 2 |

trp CONNECTOR DONGGUAN CHINA

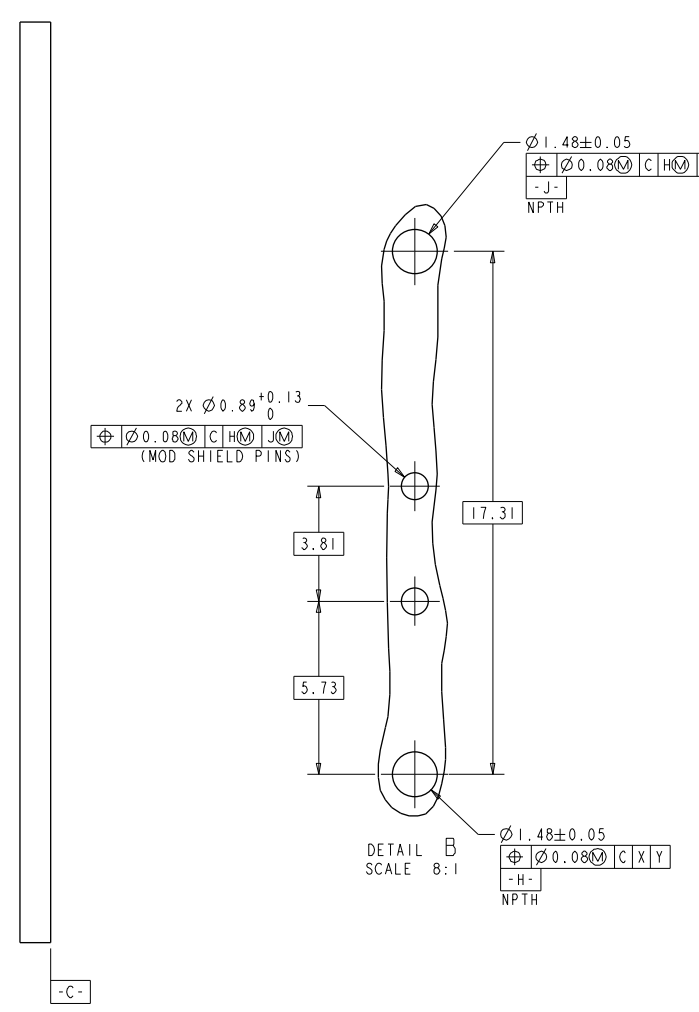


RECOMMENDED PC BOARD LAYOUT
(VIEW FROM COMPONENT SIDE)
SCALE 5:1

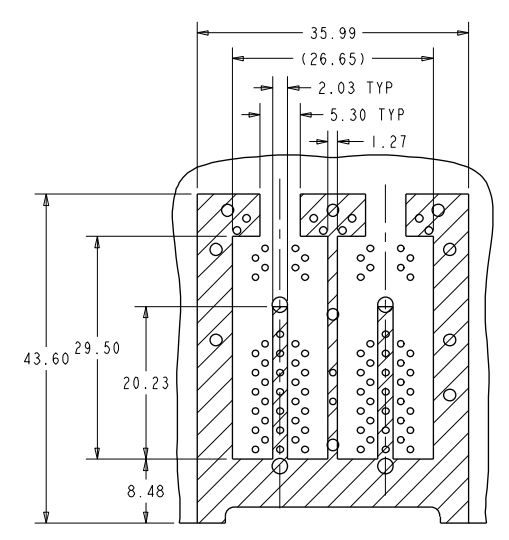


RECOMMENDED PANEL CUTOUT DIMENSION
SCALE 2:1

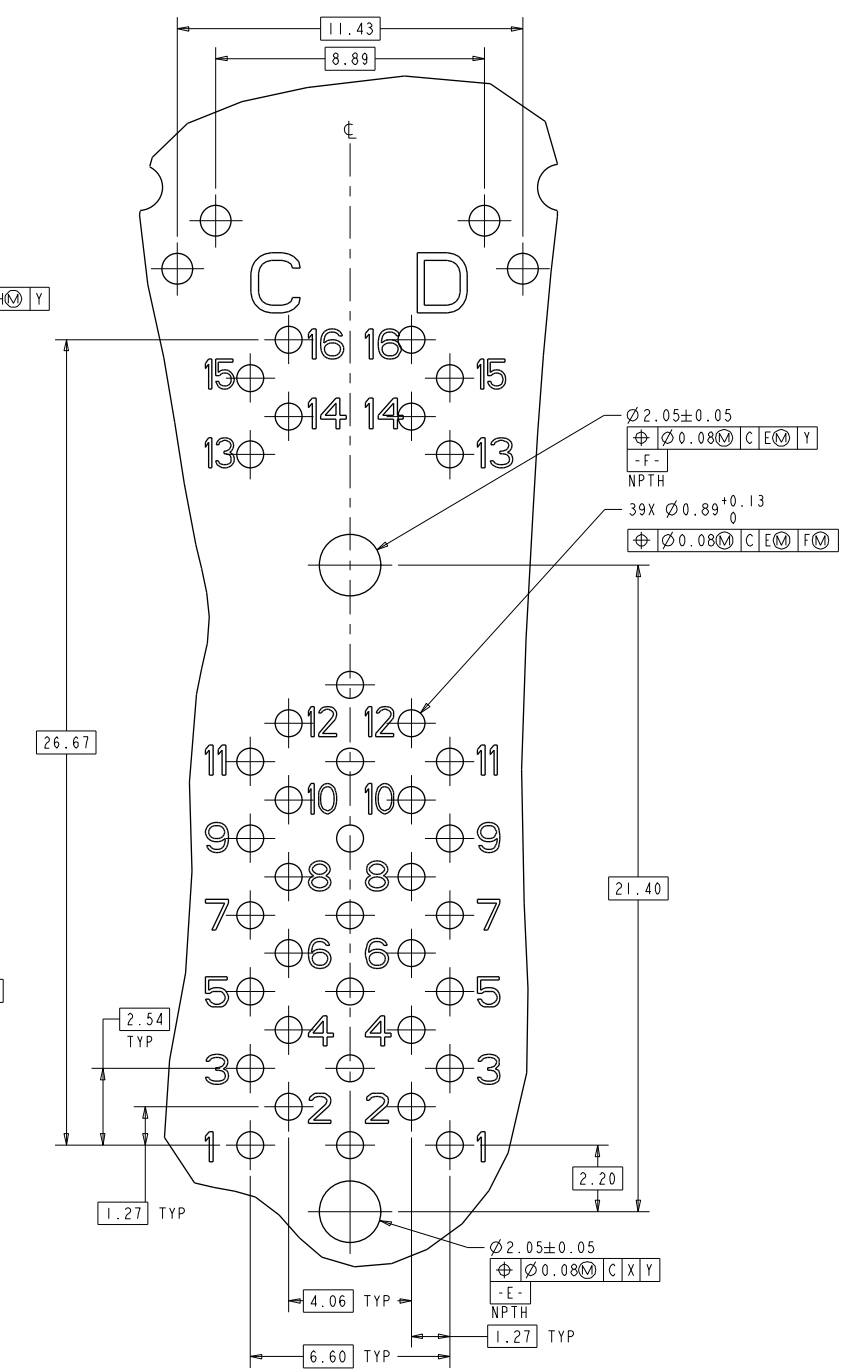
SIDE VIEW SHOWN WITH
CUSTOMER PANEL, PCB
SCALE 2:1



DETAIL B
SCALE 8:1

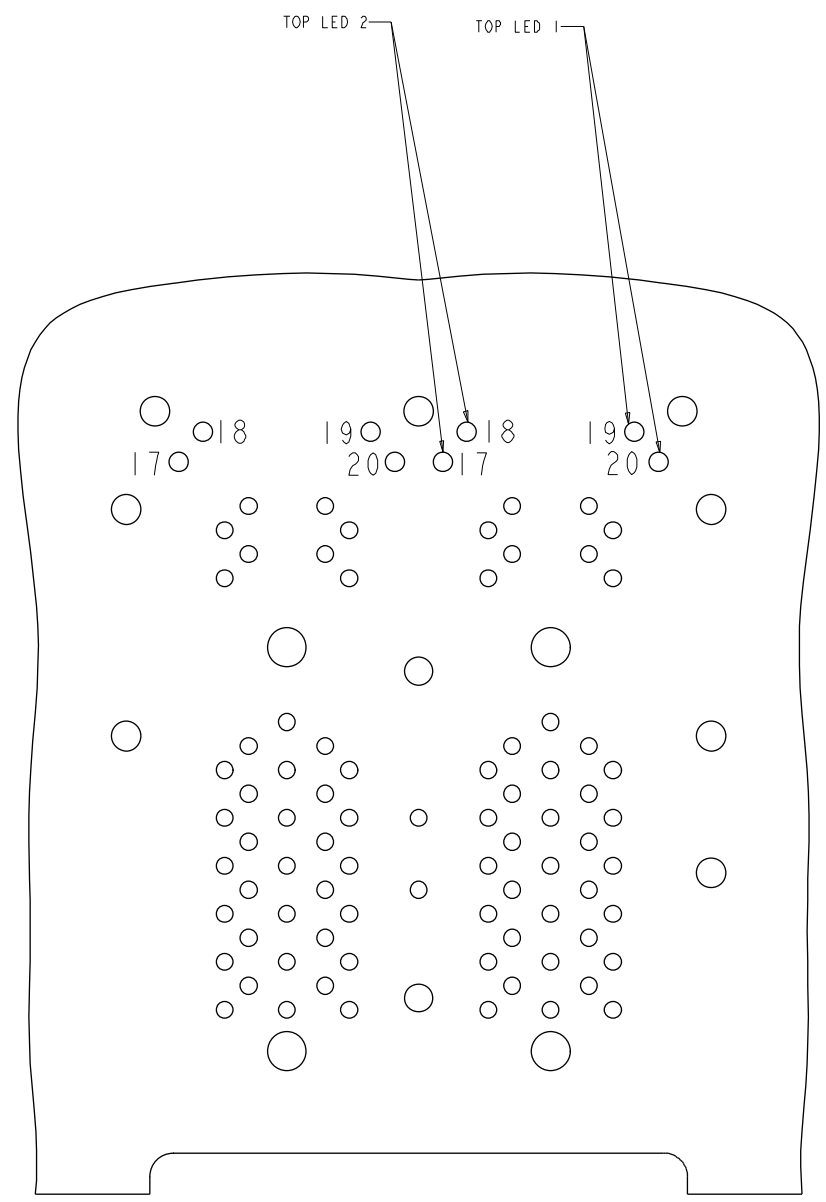
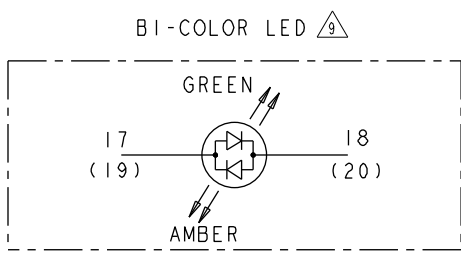


HATCHED AREA TO BE CLEAR OF ANY
COMPONENT SIDE TRACES OR VIAS
(EXCEPT FOR GROUND)
SCALE 2:1

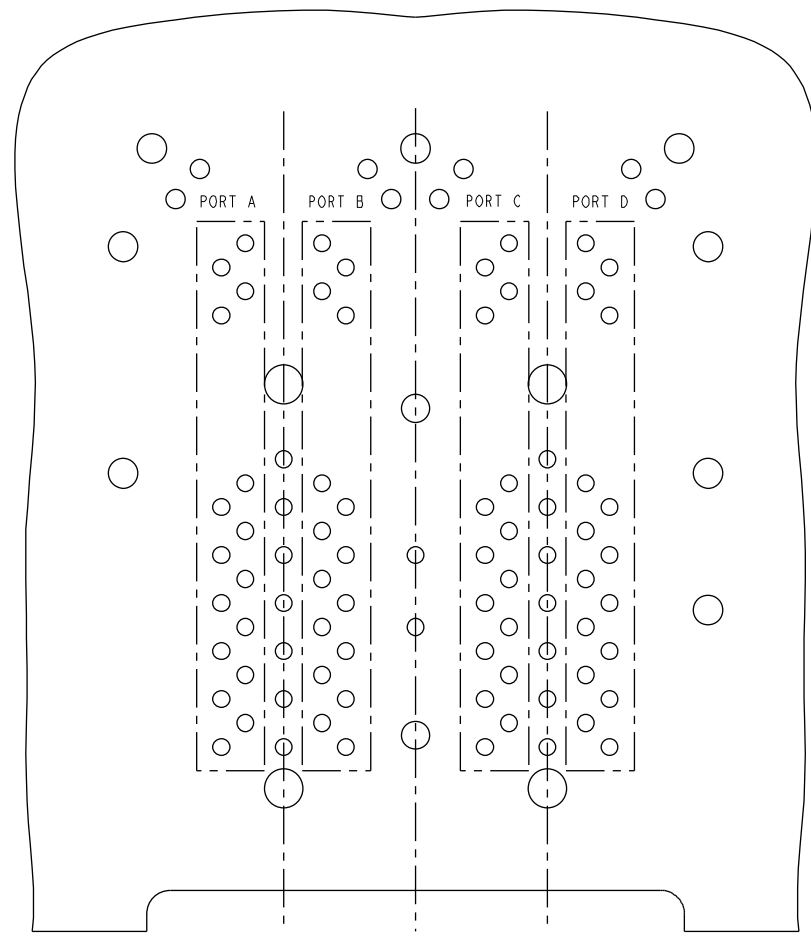


DETAIL A
2 INDIVIDUALLY
SCALE 8:1


| | | | |
|---|--|---|---------------------------------|
| THIS DRAWING IS A CONTROLLED DOCUMENT. AND COMPLIANT TO ASME Y14.5M | | DWN: CLOUD ZENG 13MAY2020 CHR: RICK LI/BILL LIU 13MAY2020 APP'D: TONY YUAN 13MAY2020 MODEL NAME: MAGJACK SIZE: 2X2 S9UTG02ET 10G 4PPOE 100W W/ TOP LED CAGE CODE: A1 DRAWING NO: C=2250701 RESTRICTED TO: Customer Drawing | trp CONNECTOR DONGGUAN CHINA |
| DIMENSIONS: mm | TOLERANCES UNLESS OTHERWISE SPECIFIED: | DESC: 2X2 S9UTG02ET 10G 4PPOE 100W W/ TOP LED | SCALE: NTS |
| 0 PLC ±0.25 1 PLC ±0.25 2 PLC ±0.25 3 PLC ±0.25 4 PLC ± ANGLES ± | APPLICATION SPEC: - | SHEET 3 OF 5 REV 2 | |
| PRODUCT SPEC: 108-104004 | | | |



LED HOLE DESIGNATIONS
VIEWED FROM COMPONENT SIDE
SCALE 5:1




PORT ASSIGNMENT
VIEWED FROM COMPONENT SIDE
SCALE 5:1

| | | | | | | |
|--|--|--------------------------------|--|---|----------------------|-------------------|
| THIS DRAWING IS A CONTROLLED DOCUMENT. AND COMPLIANT TO ASME Y14.5M | | DWN CLOUD ZENG 13MAY2020 | |  | trp CONNECTOR | DONGGUAN CHINA |
| DIMENSIONS: mm | | CHK RICK LI/BILL LIU 13MAY2020 | | | | |
| TOLERANCES UNLESS OTHERWISE SPECIFIED: | | APPD TONY YUAN 13MAY2020 | | DESC 2X2 S9UTG02ET 10G 4PPOE 100W W/ TOP LED | | |
| 0 PLC ±0.25 | | MODEL NAME | | SIZE CAGE CODE DRAWING NO RESTRICTED TO | | |
| 1 PLC ±0.25 | | MAGJACK | | A1 | | |
| 2 PLC ±0.25 | | STACK 4PPOE | | ©=2250701 | | |
| 3 PLC ±0.25 | | Customer Drawing | | SCALE NTS SHEET 4 OF 5 REV 2 | | |
| 4 PLC ± | | | | | | |
| ANGLES ± | | | | | | |
| APPLICATION SPEC | | | | | | |
| PRODUCT SPEC | | | | | | |
| 108-104004 | | | | | | |

| 2250701 | | | | STOCK DISPOSITION | | | | |
|---|-----|--|------------------|-------------------|----------------------------|---------------------------------|-------------------------------|--------------------------------|
| 2X2 S9UTG02ET 10G 4PPOE 100W W/ TOP LED | | | | A: CONTINUE AS IS | | D: USE OLD FIRST | | |
| REVISION HISTORY | | | | B: REWORK | | E: PARTS TO CONFORM | | |
| | | | | C: SCRAP | | F: OTHER | | |
| DATE | REV | CHANGES | REASON | APPROVAL | INVENTORY (A,B,C,D,E,F) | WORK IN PROCESS (A,B,C,F) | SUPPLIER ORDERS (A,E,F) | OPEN CUST ORDERS (A,E,F) |
| 13MAY2020 | 1 | INITIAL RELEASE. | N/A. | TONY YUAN | - | - | - | - |
| 25AUG2020 | 2 | 1.ADD TOP LEDS; 2. CHANGE OPERATING TEMP TO ET(-40°C TO +85°C) | CUSTOMER REQUEST | TONY YUAN | - | - | - | - |

THIS DRAWING IS A CONTROLLED DOCUMENT.
AND COMPLIANT TO ASME Y14.5M

| | | | |
|-------------------|--|--------------------------------------|---|
| DIMENSIONS: mm | TOLERANCES UNLESS OTHERWISE SPECIFIED: 0 PLC ±0.25 1 PLC ±0.25 2 PLC ±0.25 3 PLC ±0.25 4 PLC ± ANGLES ± | DWN CLOUD ZENG 13MAY2020 | DESC 2X2 S9UTG02ET 10G 4PPOE 100W W/ TOP LED |
| | PRODUCT SPEC 108-104004 | CHK RICK LI/BILL LIU 13MAY2020 | SIZE A1 |
| | APPLICATION SPEC - | APP'D TONY YUAN 13MAY2020 | CAGE CODE 2250701 |
| | | MODEL NAME MAGJACK STACK 4PPOE | RESTRICTED TO - |
| | | Customer Drawing | SCALE NTS SHEET 5 OF 5 REV 2 |



DONGGUAN CHINA