

THIS DRAWING IS UNPUBLISHED.

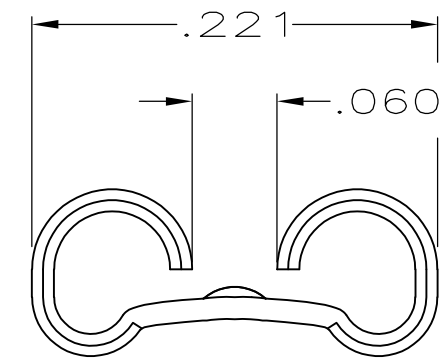
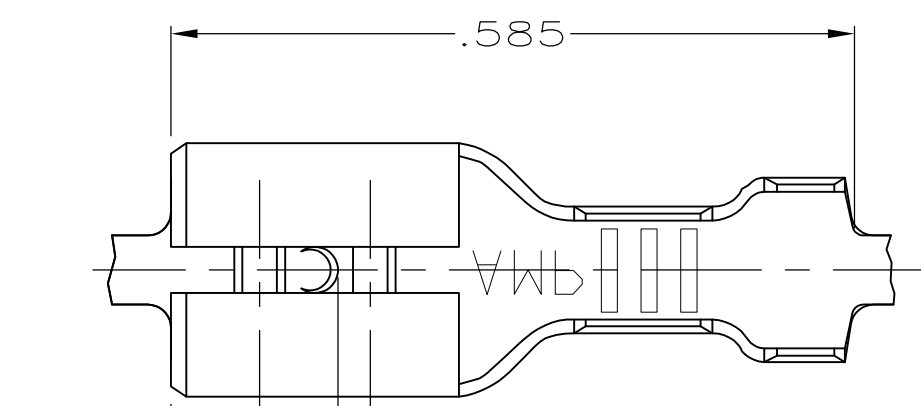
RELEASED FOR PUBLICATION

ALL RIGHTS RESERVED.

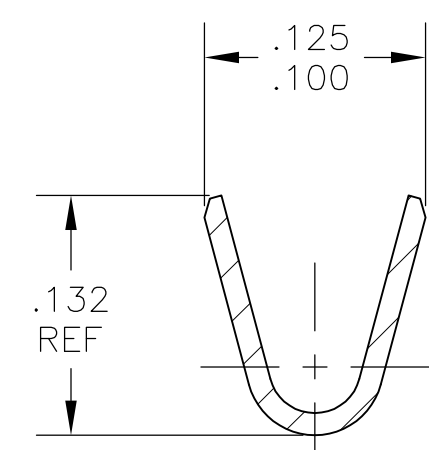
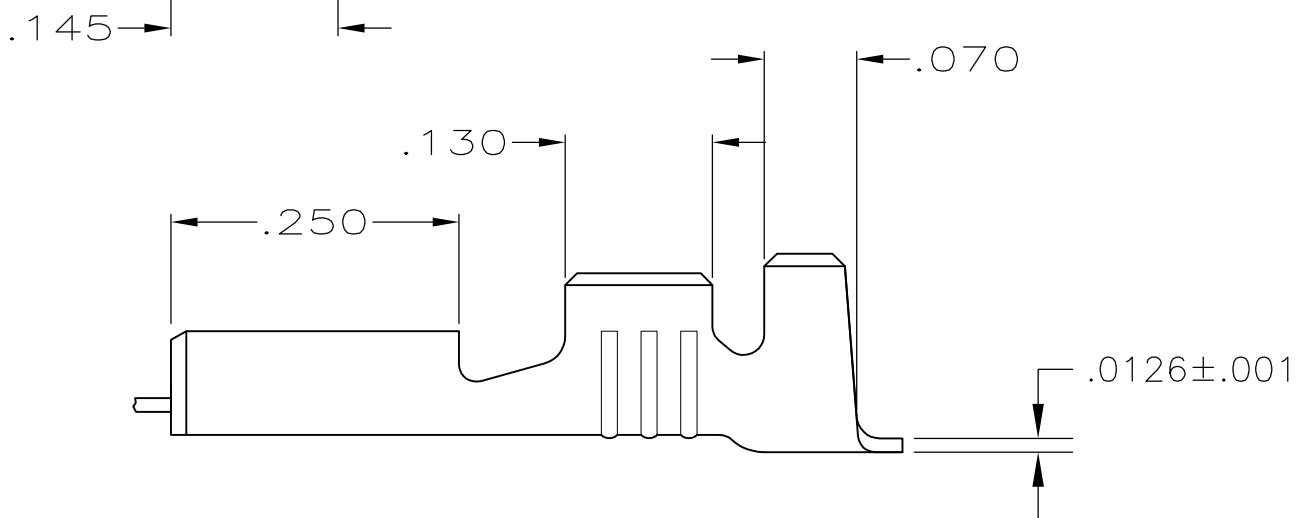
© COPYRIGHT - By -

LOC	DIST	REVISIONS					
AF	50	P	LTR	DESCRIPTION	DATE	DWN	APVD
		D		REVISED PER ECR-12-013518	26NOV2012	KH	PD

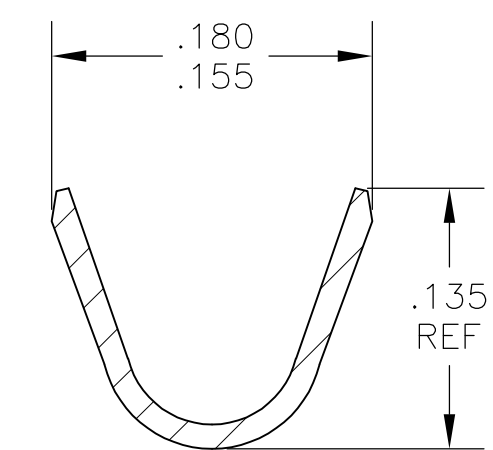
- 1 CONTINUOUS STRIP ON REELS.
- 2 WIRE SIZE IS #20-#16 AWG
- 3 INSULATION RANGE IS .070-.100 DIA
- 4 MATING TAB THK IS .032±.001



VIEW A-A
SCALE 10:1



SECTION B-B
SCALE 10:1



SECTION C-C
SCALE 10:1

1742102-1
PART NO

THIS DRAWING IS A CONTROLLED DOCUMENT.		DWN JR RUTH 23MAR04	TE Connectivity															
DIMENSIONS: INCHES		CHK MS FEHER 23MAR04																
TOLERANCES UNLESS OTHERWISE SPECIFIED:		APVD P DESANTIS 23MAR04	NAME RECEPTACLE, FASTON, .187 SERIES															
<table border="0"> <tr><td>0 PLC</td><td>± -</td></tr> <tr><td>1 PLC</td><td>± -</td></tr> <tr><td>2 PLC</td><td>± -</td></tr> <tr><td>3 PLC</td><td>± .010</td></tr> <tr><td>4 PLC</td><td>± -</td></tr> <tr><td>ANGLES</td><td>± -</td></tr> </table>		0 PLC	± -	1 PLC	± -	2 PLC	± -	3 PLC	± .010	4 PLC	± -	ANGLES	± -	PRODUCT SPEC -	SIZE	CAGE CODE	DRAWING NO	RESTRICTED TO
0 PLC	± -																	
1 PLC	± -																	
2 PLC	± -																	
3 PLC	± .010																	
4 PLC	± -																	
ANGLES	± -																	
MATERIAL BRASS	FINISH TIN	APPLICATION SPEC -	WEIGHT -	A300779	C-1742102	-												
CUSTOMER DRAWING			SCALE 6:1	SHEET 1 OF 1	REV D													