



Connectors > PCB Connectors > Backplane Connectors > Backplane Guide Hardware



Connector Guide Hardware Type: **Guide Pin Module**

Features

Product Type Features

Connector Guide Hardware Type	Guide Pin Module
-------------------------------	------------------

Configuration Features

PCB Mount Orientation	Vertical
-----------------------	----------

Body Features

Guide Component Plating Material Finish Process	Passivated
Guide Component Base Material	Stainless Steel

Dimensions

Guide Length	25.16 mm[.99 in]
--------------	------------------

Product Compliance

[For compliance documentation, visit the product page on TE.com>](#)

EU RoHS Directive 2011/65/EU	Compliant
EU ELV Directive 2000/53/EC	Compliant
China RoHS 2 Directive MIIT Order No 32, 2016	No Restricted Materials Above Threshold
EU REACH Regulation (EC) No. 1907/2006	Current ECHA Candidate List: JUNE 2023 (235) Candidate List Declared Against: JAN 2023 (233) Does not contain REACH SVHC
Halogen Content	Low Halogen - Br, Cl, F, I < 900 ppm per

homogenous material. Also BFR/CFR/PVC Free

Solder Process Capability

Not applicable for solder process capability

Product Compliance Disclaimer

This information is provided based on reasonable inquiry of our suppliers and represents our current actual knowledge based on the information they provided. This information is subject to change. The part numbers that TE has identified as EU RoHS compliant have a maximum concentration of 0.1% by weight in homogenous materials for lead, hexavalent chromium, mercury, PBB, PBDE, DBP, BBP, DEHP, DIBP, and 0.01% for cadmium, or qualify for an exemption to these limits as defined in the Annexes of Directive 2011/65/EU (RoHS2). Finished electrical and electronic equipment products will be CE marked as required by Directive 2011/65/EU. Components may not be CE marked. Additionally, the part numbers that TE has identified as EU ELV compliant have a maximum concentration of 0.1% by weight in homogenous materials for lead, hexavalent chromium, and mercury, and 0.01% for cadmium, or qualify for an exemption to these limits as defined in the Annexes of Directive 2000/53/EC (ELV). Regarding the REACH Regulation, the information TE provides on SVHC in articles for this part number is based on the latest European Chemicals Agency (ECHA) 'Guidance on requirements for substances in articles' posted at this URL: <https://echa.europa.eu/guidance-documents/guidance-on-reach>

Compatible Parts



TE Part # 5223957-3
UPM GUIDE MODULE

Customers Also Bought



TE Part #1658694-4
AMP-LATCH UNV HDR,50 POSN,VERT



TE Part #1888781-1
Cage Assy Behind Bezel QSFP



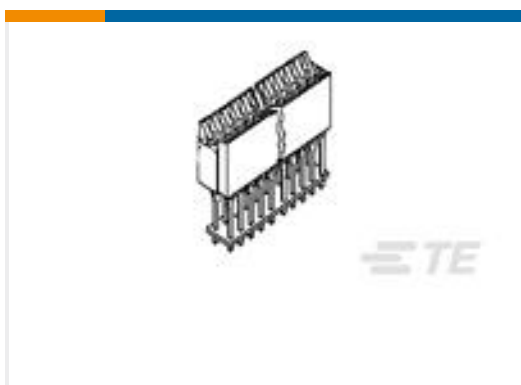
TE Part #3-1879208-4
CPF 0402 240R 0.1% 25PPM 1K RL



TE Part #1879213-5
CPF 0402 28R7 0.1% 25PPM 1K RL



TE Part #2170806-4
CAGE ASSEMBLY, 1X2, QSFP28, SPRING, HS



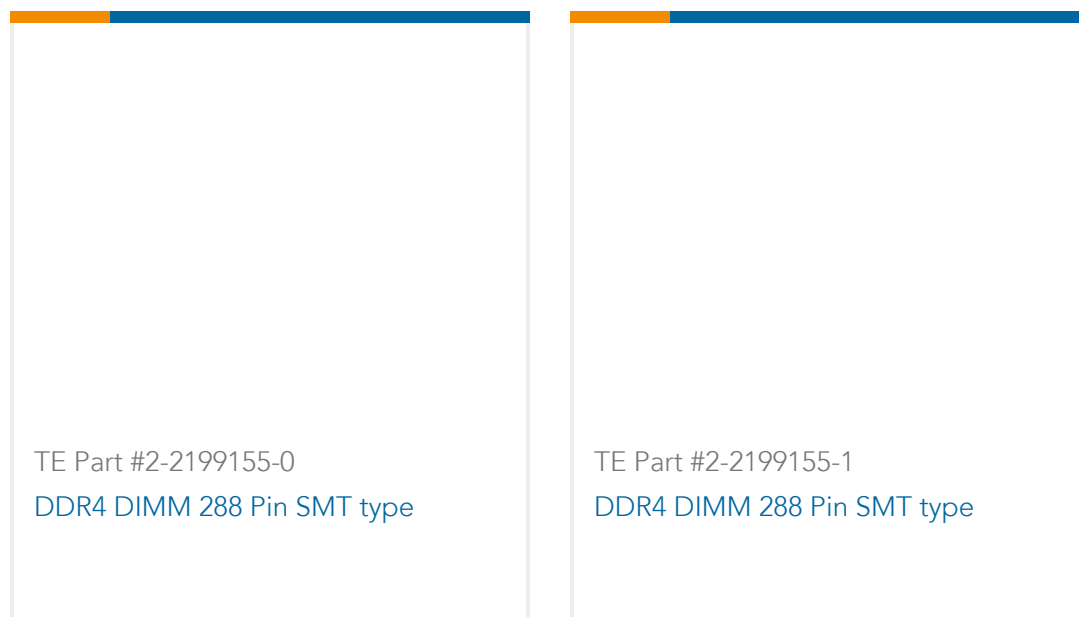
TE Part #5-650297-1
AMP PACE CONN 10POS 100X200C/L



TE Part #2187650-1
SW PIR HDR BFP, 85OHM, 8X4 DEW



TE Part #1-2029173-0
10P VRT HDR VAL-U-LOK V0 W/ODH



Documents

Product Drawings

[UNV PWR MDL, GUIDE PIN PLTD](#)

English

CAD Files

[3D PDF](#)

3D

Customer View Model

[ENG_CVM_CVM_120985-1_A1.2d_dxf.zip](#)

English

Customer View Model

[ENG_CVM_CVM_120985-1_A1.3d_igs.zip](#)

English

Customer View Model

[ENG_CVM_CVM_120985-1_A1.3d_stp.zip](#)

English

By downloading the CAD file I accept and agree to the [Terms and Conditions](#) of use.

Datasheets & Catalog Pages

[2_PIECE_POWER_CONNECTORS_qrg_4-1773458-1](#)

English

Product Specifications

[Engineering Report](#)

English

Product Environmental Compliance

[MD_120985-1_09032015456_dmtec](#)

English

[MD_120985-1_09032015456_dmtec](#)

English