

H G F E D C B A

4

3

2

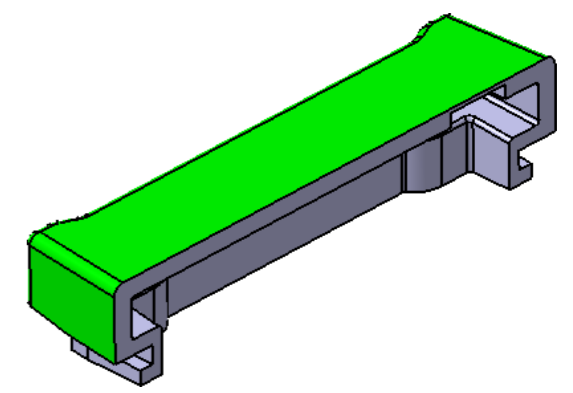
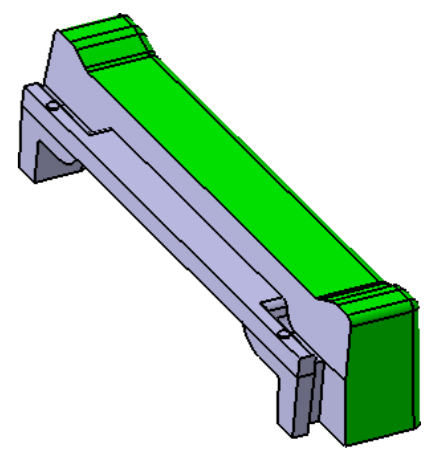
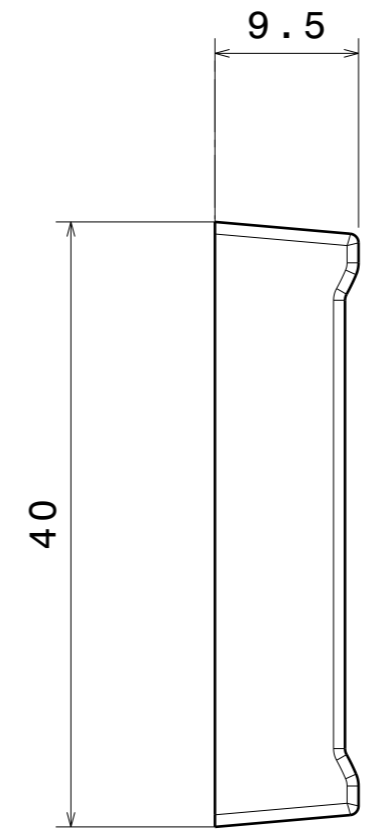
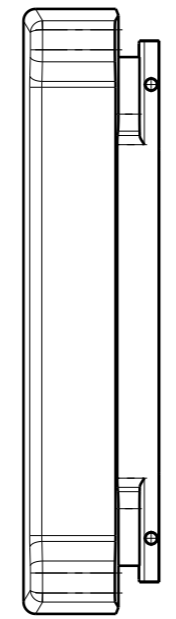
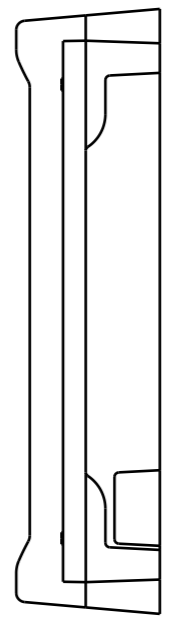
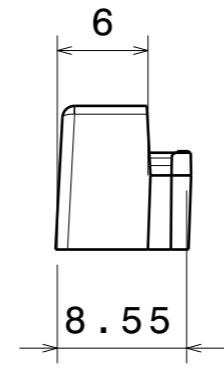
1

4

3

2

1



Section B-B (2:1)

INDEX	PART NO	DESCRIPTION	MATERIAL	COLOUR
1	F15857	LINNEA-END-FS	PC	Clear

Tolerances if not otherwise shown
According to DIN ISO 2768-1
Linear measures:
Up to 30mm class M, otherwise class C.
According to DIN ISO 2768-2
Form and position: class L

LEDiL LediL Oy
Salorankatu 10
FIN 24240 SALO
Finland

THIRD ANGLE PROJECTION:

DRAWING TITLE
F15857_LINNEA-END-FS Datasheet

This drawing is the property of LEDiL Oy. It may not be reproduced, copied or communicated without a written agreement with LEDiL Oy.

SIZE	PART NUMBER
A3	F15857

20160923	SCALE	1:1	WEIGHT	1,47 g	SHEET	1/1
----------	-------	-----	--------	--------	-------	-----

H G B A