

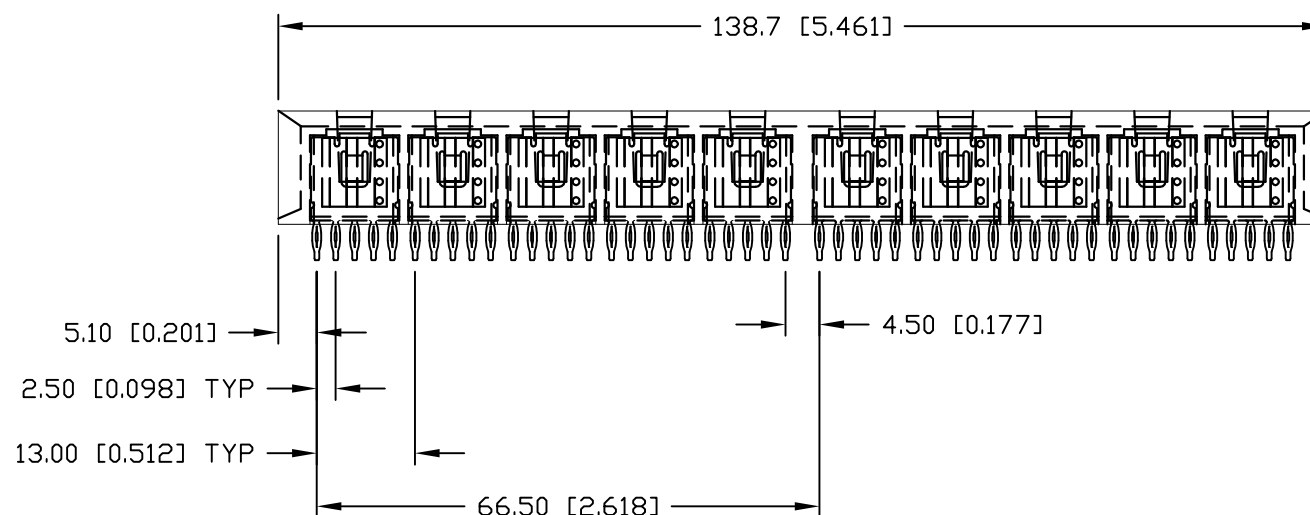
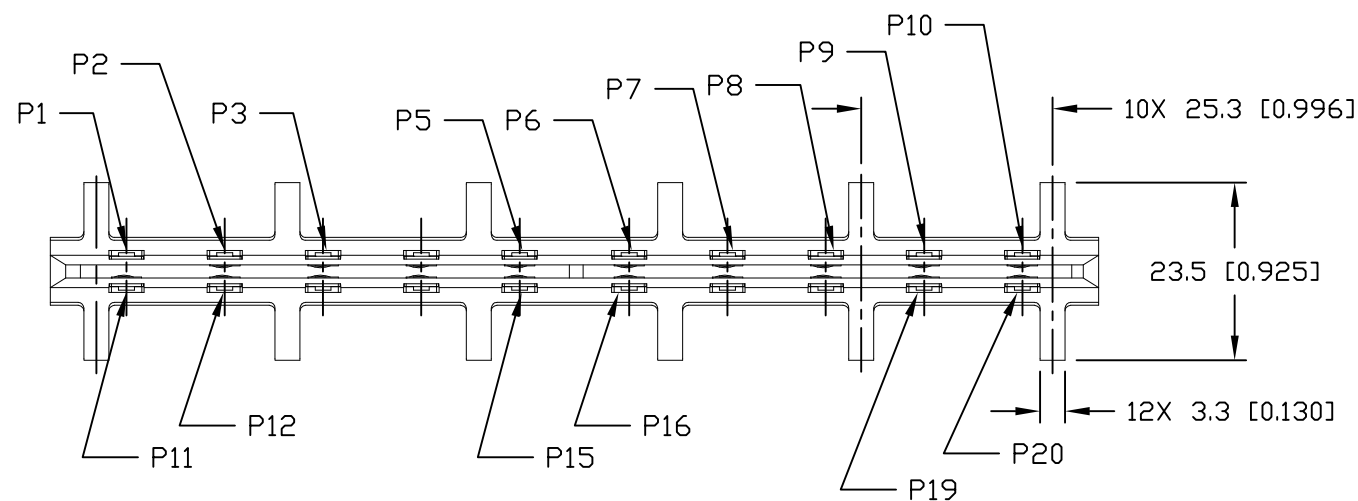
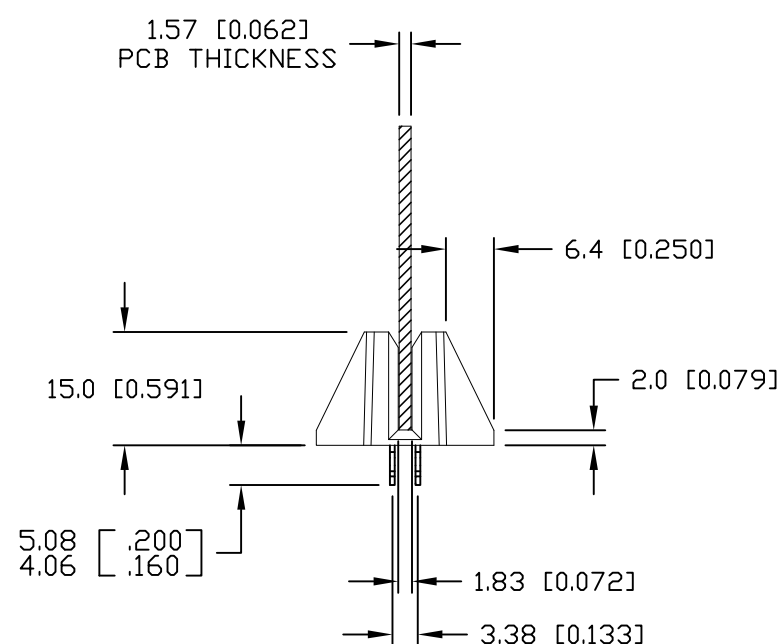
THIS DRAWING IS UNPUBLISHED. RELEASED FOR PUBLICATION

© COPYRIGHT BY TYCO ELECTRONICS CORPORATION. ALL RIGHTS RESERVED.

LOC GP DIST 00

REVISIONS

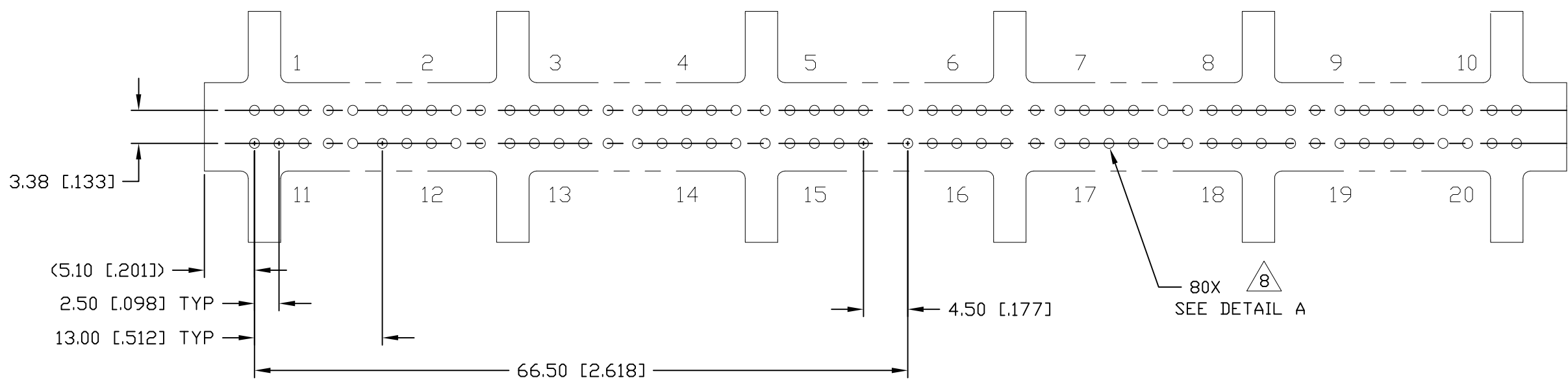
P	LTR	DESCRIPTION	DATE	DWN	APVD
-	-	SEE SHEET 1	-	-	-



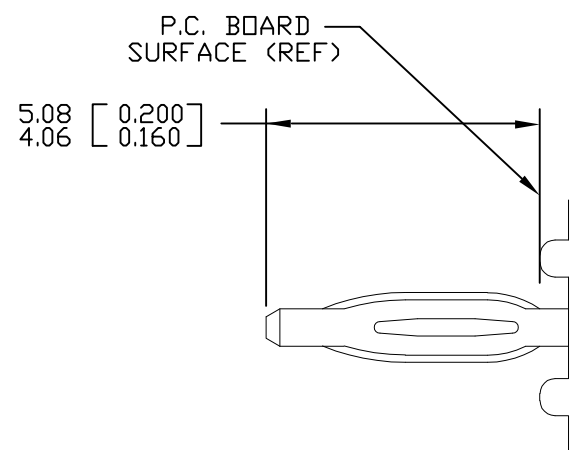
THIS DRAWING IS A CONTROLLED DOCUMENT.		DWN R.GRZYBOWSKI 03AUG07	Tyco Electronics Tyco Electronics Corporation Harrisburg, PA 17105-3608		
DIMENSIONS: mm		CHK S.FLICKINGER 03AUG07	NAME		
TOLERANCES UNLESS OTHERWISE SPECIFIED:		APVD S.FLICKINGER 03AUG07	CONNECTOR, SOCKET		
0 PLC ± -		PRODUCT SPEC -	SIDE ENTRY		
1 PLC ± .5 [.020]		APPLICATION SPEC -	CROWN EDGE		
2 PLC ± .25 [.010]		WEIGHT -	SIZE A3	CAGE CODE 00779	DRAWING NO C-1926572
3 PLC ± -		MATERIAL -	RESTRICTED TO -		SCALE 1:1 SHEET 2 OF 3 REV A
4 PLC ± -					
ANGLES ± .5		CUSTOMER DRAWING			
FINISH -					

THIS DRAWING IS UNPUBLISHED. RELEASED FOR PUBLICATION
 © COPYRIGHT - BY TYCO ELECTRONICS CORPORATION. ALL RIGHTS RESERVED.

LOC GP	DIST 00	REVISIONS		
P	LTR	DESCRIPTION	DATE	DWN
		SEE SHEET 1	-	-
				APVD



SUGGESTED PCB LAYOUT
 SCALE 2=1



7. COMPLIANT PIN DETAIL
INSERTION/EXTRACTION FORCES
 MAXIMUM PUSH-IN: 133.3N PER PIN
 [30 LBS]
 MINIMUM PUSH-OUT: 44.4N PER PIN
 [10 LBS]

8 DETAIL A

SOLDER TERMINATION AREA
 RECOMMENDED PRINTED CIRCUIT HOLE
 DRILLED HOLE: $\phi 1.15$ [.0453] ± 0.13 [.0005]
 COPPER PLATE: .025 [.0010] - .050 [.0020] (PER SURFACE)
 TIN PLATE: .0005 [.00002] MINIMUM (PER SURFACE)

THIS DRAWING IS A CONTROLLED DOCUMENT.		DWN R.GRZYBOWSKI	03AUG07	Tyco Electronics Corporation Harrisburg, PA 17105-3608	
DIMENSIONS: mm		CHK S.FLICKINGER	03AUG07	NAME	
TOLERANCES UNLESS OTHERWISE SPECIFIED:		APVD S.FLICKINGER	03AUG07	CONNECTOR, SOCKET SIDE ENTRY CROWN EDGE	
0 PLC $\pm -$ 1 PLC $\pm .5$ [.020] 2 PLC $\pm .25$ [.010] 3 PLC $\pm -$ 4 PLC $\pm -$ ANGLES $\pm .5$		PRODUCT SPEC -		RESTRICTED TO -	
MATERIAL -		FINISH -		APPLICATION SPEC -	SIZE A3
		WEIGHT -		CAGE CODE 00779	DRAWING NO C-1926572
CUSTOMER DRAWING				SCALE 1:1	SHEET 3 OF 3
				REV A	