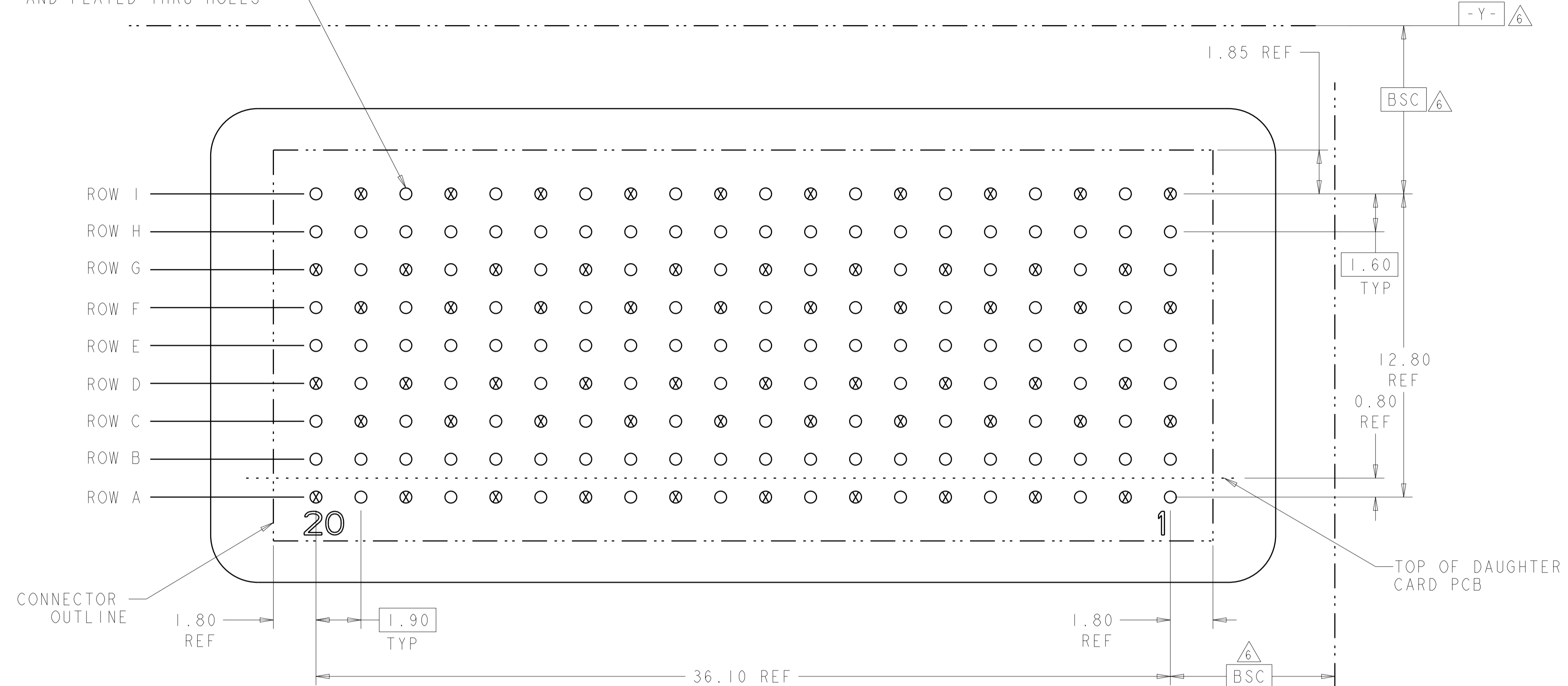
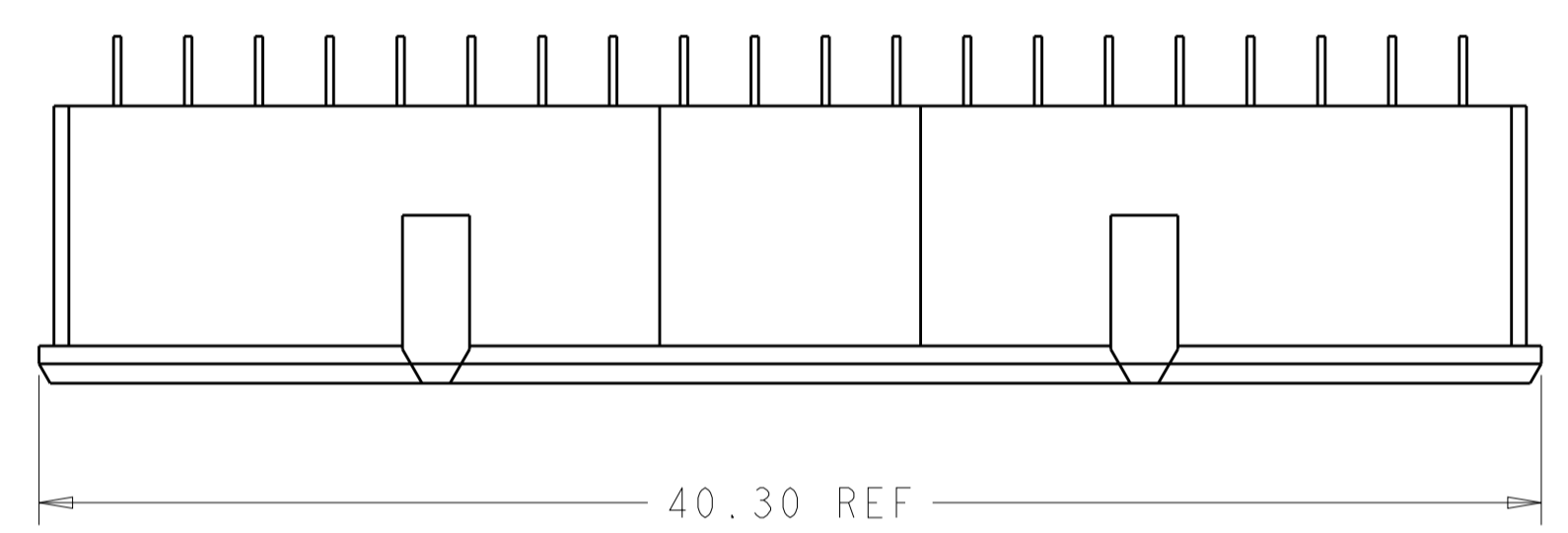


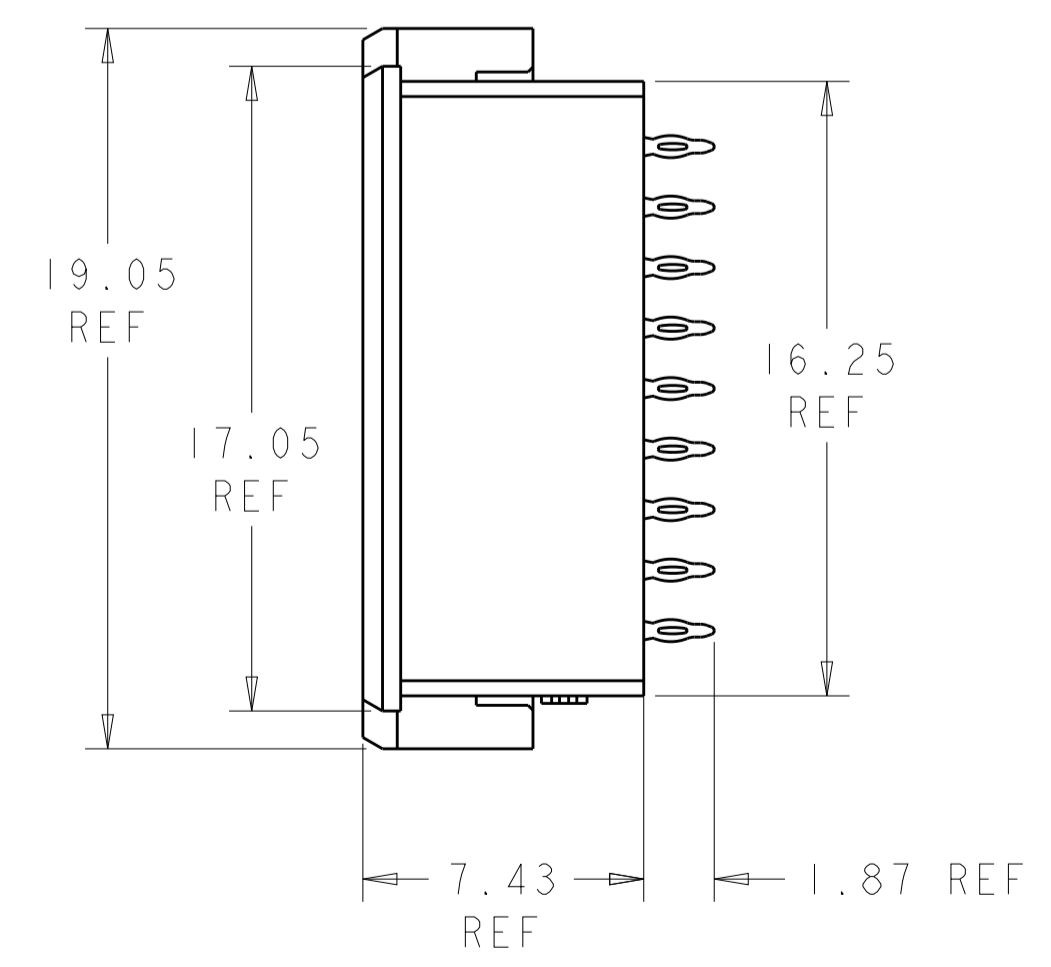
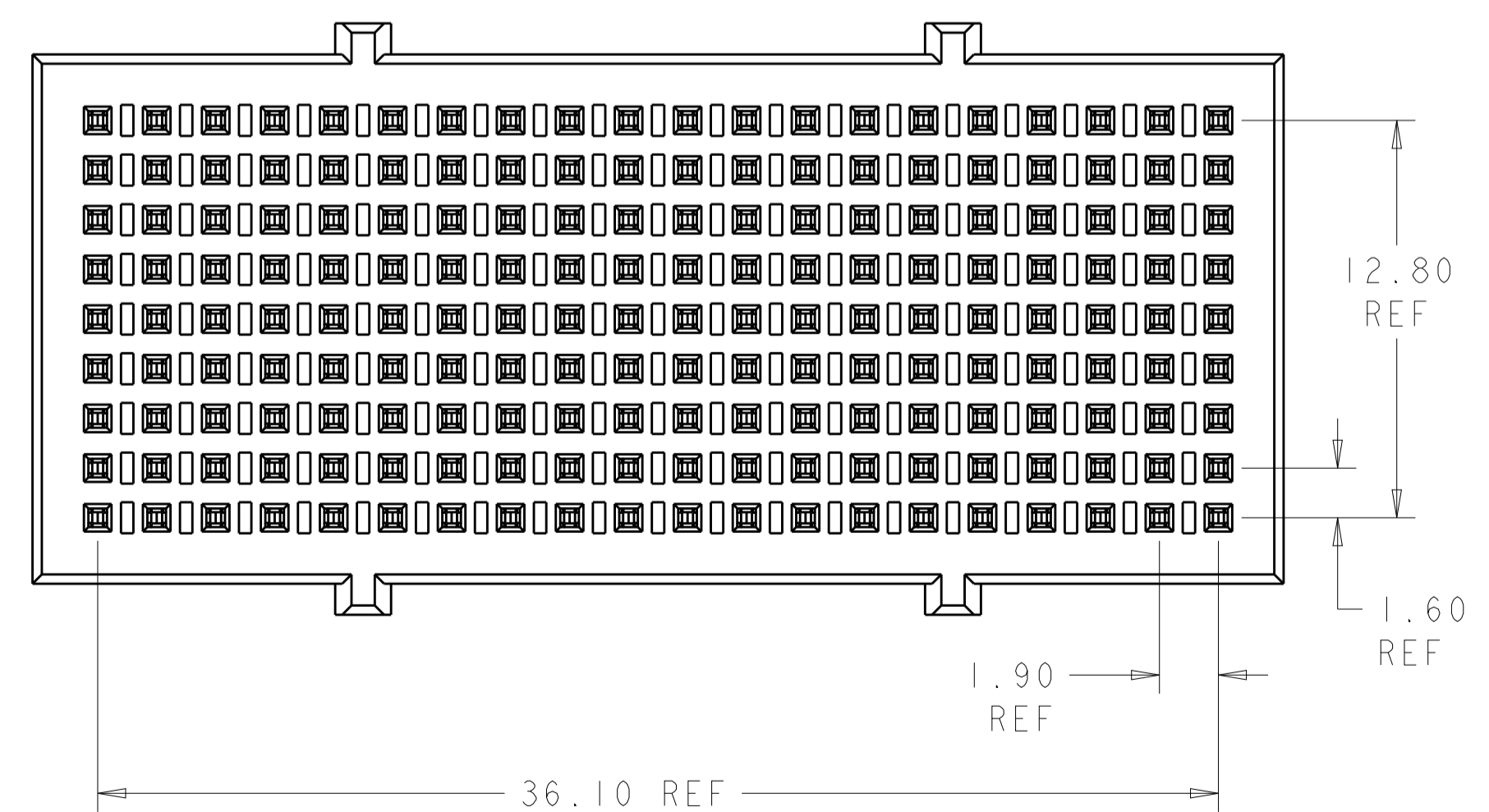
LOC	DIST	REV	LTN	DESCRIPTION	DATE	DMN	APVD
		C		REV PER ECO 13-001730	1-31-13	CT	DH
		D		ECO-13-004755	26MAR2013	KG	DH
		E		ECO-14-017030	25NOV2014	MGM	CT

$\oplus \varnothing 0.05 \text{ (S)} \text{ X Y}$
 FINISHED HOLE SIZE
 AND PLATED THRU HOLES



○ = SIGNAL
 ⊗ = GROUND

RECOMMENDED DIFFERENTIAL PAIR PC BOARD LAYOUT
 COMPONENT SIDE SHOWN
 SCALE 8:1



- 1 MATERIAL:
CONTACT - COPPER ALLOY
HOUSING - LCP, COLOR - BLACK
- 2 FINISH:
MATING AREA: 1.27μm MIN GOLD OVER
1.27μm MIN NICKEL
- 3 FINISH:
COMPLIANT PIN AREA: 0.38μm MIN BRIGHT TIN LEAD
OVER 1.27μm MIN NICKEL
- 4 FINISH:
COMPLIANT PIN AREA: 0.38μm MIN MATTE TIN
OVER 1.27μm MIN NICKEL
- 5 ---
- 6 DATUMS AND BASIC DIMENSIONS ESTABLISHED BY CUSTOMER.
- 7 REFERENCE APPLICATION SPEC 114-13267 FOR RECOMMENDED
PLATING THRU HOLE DIAMETER AND PLATING THICKNESS.

2, 4	2102161-2
2, 3	2102161-1
FINISH	PART NUMBER

THIS DRAWING IS A CONTROLLED DOCUMENT. DIMENSIONING AND TOLERANCING PER GPS-1150 STANDARDS.		DMN: D. BELACK 06 JUL 2009	TE Connectivity NAME: Fortis Zd, 3-PAIR, 20-COLUMN, VERTICAL, FULL SHROUD ASSEMBLY
DIMENSIONS: mm		CHK: A. TSANG 7-6-2009	
TOLERANCES UNLESS OTHERWISE SPECIFIED:		APVD: M. McALONIS 7-6-2009	PRODUCT SPEC: 108-2409
0 PLC	±	APPLICATION SPEC: 114-13267	SIZE: CAGE CODE: DRAWING NO: A100779C=2102161
1 PLC	±0.13	WEIGHT: 7.32g ±2%	RESTRICTED TO: -
2 PLC	±0.05	CUSTOMER DRAWING	SCALE: 5:1 SHEET 1 OF 1 REV E
3 PLC	±		
4 PLC	±		
ANGLES	±2°		
FINISH	-		