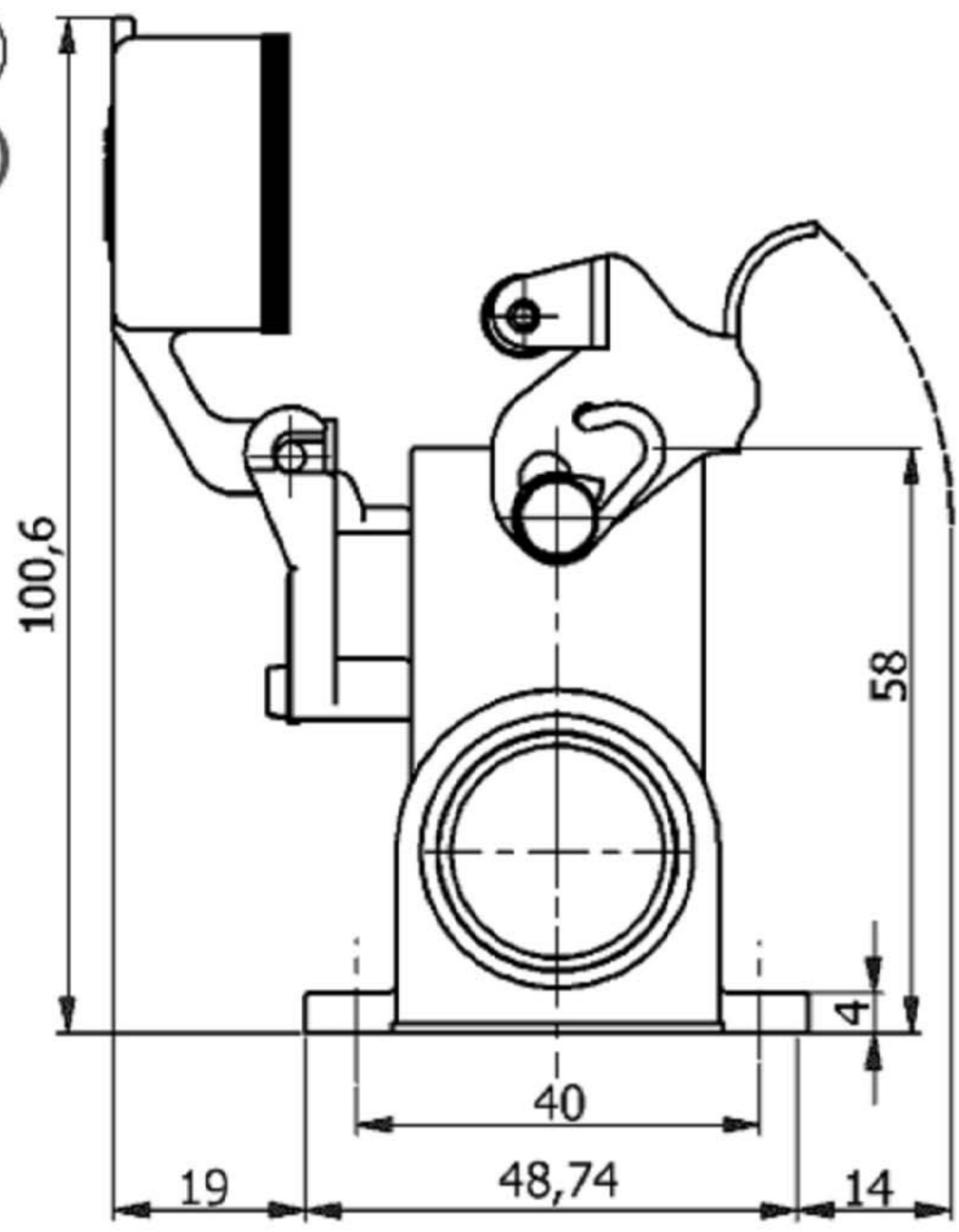
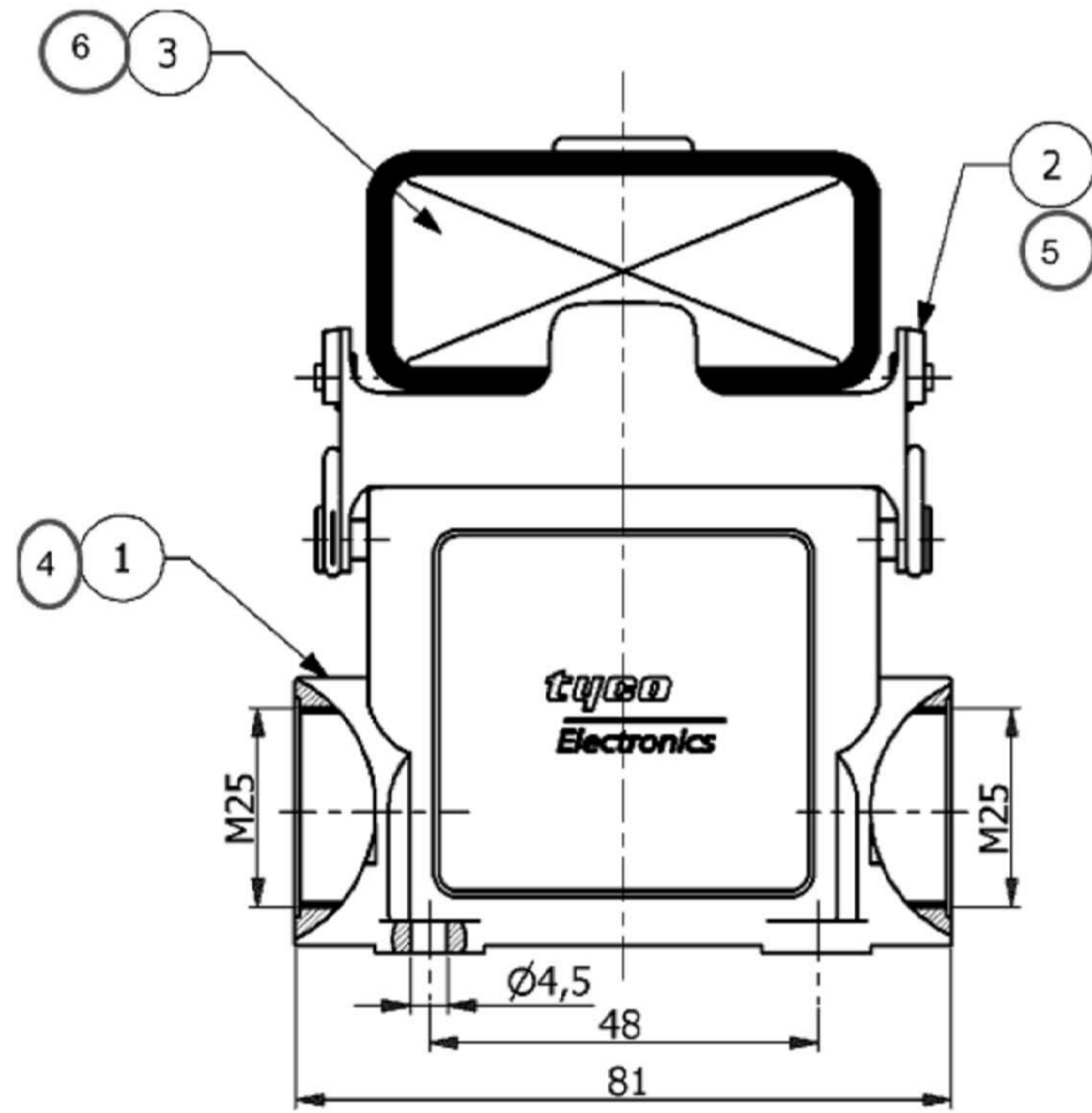


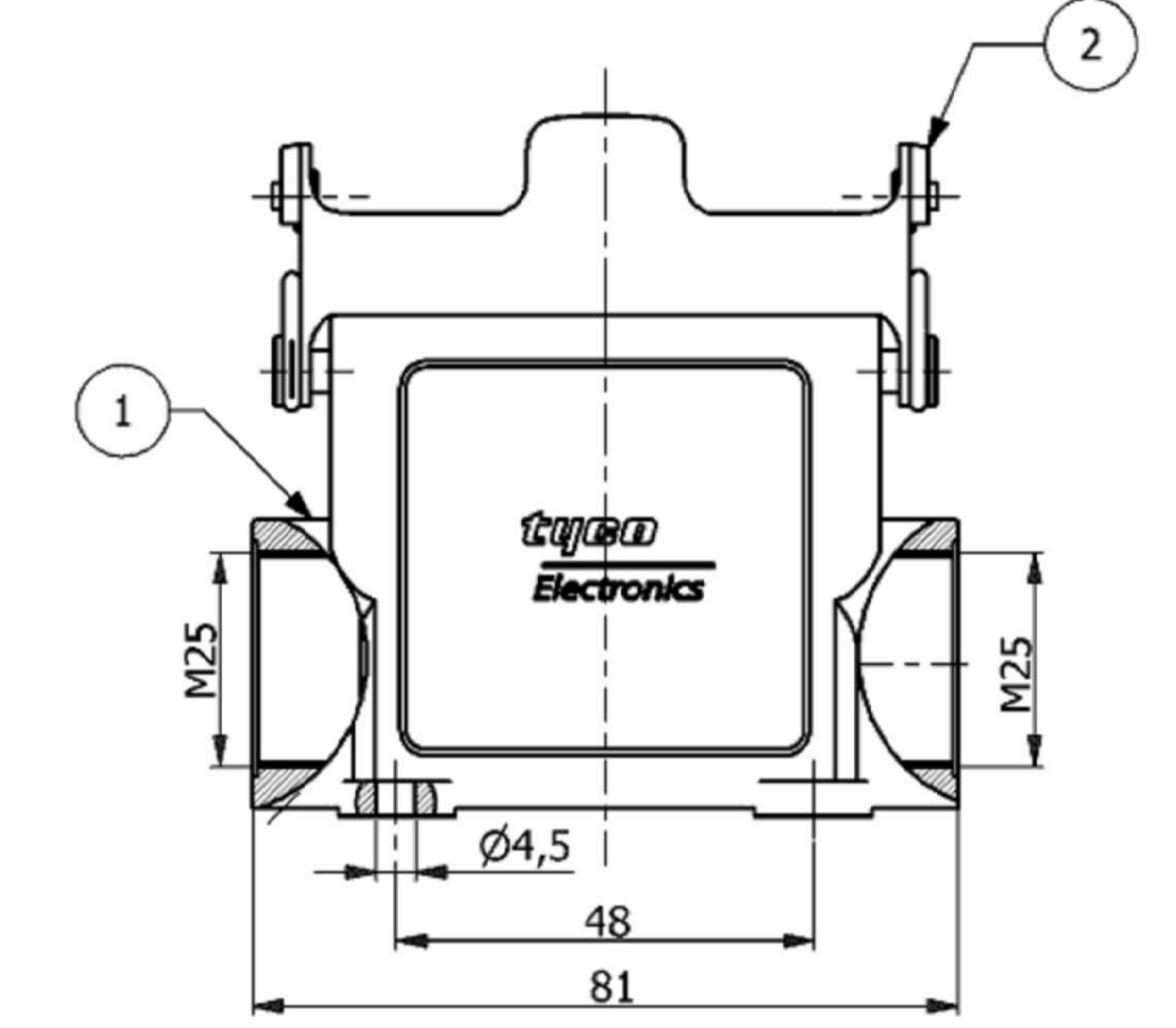
THIS DRAWING IS UNPUBLISHED. RELEASED FOR PUBLICATION
 © COPYRIGHT - By - ALL RIGHTS RESERVED.

MATED WITH:
 PASSEND ZU: BG2

REVISIONS					
P	LTR	DESCRIPTION	DATE	DWN	APVD
	B4	REVISED PER ECR-17-014013	12FEB2018	SRG	MKO

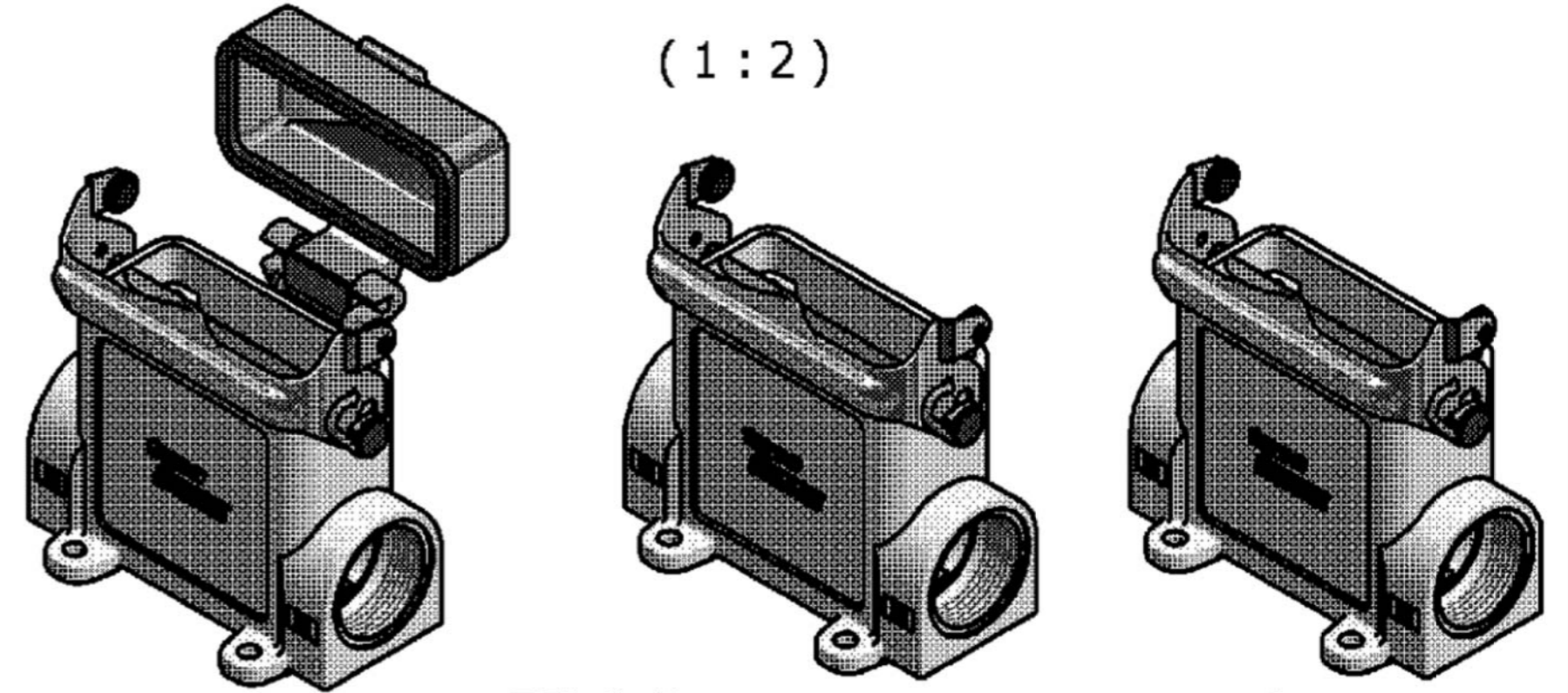


PN:0-1 AND 0-3 SHOWN



PN:0-2 AND 0-5 SHOWN

- NOTES:
1. PACKAGING QUANTITY: 5 PIECES PER BOX
 2. MATERIAL: HOUSING :ALUMINIUM DIE CAST ALLOY
 3. SURFACE:VARNISH GREY OR BLACK
 4. VARNISH ON THE INSIDE NOT NECESSARY
 5. SPECIAL PACKING
 6. OBSOLETE



PN:0-1
 Ordering Text:
 HD.15.SGD-LB 2 M25.G
 PN:0-3
 Ordering Text:
 HD-K.15.SGD-LB.2.M25.G

PN:0-2
 Ordering Text:
 HD.15.SG-LB 2 M25.G

PN:0-5
 Ordering Text:
 HD.15.SG-LB 2 M25.G.KM

QTY	DESCRIPTION	MATERIAL	SURFACE	COLOR	ITEM NO.	REMARKS
1	Cover, HA-K	Aluminium	Aluminium Oxide	Black	6	-
1	Clip	Stainless steel	-	-	5	-
1	Surface Mounted Housing Side Entry, HD-K	Aluminium	Aluminium Oxide	Black	4	-
-	Cover	Aluminium	-	Grey	3	-
1	Clip	Steel	Zinc Plated	Blue	2	-
1	Surface Mounted Housing Side Entry,HD	Aluminium	-	Grey	1	-

THIS DRAWING IS A CONTROLLED DOCUMENT.

DWN	R.SRINIVAS	25APR2006
CHK	R.SRINIVAS	25APR2006
APVD	T.SCHNURPFEL	25APR2006

TE Connectivity Ltd.

NAME: SURFACE MOUNTED HOUSING SIDE ENTRY
 HD.15.SG/SGD-LB.2.M25.G

PRODUCT SPEC: 108-74009
 APPLICATION SPEC: 114-74004

SIZE: A2 CAGE CODE: 00779 DRAWING NO: 1106413 RESTRICTED TO: -
 WEIGHT: CUSTOMER DRAWING SCALE: NTS SHEET: 1 of 1 REV: B4