

## Electronic housing - UM108-SEPEF/L-A60 - 2906500

Please be informed that the data shown in this PDF Document is generated from our Online Catalog. Please find the complete data in the user's documentation. Our General Terms of Use for Downloads are valid (<http://phoenixcontact.com/download>)



Side element with foot, tall design, left-hand, for 60 mm wide U-shaped cover, with PE contact to the DIN rail.



### Key commercial data

Packing unit	1 pc
Weight per Piece (excluding packing)	24.32 GRM
Custom tariff number	39269097
Country of origin	Poland

### Technical data

#### General

Housing type	Panel mounting base
Housing material	PA
Color	green

#### Technical data

Inflammability class according to UL 94	V0
---	----

### Classifications

#### eCl@ss

eCl@ss 4.0	27180401
eCl@ss 4.1	27180401
eCl@ss 5.0	27180506
eCl@ss 5.1	27180506
eCl@ss 6.0	27180802
eCl@ss 7.0	27182701

# Electronic housing - UM108-SEPEF/L-A60 - 2906500

## Classifications

### eCl@ss

eCl@ss 8.0	27182701
------------	----------

### ETIM

ETIM 2.0	EC001031
ETIM 3.0	EC001031
ETIM 4.0	EC001031
ETIM 5.0	EC000721

### UNSPSC

UNSPSC 6.01	31261501
UNSPSC 7.0901	31261501
UNSPSC 11	31261501
UNSPSC 12.01	31261501
UNSPSC 13.2	31261501

## Approvals

### Approvals

---

Approvals

UL Recognized

---


Ex Approvals

---

Approvals submitted

---

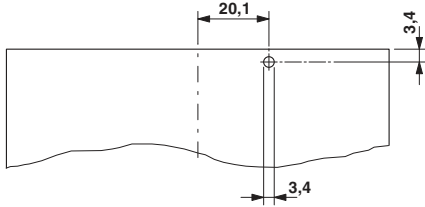
### Approval details

UL Recognized 
---

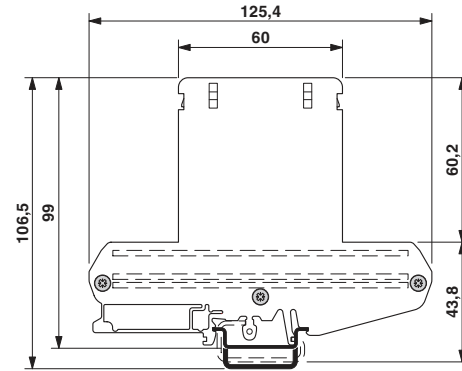
## Drawings

## Electronic housing - UM108-SEPEF/L-A60 - 2906500

Drilling diagram



Dimensioned drawing



Catalog photo

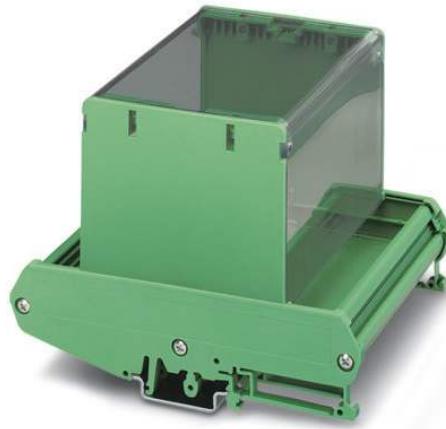


Figure may contain other products.