

HC-STA-B06-HHFS-1STM32-EL-AL - Housing



1412563

<https://www.phoenixcontact.com/us/products/1412563>

Please be informed that the data shown in this PDF document is generated from our online catalog. Please find the complete data in the user documentation. Our general terms of use for downloads are valid.



Sleeve housing B6, for single locking latch, material: Die-cast aluminum, salt water resistant, cable outlets: 1, lateral, 1x M32, height: 72 mm, cable gland: none, Standard

Your advantages

- Good shielding in the event of electromagnetic interference

Commercial data

Item number	1412563
Packing unit	1 pc
Minimum order quantity	1 pc
Sales key	BF56
Product key	BF7APB
Catalog page	Page 600 (C-2-2019)
GTIN	4055626059037
Weight per piece (including packing)	163.68 g
Weight per piece (excluding packing)	163.68 g
Customs tariff number	85389099
Country of origin	CN

1412563

<https://www.phoenixcontact.com/us/products/1412563>

Technical data

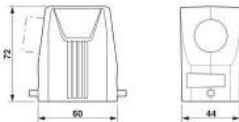
Notes

General	For contact inserts HC-B6, BB10, DD24, M Tall housings for extra large wiring space
General	also available as a powder-coated or color version: 1372580 HC-STA-B06-HHFS-1STM32-EL/...

Product properties

Type	B6
Product type	Housing with locking latch
Application	Standard
No. of cable outlets	1
Type of the screw connection	1x M32
Housing type	Sleeve housing
Cable outlet	lateral
Pg screw connection	none

Dimensions

Dimensional drawing	
Width	44 mm
Height	72 mm
Length	60 mm

Material specifications

Housing surface material	uncoated
Impact strength	IK08
Housing material	Die-cast aluminum, salt water resistant

Mechanical properties

Mechanical data

Type of the screw connection	1x M32
Locking type	Pin

Environmental and real-life conditions

Ambient conditions

Degree of protection	IP66
	IP67
	4 (UL 50e)

HC-STA-B06-HHFS-1STM32-EL-AL - Housing



1412563

<https://www.phoenixcontact.com/us/products/1412563>

Degree of protection (NEMA)	4X (UL 50e)
	12 (UL 50e)
Impact strength	IK08
Ambient temperature (operation)	-40 °C ... 125 °C

HC-STA-B06-HHFS-1STM32-EL-AL - Housing

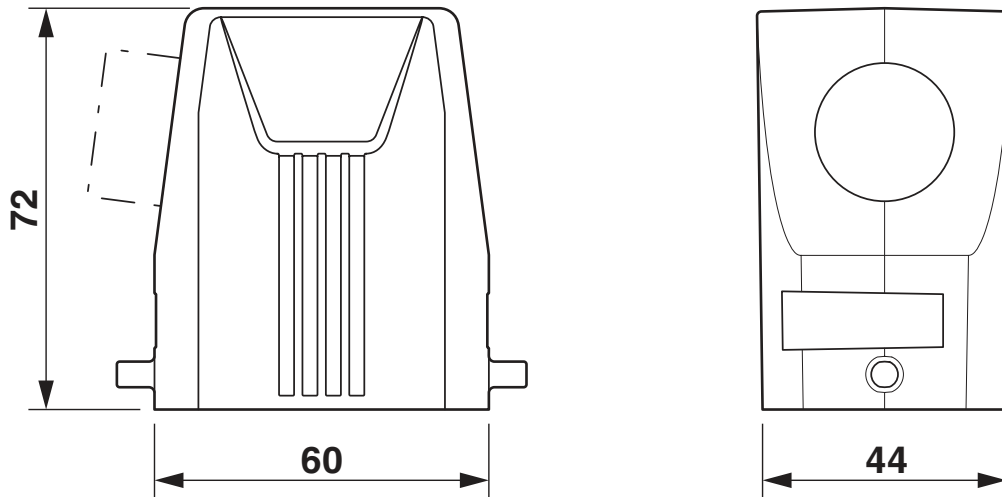
1412563

<https://www.phoenixcontact.com/us/products/1412563>



Drawings

Dimensional drawing



Dimensional drawing

1412563

<https://www.phoenixcontact.com/us/products/1412563>

Approvals

To download certificates, visit the product detail page: <https://www.phoenixcontact.com/us/products/1412563>

DNV

Approval ID: TAE000037S



cUL Recognized

Approval ID: E255026



UL Recognized

Approval ID: E255026



EAC

Approval ID: RU C-DE.AI30.B.01102



EAC

Approval ID: RU C-DE.BL08.B.00511

cULus Recognized

1412563

<https://www.phoenixcontact.com/us/products/1412563>

Classifications

ECLASS

ECLASS-11.0	27440202
ECLASS-12.0	27440202
ECLASS-13.0	27440202

ETIM

ETIM 8.0	EC000437
----------	----------

UNSPSC

UNSPSC 21.0	31261500
-------------	----------

HC-STA-B06-HHFS-1STM32-EL-AL - Housing



1412563

<https://www.phoenixcontact.com/us/products/1412563>

Environmental product compliance

China RoHS	Environmentally friendly use period: unlimited = EFUP-e
	No hazardous substances above threshold values

1412563

<https://www.phoenixcontact.com/us/products/1412563>

Accessories

G-INS-M32-M68N-NNES-S - Cable gland

1411166

<https://www.phoenixcontact.com/us/products/1411166>



Cable gland, material for screw connection: Brass, nickel-plated, external cable diameter 15 mm ... 21 mm, shielding: no, connecting thread: M32 x 1.5, color: silver, with O-ring

G-INSEC-M32-M68N-NCRS-S - Cable gland

1411191

<https://www.phoenixcontact.com/us/products/1411191>



Cable gland, material for screw connection: Brass, nickel-plated, external cable diameter 14 mm ... 21 mm, shielding: yes, connecting thread: M32 x 1.5, color: silver, with O-ring

HC-STA-B06-HHFS-1STM32-EL-AL - Housing

1412563

<https://www.phoenixcontact.com/us/products/1412563>



US-EMLP (20X9) CUS - Plastic label

0830085

<https://www.phoenixcontact.com/us/products/0830085>

Plastic label, can be ordered: by card, white, labeled according to customer specifications, mounting type: adhesive, lettering field size: 20 x 9 mm, Number of individual labels: 75



HC-B06-HCWS-PLR-BK - Protective cover

1346525

<https://www.phoenixcontact.com/us/products/1346525>

Protective cover B6, with single locking latch, protective cover material: PC, height: 26.3 mm, seal: yes



HC-STA-B06-HHFS-1STM32-EL-AL - Housing



1412563

<https://www.phoenixcontact.com/us/products/1412563>

US-EMLP-HA (20X9) - Plastic label

0830989

<https://www.phoenixcontact.com/us/products/0830989>



Plastic label, Card, white, unlabeled, can be labeled with: BLUEMARK ID COLOR, BLUEMARK ID, THERMOMARK PRIME, THERMOMARK CARD 2.0, THERMOMARK CARD, mounting type: adhesive, lettering field size: 20 x 9 mm, Number of individual labels: 70

WP-G HF IP66 M32 BK - Screw connection

3240900

<https://www.phoenixcontact.com/us/products/3240900>



Cable gland, metric thread, IP66 protection, straight

HC-STA-B06-HHFS-1STM32-EL-AL - Housing

1412563

<https://www.phoenixcontact.com/us/products/1412563>

WP-G HF IP69K M32 BK - Screw connection

3240886

<https://www.phoenixcontact.com/us/products/3240886>



Cable gland, metric thread, IP68/69k protection, straight

WP-GA HF IP66 M32 BK - Screw connection

3240928

<https://www.phoenixcontact.com/us/products/3240928>



Cable gland, metric thread, IP66 protection, angled

HC-STA-B06-HHFS-1STM32-EL-AL - Housing

1412563

<https://www.phoenixcontact.com/us/products/1412563>



WP-GA HF IP69K M32 BK - Screw connection

3240914

<https://www.phoenixcontact.com/us/products/3240914>

Cable gland, metric thread, IP68/69k protection, angled



WP-GR HF IP66 M32 BK - Screw connection

3240956

<https://www.phoenixcontact.com/us/products/3240956>

Cable gland, metric thread, IP66 protection, with strain relief



HC-STA-B06-HHFS-1STM32-EL-AL - Housing

1412563

<https://www.phoenixcontact.com/us/products/1412563>



WP-GR HF IP69K M32 BK - Screw connection

3240942

<https://www.phoenixcontact.com/us/products/3240942>



Cable gland, metric thread, IP68/69k protection, with strain relief

WP-G PP HF M32 - Screw connection

3241000

<https://www.phoenixcontact.com/us/products/3241000>



Cable gland made from PP with metric thread, IP65 protection

HC-STA-B06-HHFS-1STM32-EL-AL - Housing

1412563

<https://www.phoenixcontact.com/us/products/1412563>

WP-GT PP HF M32 - Screw connection

3241014

<https://www.phoenixcontact.com/us/products/3241014>



Cable gland made from PP with metric thread, rotatable, IP54 protection

WP-G BRASS IP40 M32 - Screw connection

3241049

<https://www.phoenixcontact.com/us/products/3241049>



Cable gland made from brass with metric thread, IP40 protection

HC-STA-B06-HHFS-1STM32-EL-AL - Housing



1412563

<https://www.phoenixcontact.com/us/products/1412563>

WP-GT BRASS M32 - Screw connection

3241035

<https://www.phoenixcontact.com/us/products/3241035>

Cable gland made from brass with metric thread, rotatable, IP40 protection



WP-G BRASS IP65 M32 - Screw connection

3241063

<https://www.phoenixcontact.com/us/products/3241063>

Cable gland made from brass with metric thread, IP65 protection



Phoenix Contact 2023 © - all rights reserved
<https://www.phoenixcontact.com>

Phoenix Contact USA
586 Fulling Mill Road
Middletown, PA 17057, United States
(+717) 944-1300
info@phoenixcon.com