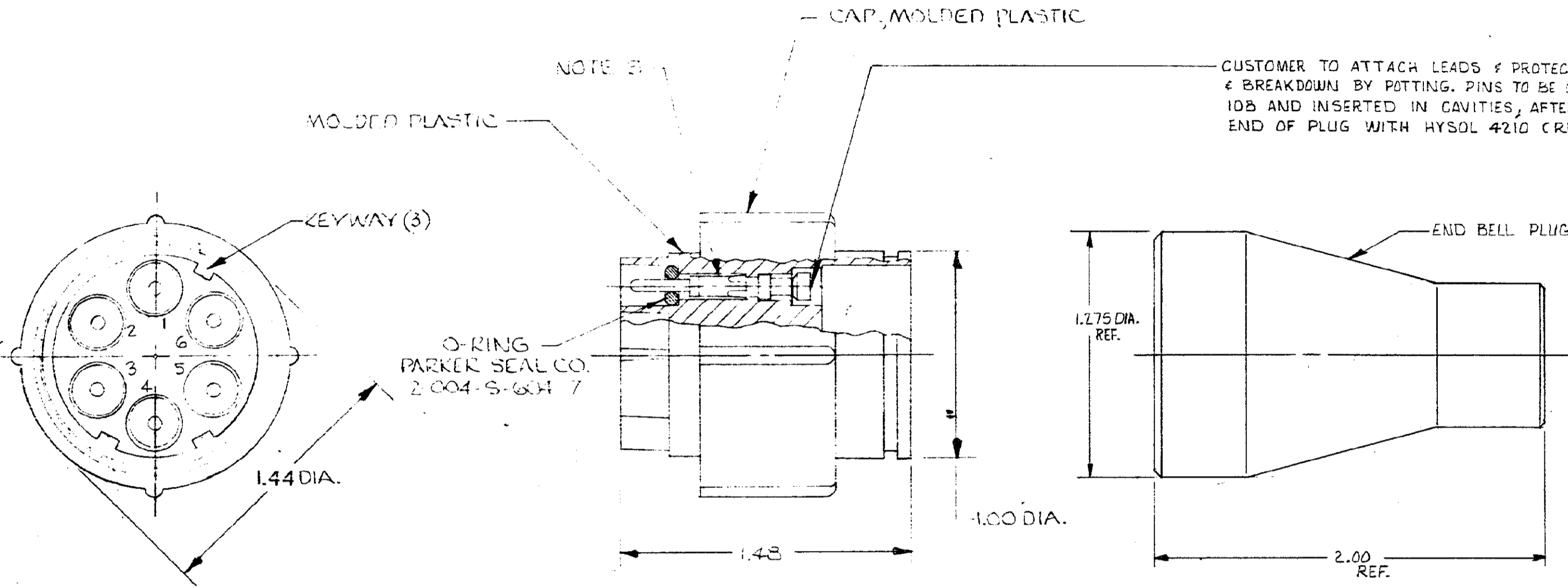


DRAWING MADE IN AMERICAN PROJECTION

© 1976 BY AMP INCORPORATED. ALL RIGHTS RESERVED. AMP PRODUCTS COVERED BY PATENTS AND/OR PATENTS PENDING.

Unpublished copy may be reproduced for publication without written permission of AMP Incorporated.

REVISIONS				
ZONE	LTR	DESCRIPTION	DATE	APPROVED
A		IDENT CODE WAS 89110, ECN 8627, DS	2-5-79	M.H.



TYPE II PINS TO EXCEPT ONE (1) 14-AWG STRANDED WIRE.

- NOTE:
1. PLUG ASS'Y WILL WITHSTAND WITHOUT BREAKDOWN 27 KVDC PIN TO PIN & 27 KVDC PIN TO GRD. WHEN MATED WITH RECEPTACLE 859527-1.
 2. MARKING TO BE WHITE
 3. *16 GA. PINS GOLD PLATED PER MIL-G-45204 TYPE II .000050 MIN THK.
 4. PLUG & PINS TO BE SHIPPED SEPARATELY.
 5. TYPE II PINS TO EXCEPT ONE (1) *22, *24 OR *20 AWG STRANDED WIRE
 6. TYPE II PINS TO EXCEPT ONE (1) *16 AWG OR (1) 18 AWG STRANDED WIRE
 7. TO REMOVE PINS USE EXTRACTION TOOL *SG1751-1

AMP PART NO.	WIRE SIZE RANGE	HAND TOOL
863023-1	20, 22, 24	45099
863023-2	16, 18	45098
863023-3	14	45098

QTY REQD	QTY REQD	ITEM NO.	DWG SIZE	PART OR IDENTIFYING NO.	NOMENCLATURE OR DESCRIPTION	SYMBOL
-2	-1					

UNLESS OTHERWISE SPECIFIED: DIMENSIONS ARE IN INCHES TOLERANCES .00 = ±.04 .000 = ±.015		CONTRACT NO. DP DICK STONE 3-1-76 CHK	
MATERIAL:		AMP INCORPORATED CAPITRON DIVISION ELIZABETHTOWN, PENNSYLVANIA	
FINISH: BLACK		NAME PLUG ASS'Y, H.V. 6 PIN LGH	
OTHER APPD		SIZE C	CODE IDENT NO. 00779
NEXT ASSY		NUMBER 863023	SHEET 1 OF 1