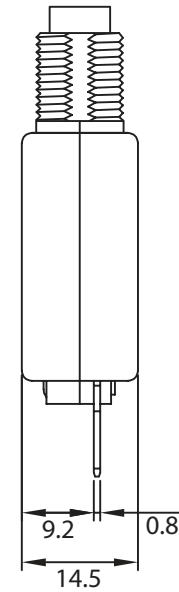
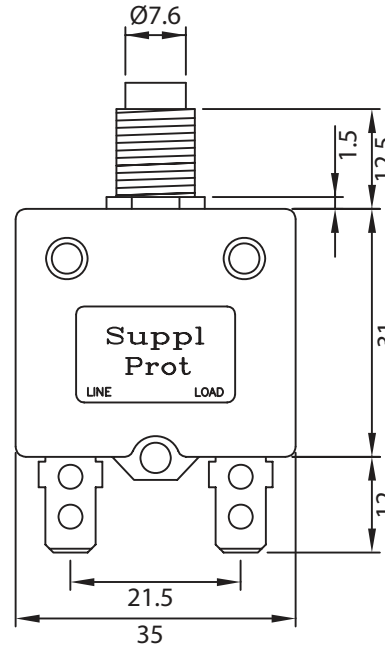
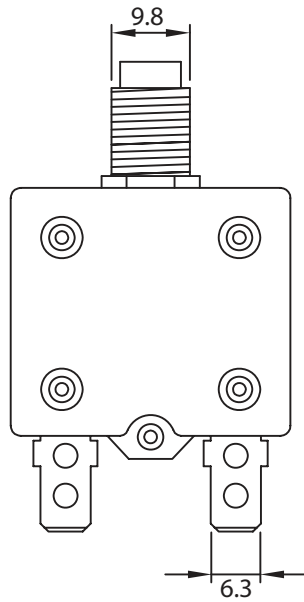
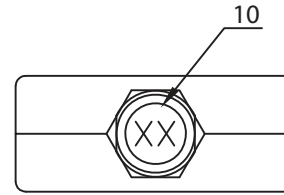
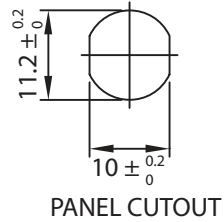


THESE DRAWINGS ARE THE PROPERTY OF QUALTEK ELECTRONICS AND NOT TO BE REPRODUCED FOR OR COMMUNICATED TO A THIRD PARTY WITHOUT THE EXPRESS WRITTEN PERMISSION OF AN OFFICER OF QUALTEK ELECTRONICS.

REVISION			
REV.	DESCRIPTION	DATE	APPROVED
B	Added Dimensions	09-09-08	LY



**CONTROLLED**

NOTES:

RATING: 10A 125-250V AC/32V DC  
 APPROVALS: UL, cUL, TUV, CCC, CE  
 RoHS COMPLIANT

Dim range (mm)	Tolerance +/- (mm)	Qualtek Electronics Corp. PPC DIVISION		
		Part Number: QLB-103-11B3N-3BA	RoHS Compliant	
0-1	0.15	Description: CIRCUIT BREAKER		
1-6	0.20	UNIT: mm	REV. B	
6-18	0.30		Approved / Date	
18-50	0.50	Drawn / Date	Checked / Date	Approved / Date
50-120	0.70	R.Nuti	06-03-08	LY / 06-03-08
120-250	0.90	06-03-08	06-03-08	LY / 06-03-08
250-500	1.20			