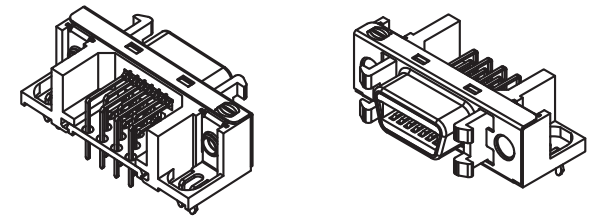
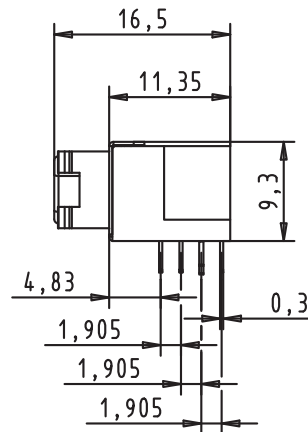
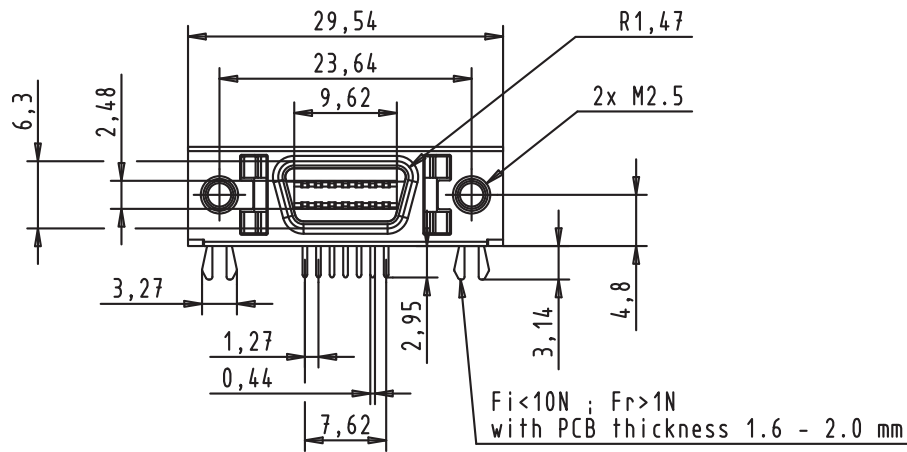



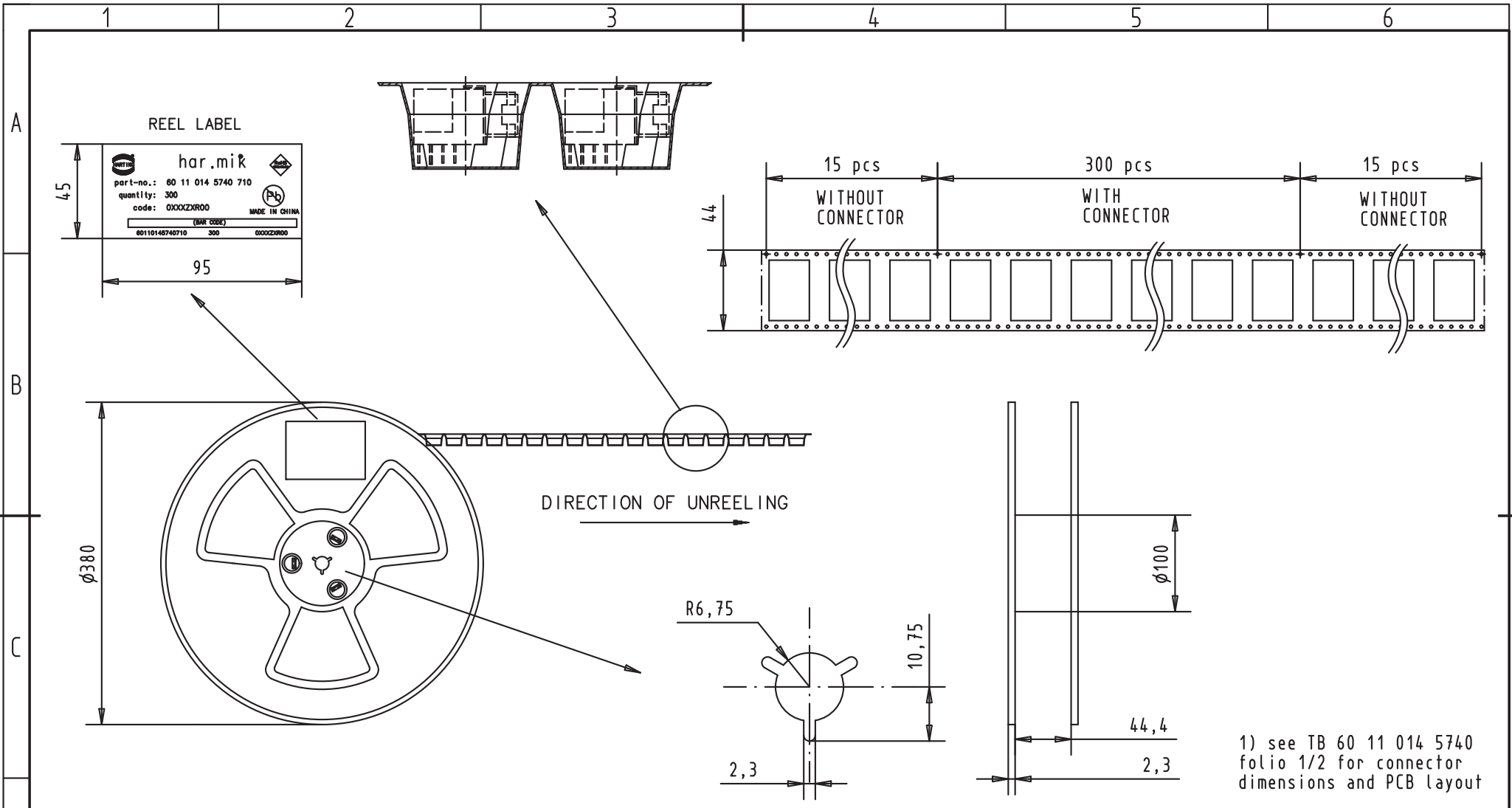
PCB Layout: component side



According to IEC 61076-3-100

1) see TB 60 11 014 5740 folio 2/2 for reel packaging

				Det.	Name	 har.mik® I/O bellow 14 poles female SMC with angled solder pins, boardlocks, fixed latches	Maßstab/ Scale
			Detail.	11Jul2006	ED		1.5:1
			Insp.				
33811	18Oct2006	ED	Stand.			TB 60 11 014 5740 Sub.	Blatt/ Page 1 / 2
33795	07Aug2006	ED	HARTING EURL F-95972 Paris				
33781	12Jul2006	ED					
Mod.	Det.	Name					



1) see TB 60 11 014 5740 folio 1/2 for connector dimensions and PCB layout

Packaging in accordance with EIA 481-2-A tape & reel packaging for grimping process

				Det.	Name	 All Dim. in mm Orig. Size DIN A 4	har.mik® I/O bellow 14 poles female SMC with angled solder pins, boardlocks, fixed latches in reel unit packaging	Maßstab/ Scale	
			Detail.	180ct+2006	ED				
			Insp.						
			Stand.						
60 11 014 5740.710	in reel unit packaging 300 connectors	33811	180ct+2006	ED	HARTING F-95972 Paris		TB 60 11 014 5740	Blatt/ Page 2 / 2	
Part Number	Index Designation	Mod.	Det.	Name					

Sub.